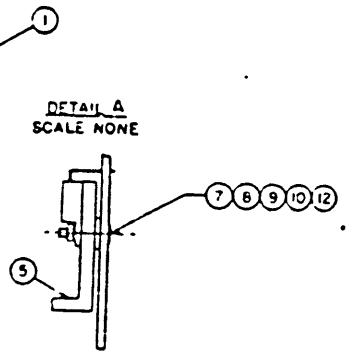
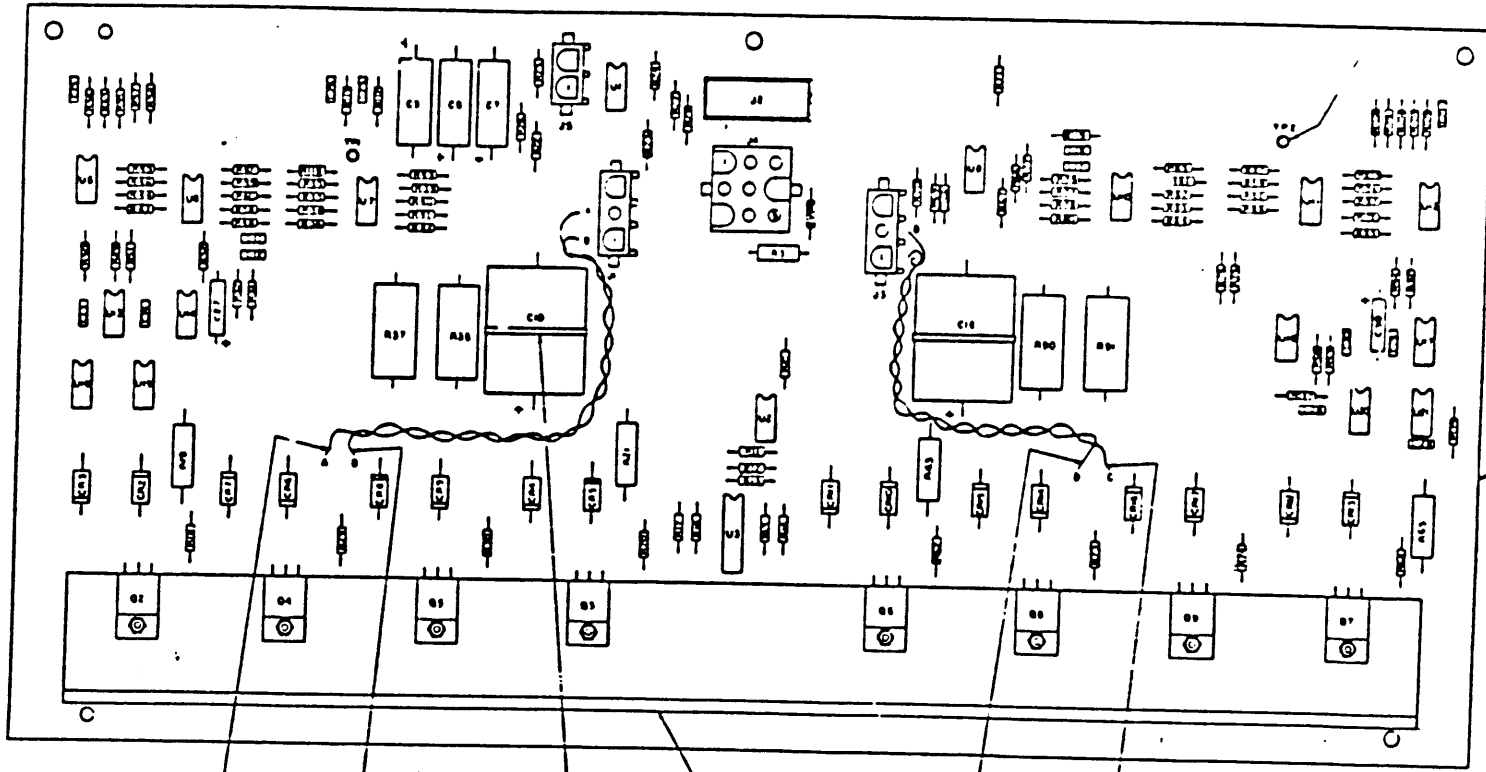


C-UA-2924707-0-0	PWA MSCP	A
C-CS-2924707-0-1	PWA MSCP	A
C-UA-2924708-0-0	FORMATTER WRITE	A
C-CS-2924708-0-1	FORMATTER WRITE	A
C-UA-2924709-0-0	FORMATTER READ	A
C-CS-2924709-0-1	FORMATTER READ	A
C-CS-2924227-0-0	LINE FILTER	A
C-UA-2924227-0-0	LINE FILTER	A
C-IC-3020483-0-0	TAPE TRANSPORT (IC)	A

TITLE: TUB1 MAINTENANCE PRINT SET	SHEET 2 OF 2	SIZE B	CODE TC	NUMBER TUB1-0-DBU	REV. B
--------------------------------------	--------------	-----------	------------	----------------------	-----------

REV	DATE	BY	CHKD	DESCRIPTION
1				ISSUED FOR FAB
2				REVISION
3				REVISION
4				REVISION
5				REVISION
6				REVISION
7				REVISION
8				REVISION
9				REVISION
10				REVISION
11				REVISION
12				REVISION
13				REVISION
14				REVISION
15				REVISION
16				REVISION
17				REVISION
18				REVISION
19				REVISION
20				REVISION

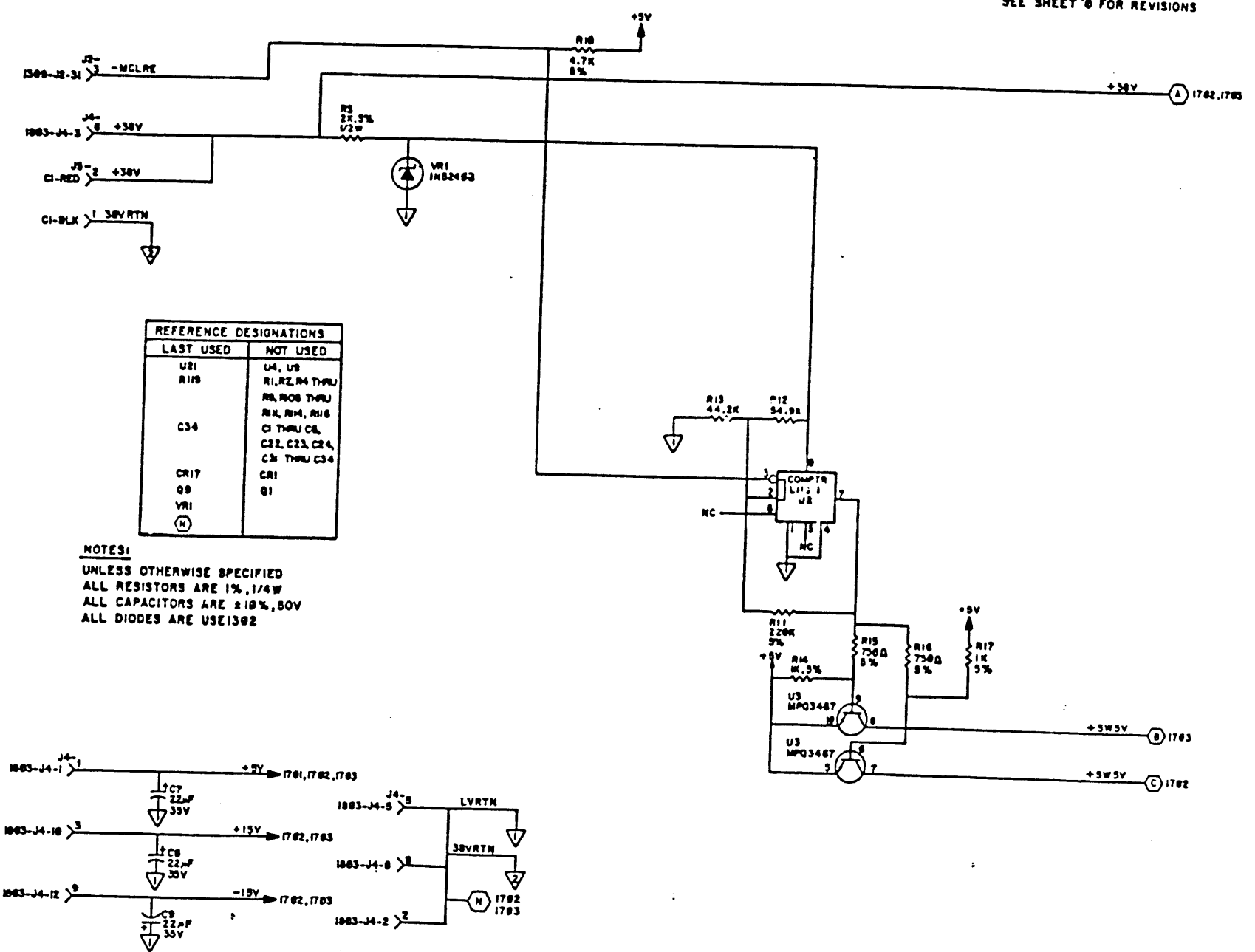


PL 7704119193	DS77041190	DN77041190	TTG312-1G0	PWA	POWER DRIVER-10 AMP																																																																																																										
<table border="1"> <tr> <th>REV</th> <th>DATE</th> <th>BY</th> <th>CHKD</th> <th>DESCRIPTION</th> </tr> <tr> <td>1</td> <td></td> <td></td> <td></td> <td>ISSUED FOR FAB</td> </tr> <tr> <td>2</td> <td></td> <td></td> <td></td> <td>REVISION</td> </tr> <tr> <td>3</td> <td></td> <td></td> <td></td> <td>REVISION</td> </tr> <tr> <td>4</td> <td></td> <td></td> <td></td> <td>REVISION</td> </tr> <tr> <td>5</td> <td></td> <td></td> <td></td> <td>REVISION</td> </tr> <tr> <td>6</td> <td></td> <td></td> <td></td> <td>REVISION</td> </tr> <tr> <td>7</td> <td></td> <td></td> <td></td> <td>REVISION</td> </tr> <tr> <td>8</td> <td></td> <td></td> <td></td> <td>REVISION</td> </tr> <tr> <td>9</td> <td></td> <td></td> <td></td> <td>REVISION</td> </tr> <tr> <td>10</td> <td></td> <td></td> <td></td> <td>REVISION</td> </tr> <tr> <td>11</td> <td></td> <td></td> <td></td> <td>REVISION</td> </tr> <tr> <td>12</td> <td></td> <td></td> <td></td> <td>REVISION</td> </tr> <tr> <td>13</td> <td></td> <td></td> <td></td> <td>REVISION</td> </tr> <tr> <td>14</td> <td></td> <td></td> <td></td> <td>REVISION</td> </tr> <tr> <td>15</td> <td></td> <td></td> <td></td> <td>REVISION</td> </tr> <tr> <td>16</td> <td></td> <td></td> <td></td> <td>REVISION</td> </tr> <tr> <td>17</td> <td></td> <td></td> <td></td> <td>REVISION</td> </tr> <tr> <td>18</td> <td></td> <td></td> <td></td> <td>REVISION</td> </tr> <tr> <td>19</td> <td></td> <td></td> <td></td> <td>REVISION</td> </tr> <tr> <td>20</td> <td></td> <td></td> <td></td> <td>REVISION</td> </tr> </table>			REV	DATE	BY	CHKD	DESCRIPTION	1				ISSUED FOR FAB	2				REVISION	3				REVISION	4				REVISION	5				REVISION	6				REVISION	7				REVISION	8				REVISION	9				REVISION	10				REVISION	11				REVISION	12				REVISION	13				REVISION	14				REVISION	15				REVISION	16				REVISION	17				REVISION	18				REVISION	19				REVISION	20				REVISION	D	1/A	2924229-01	B
REV	DATE	BY	CHKD	DESCRIPTION																																																																																																											
1				ISSUED FOR FAB																																																																																																											
2				REVISION																																																																																																											
3				REVISION																																																																																																											
4				REVISION																																																																																																											
5				REVISION																																																																																																											
6				REVISION																																																																																																											
7				REVISION																																																																																																											
8				REVISION																																																																																																											
9				REVISION																																																																																																											
10				REVISION																																																																																																											
11				REVISION																																																																																																											
12				REVISION																																																																																																											
13				REVISION																																																																																																											
14				REVISION																																																																																																											
15				REVISION																																																																																																											
16				REVISION																																																																																																											
17				REVISION																																																																																																											
18				REVISION																																																																																																											
19				REVISION																																																																																																											
20				REVISION																																																																																																											
			2/1	SHR																																																																																																											

THE DIMENSIONS AND SPECIFICATIONS HEREIN ARE THE PROPERTY OF THE U.S. GOVERNMENT AND SHALL NOT BE REPRODUCED OR COPIED IN WHOLE OR IN PART AS THE BASIS FOR THE MANUFACTURE OF ANY DEVICE WITHOUT WRITTEN PERMISSION. DEPARTMENT OF DEFENSE, WASHINGTON, D.C. 20340

1-0-224223-0-1

SEE SHEET '0' FOR REVISIONS



REFERENCE DESIGNATIONS	
LAST USED	NOT USED
U1	U4, U8
R10	R1, R2, R4 THRU R8, R10 THRU R16
C34	C1 THRU C6, C8, C9, C14, C15 THRU C18
CR17	CR1
Q9	Q1
V1	

NOTES:
UNLESS OTHERWISE SPECIFIED
ALL RESISTORS ARE 1%, 1/4 W
ALL CAPACITORS ARE ±10%, 50V
ALL DIODES ARE USE1302

REV	REV
INITIAL	DATE
2924223-0-1	10/24/64
SHOULB	
SHOULB	
SHOULB	
SHOULB	

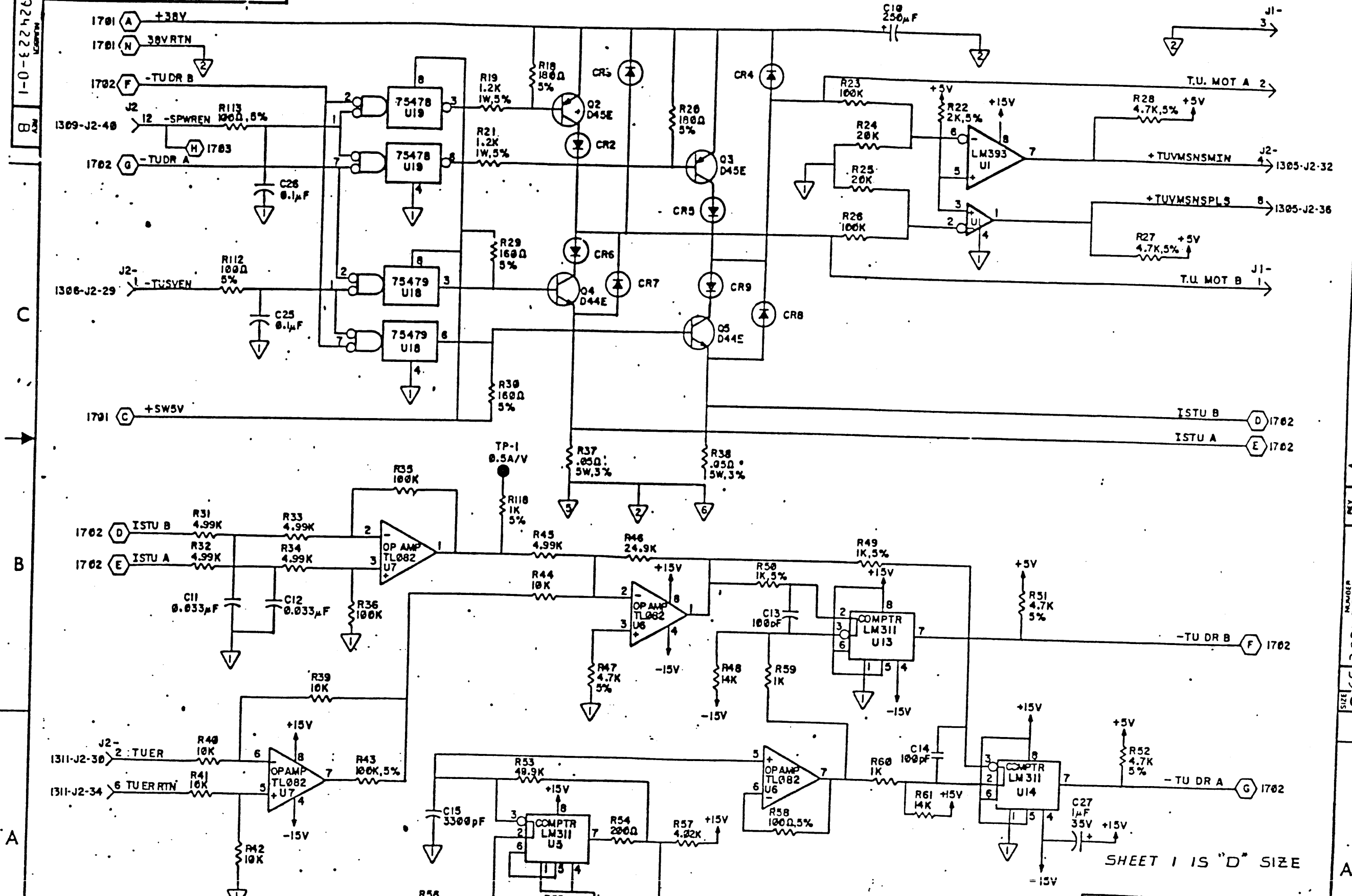
SHEETS 2 AND 3 ARE "C" SIZE
77022370

DRN: P. H. H. H.	DATE: 10/24/64	FIRST USED ON: digital
CHK'D: P. H. H. H.	DATE: 10/24/64	TITLE: POWER DRIVER 10 AMP
PROJ. ENG: P. H. H. H.	DATE: 10/24/64	SCALE: D
PROD.:		NUMBER: 2924223-0-1
NEXT HIGHER ASSY.:		REV. B
SIZE: D	CODE: KS	SHEET 1 OF 3
DIST.:		SHR 1

C/S 2924223-0-1

THE DRAWING AND SPECIFICATIONS HEREIN ARE THE PROPERTY OF DIGITAL EQUIPMENT CORPORATION AND SHALL NOT BE REPRODUCED OR COPIED OR USED IN WHOLE OR IN PART AS THE BASIS FOR THE MANUFACTURE OR SALE OF ITEMS WITHOUT WRITTEN PERMISSION.
 COPYRIGHT © 1984 DIGITAL EQUIPMENT CORPORATION

SEE SHEET '0' FOR REVISIONS



A

B

C

D

A

B

C

D

TITLE
 POWER DRIVER 10AMP

DOCUMENT NUMBER		CD	REV.
SIZE	CODE	NUMBER	
C	CS	2924223-0-1	B
CROSS REF NO.	SHEET 2 OF 3		PAGE
1702			

LOC. ARI

SHEET 1 IS "D" SIZE

DWG 1118

4

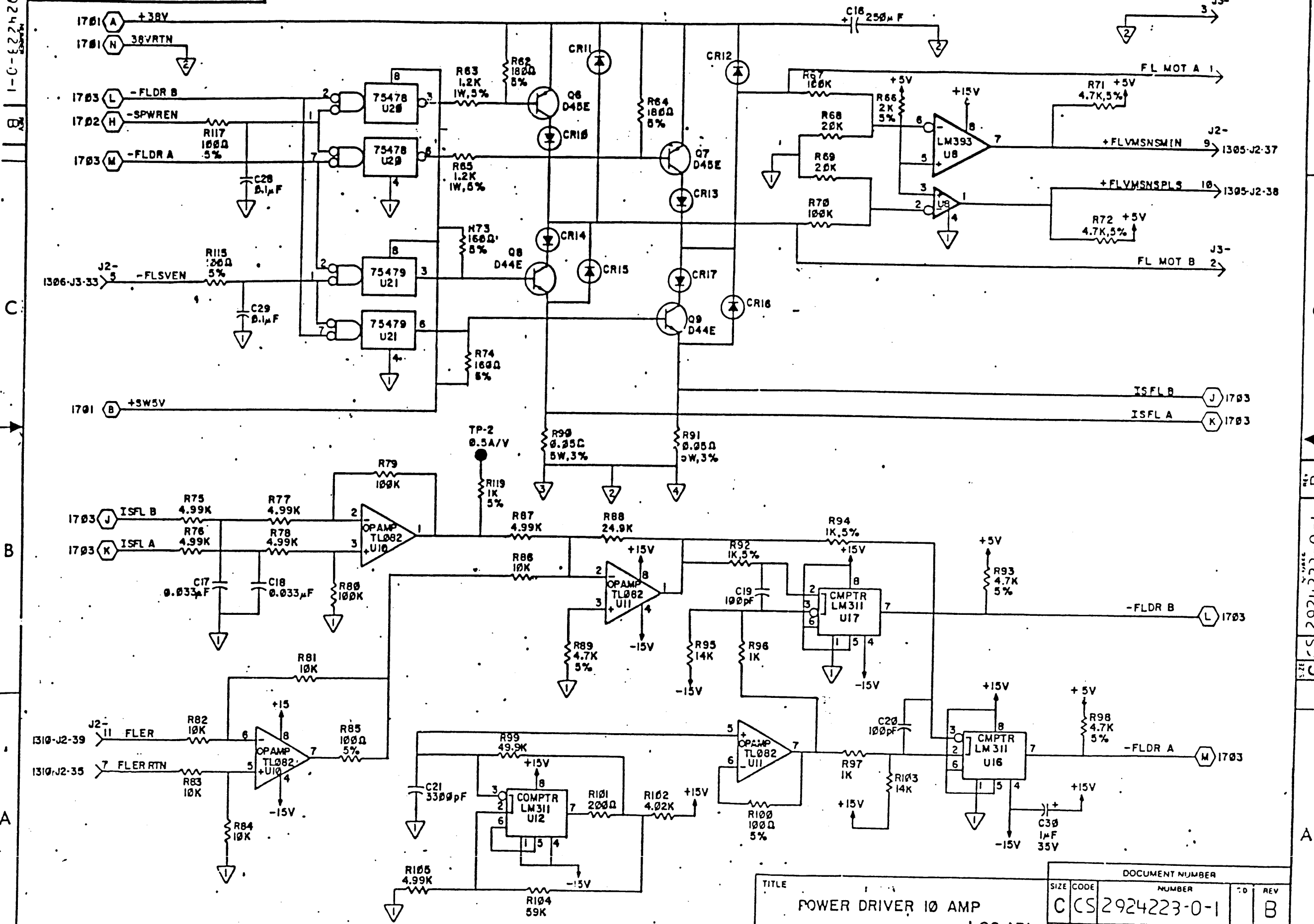
3

4

2024h262
 1-C-4223-0-1
 1703

THIS DRAWING AND SPECIFICATIONS HEREIN ARE THE PROPERTY OF DIGITAL EQUIPMENT CORPORATION AND SHALL NOT BE REPRODUCED OR COPIED OR USED IN WHOLE OR IN PART AS THE BASIS FOR THE MANUFACTURE OR SALE OF ITEMS WITHOUT WRITTEN PERMISSION.
 COPYRIGHT © 1984 DIGITAL EQUIPMENT CORPORATION

SEE SHEET 0 FOR REVISIONS



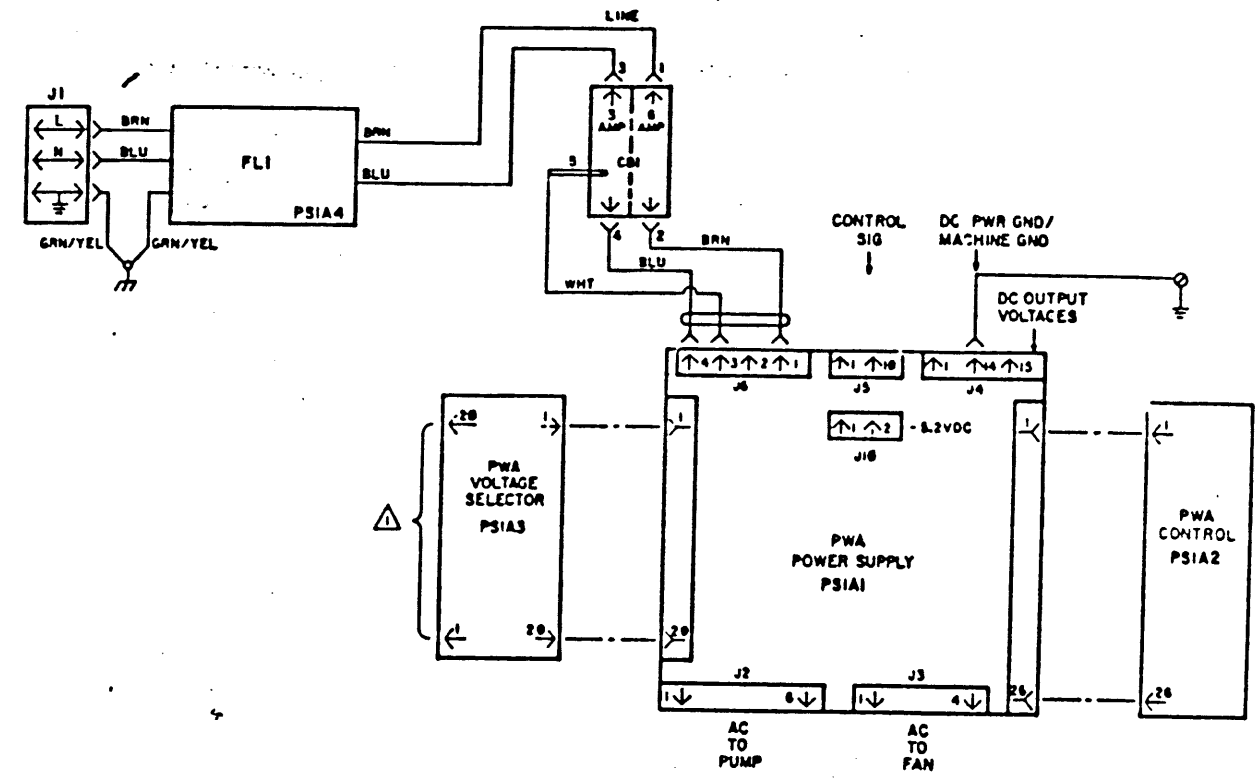
TITLE		DOCUMENT NUMBER	
POWER DRIVER 10 AMP		SIZE	CODE
LOC. ARI		C	CS 2924223-0-1
CROSS REF. NO.	SHEET	OF	PAGE
1703	3	3	B

1703
 1-C-4223-0-1
 1703

THIS DRAWING AND SPECIFICATIONS HEREBY ARE THE PROPERTY OF PENTAC (EMPRES) CORPORATION AND SHALL NOT BE REPRODUCED OR COPIED IN WHOLE OR IN PART AS THE BASIS FOR THE MANUFACTURE OR SALE OF ITEMS WITHOUT WRITTEN PERMISSION. COPYRIGHT © 1984 - DIGITAL EQUIPMENT CORPORATION

0-0-6524262 2

SEE SHEET 'B' FOR REVISIONS



△ BOARD FLIPS FOR 120V,60HZ, OR 220V,50HZ

SHEETS 2 THRU 4 ARE "C" SIZE

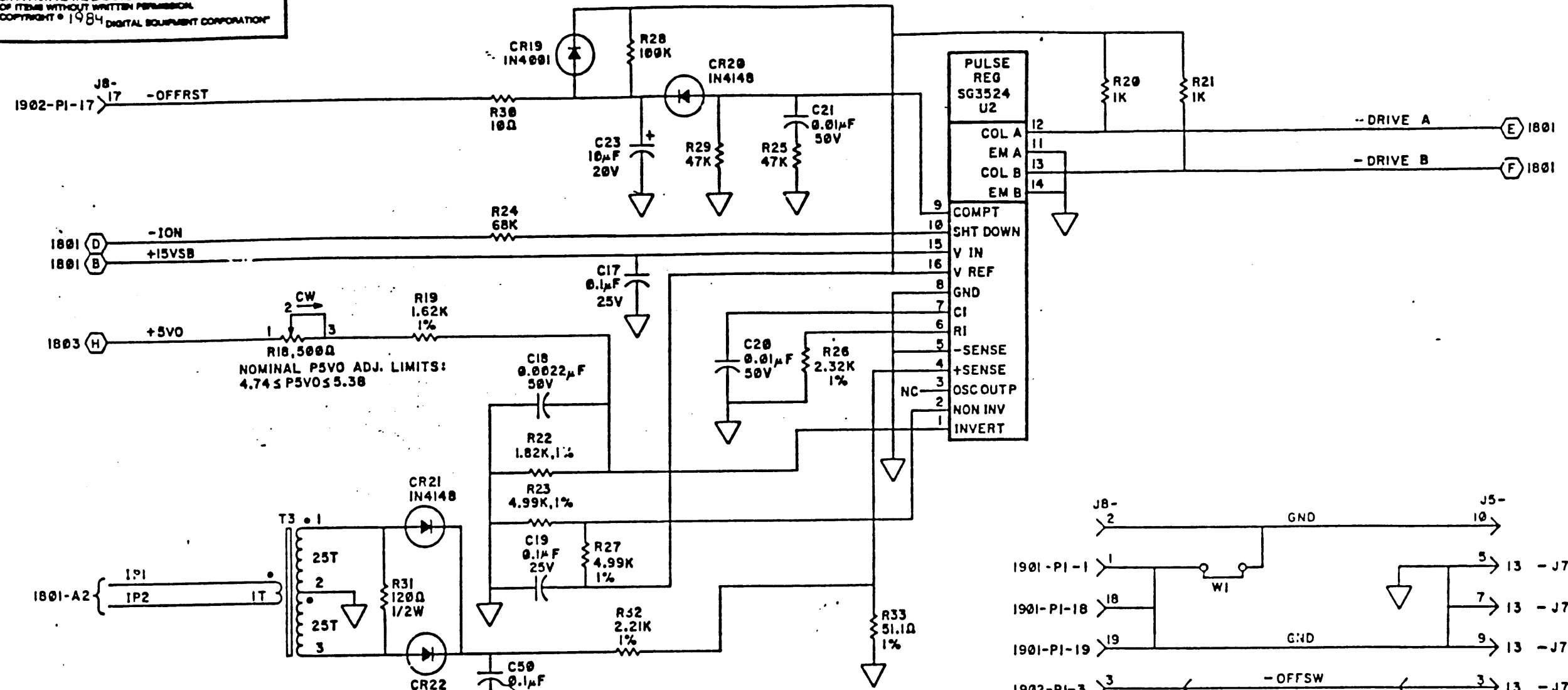
77022970

DRN	CHK'D	ENG.	PROJ. ENG.	PROD.	NEXT HIGHER ASSY.	SCALE	SHEET	REV.	FIRST USED ON	TITLE	SIZE	CODE	NUMBER	REV.
							1	Δ	digital	WIRING DIAGRAM- POWER SUPPLY 50/60HZ	D	CS	2924753-0-0	Δ
DIST														
SHR 1														

2924753-0-0

THIS DRAWING AND SPECIFICATIONS HEREIN ARE THE PROPERTY OF DIGITAL EQUIPMENT CORPORATION AND SHALL NOT BE REPRODUCED OR COPIED OR USED IN WHOLE OR IN PART AS THE BASIS FOR THE MANUFACTURE OR SALE OF ITEMS WITHOUT WRITTEN PERMISSION. COPYRIGHT © 1984 DIGITAL EQUIPMENT CORPORATION

SIZE CODE
CS 2924753-0-0
REV A



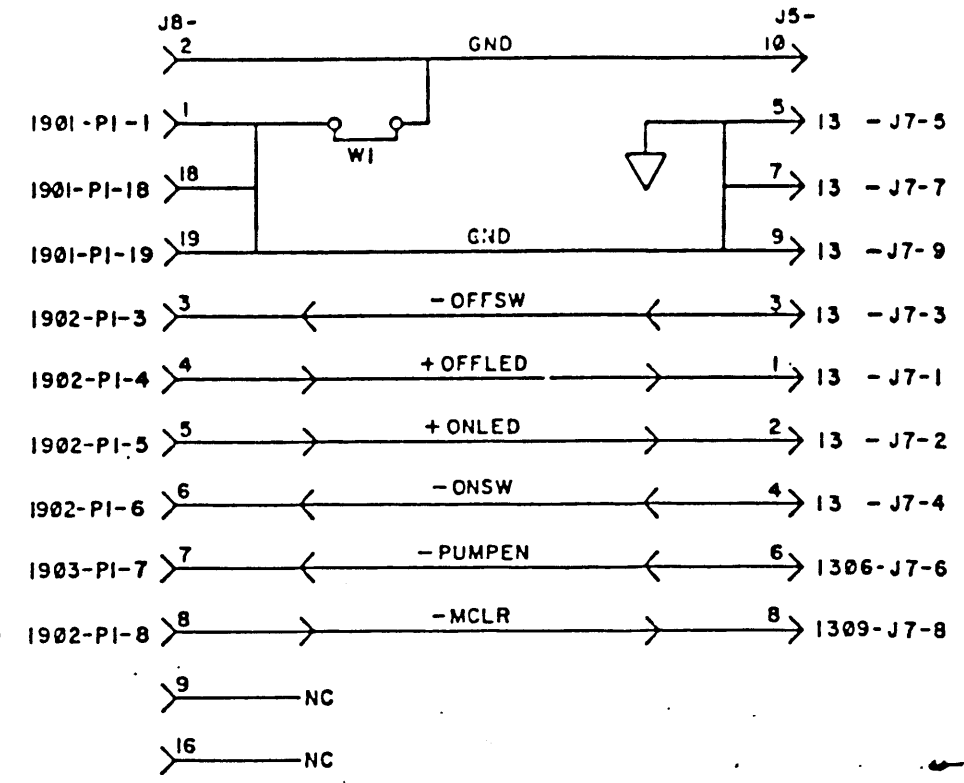
NOTES:

- 1 L5 MOUNTED ON L2
- 2 ALL RESISTORS ARE 1/4W, 5% UNLESS OTHERWISE SPECIFIED.
- 3 L3 MOUNTED ON L6
- 4 L4 MOUNTED ON L7
- 5 LM317T PIN NUMBERS:

3	IN
2	OUT
1	ADJ
- 6 LM377T PIN NUMBERS:

3	OUT
2	IN
1	ADJ

REFERENCE DESIGNATIONS	
LAST USED	NOT USED
U2	R8, R9, R38, R45, R47 THRU R78
R95	C22, C34, C44, C45, C47
C53	CR9, CR37
Q3	
CR41	
K2	
T5	
L7	
VR5	
WI	
(H)	
E18	
J10	J7



D
C
A
REV A
NUMBER 2924753-0-0
SIZE CS

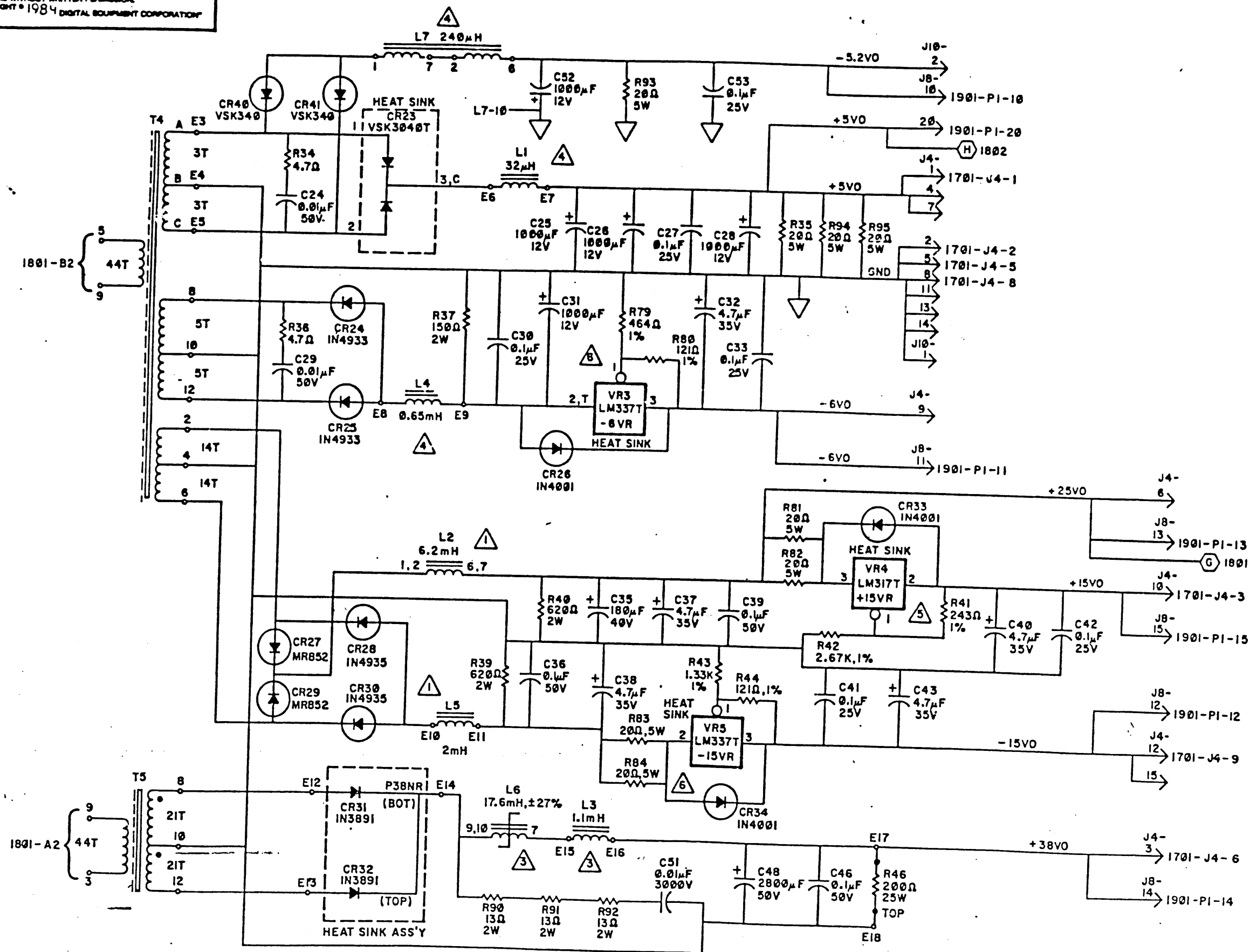
TITLE
PWA
POWER SUPPLY
LOC. PSI

DOCUMENT NUMBER			
SIZE	CODE	NUMBER	REV.
CS	CS	2924753-0-0	A
CROSS REF NO	SHEET 3 OF 4		PAGE
1802			

THIS DRAWING AND SPECIFICATIONS HEREIN ARE THE PROPERTY OF DIGITAL EQUIPMENT CORPORATION AND SHALL NOT BE REPRODUCED OR COPIED OR USED IN WHOLE OR IN PART AS THE BASIS FOR THE MANUFACTURE OR SALE OF ITEMS WITHOUT WRITTEN PERMISSION. COPYRIGHT © 1984 DIGITAL EQUIPMENT CORPORATION

SEE SHEET '0' FOR REVISIONS

DRAWING NUMBER
 CS 2924753-0-0
 A



DRC 1118

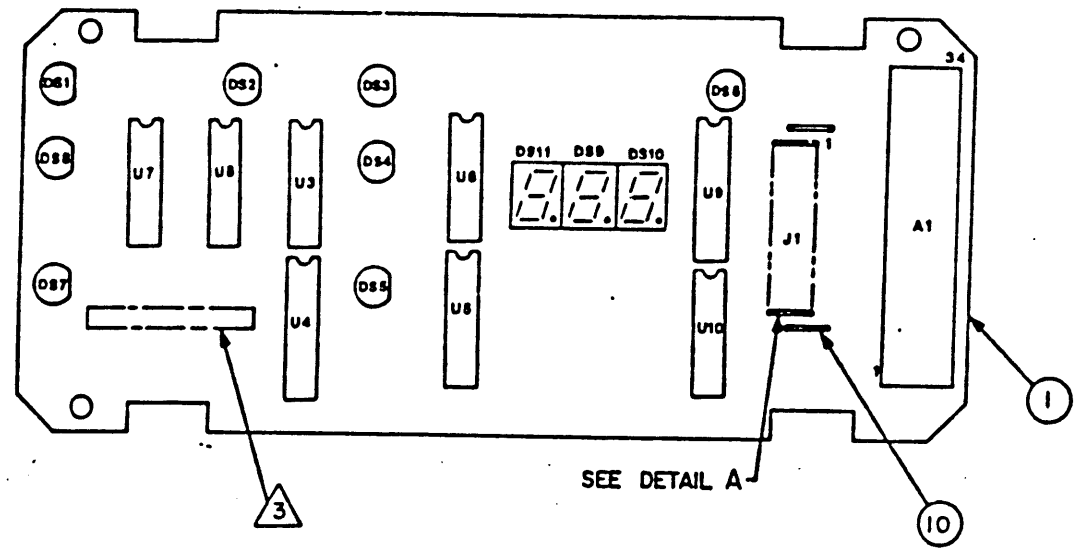
4

3

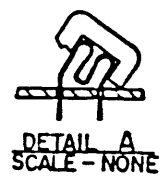
TITLE
 PWA
 POWER SUPPLY
 LOC. PSI

DOCUMENT NUMBER		CD	REV.
SIZE	CODE	NUMBER	
C	CS	2924753-0-0	A
CROSS REF NO	SHEET 4 of 4		PAGE
1803			

SHEET REVISION STATUS		REVISION RECORD					
REV	ECO	DESCRIPTION	DATE	CHKD	APP		
2	011	ECO					
D1	D1	7880703 CLASS 'D' RELEASE					
D2	D2	7831009 PL CHNG ONLY					
D3	D3	7824981 PL CHG ONLY					
D4	D4	7851128 MAT'D B1 REPL BY D4 B2					
A	A	7807902 CLASS 'A' RELEASE					



SEE DETAIL A

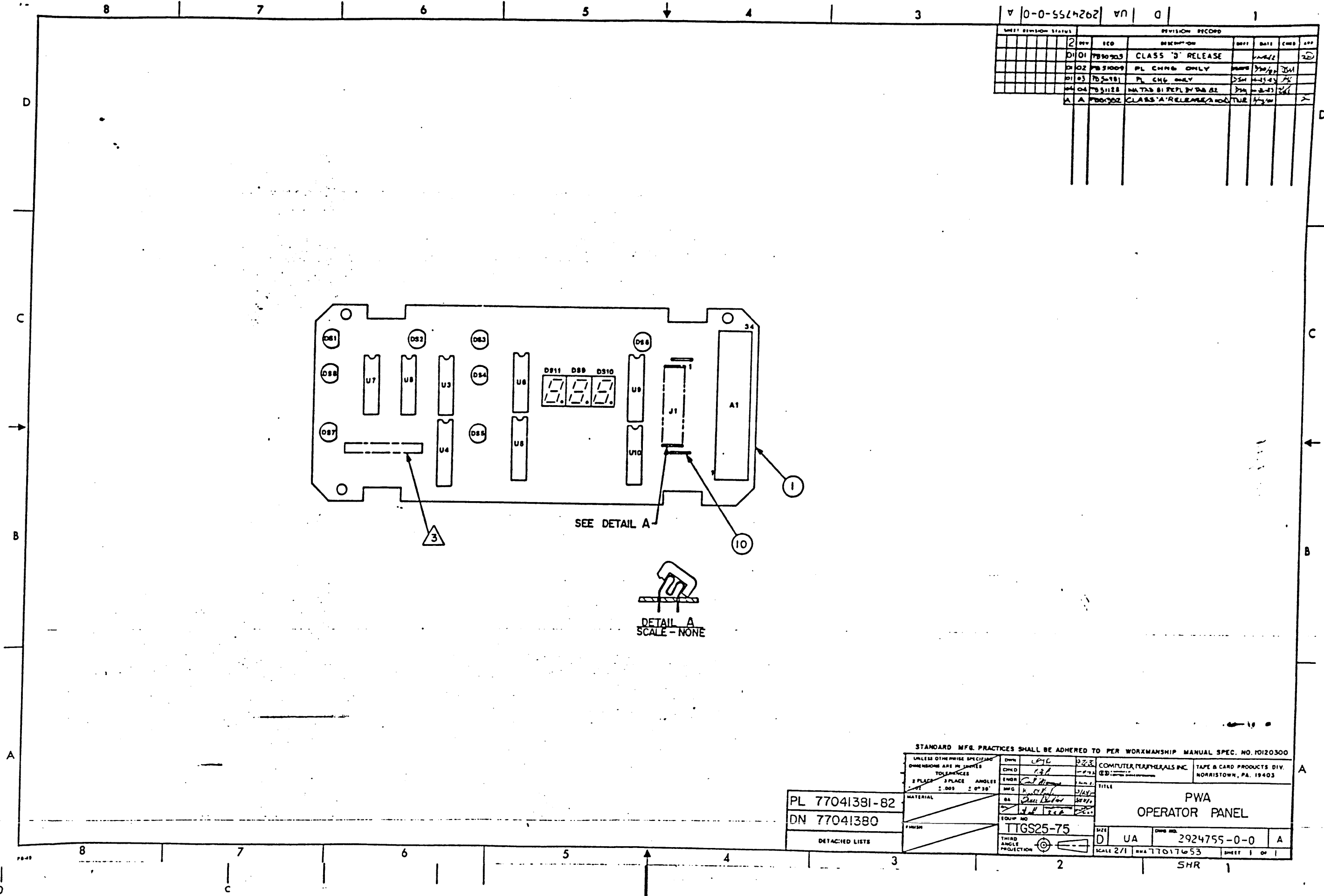


DETAIL A
SCALE - NONE

STANDARD MFG. PRACTICES SHALL BE ADHERED TO PER WORKMANSHIP MANUAL SPEC. NO. 10120300

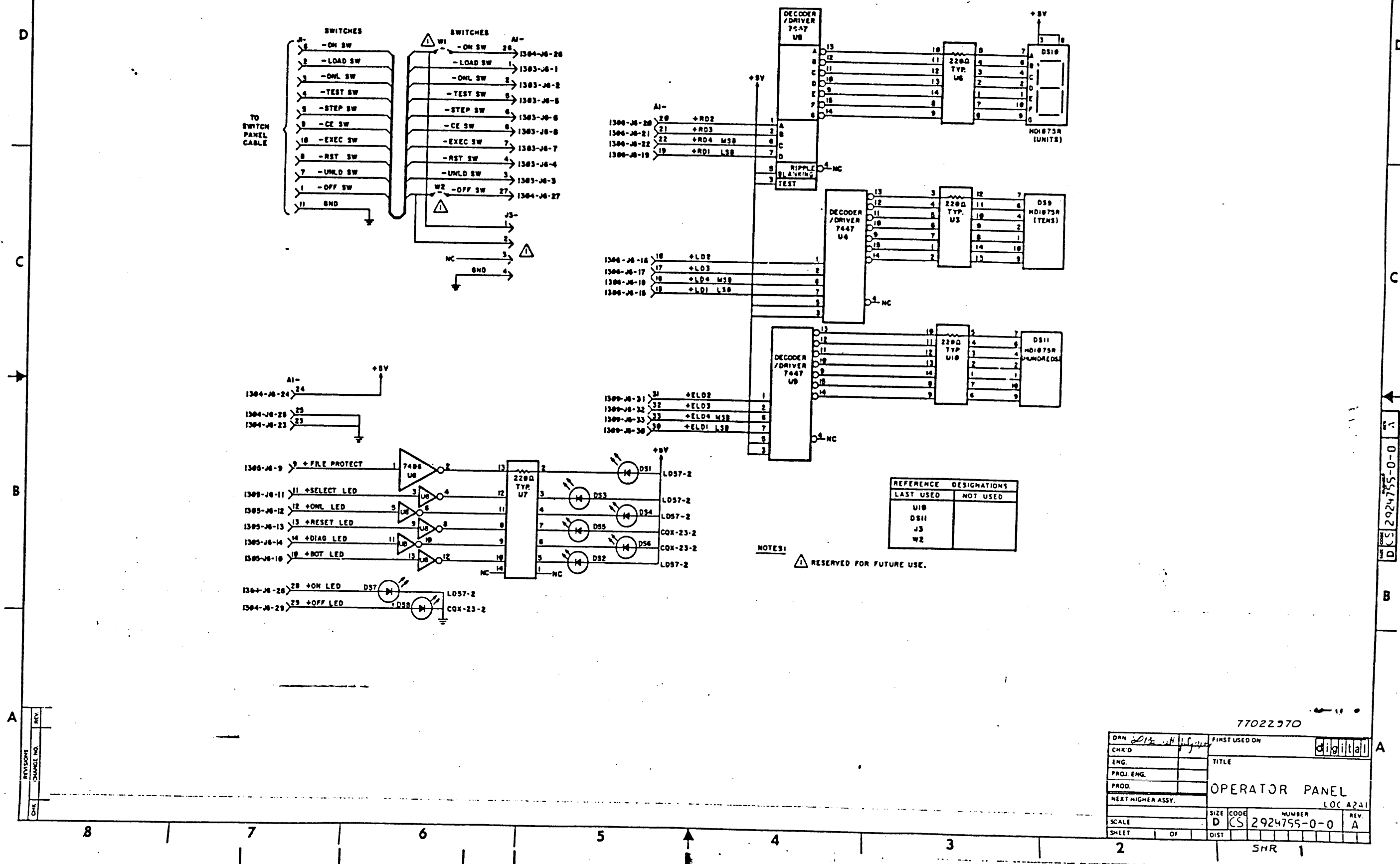
UNLESS OTHERWISE SPECIFIED DIMENSIONS ARE IN INCHES	CHKD	DATE	COMPUTER MATERIALS INC.	TAPE & CARD PRODUCTS DIV.
TOLERANCES	ENG		821	NORRISTOWN, PA. 19403
2 PLACE	DRG		TITLE	
3 PLACE	BA		PWA OPERATOR PANEL	
ANGLES	EQUIP NO		SIZE	D
± .005	FINISH		DRW NO.	2924755-0-0
± 0° 30'			SCALE	2/1
			SHA	77017653
				SHEET 1 OF 1

PL 77041381-82
DN 77041380
DETACHED LISTS



THIS DRAWING AND SPECIFICATIONS HEREOF ARE THE PROPERTY OF DIGITAL EQUIPMENT CORPORATION AND SHALL NOT BE REPRODUCED OR COPIED IN WHOLE OR IN PART AS THE BASIS FOR THE MANUFACTURE OF EQUIPMENT WITHOUT WRITTEN PERMISSION.
 COPYRIGHT © 1984, DIGITAL EQUIPMENT CORPORATION

SEE SHEET 'B' FOR REVISIONS



REFERENCE DESIGNATIONS	
LAST USED	NOT USED
U10	
DS11	
J3	
W2	

NOTES:
 1 RESERVED FOR FUTURE USE.

REV.	
CHANGE NO.	
DATE	

DRN	2012	FIRST USED ON	digital
CHK'D		TITLE	OPERATOR PANEL
ENG.		LOC	A241
PROJ. ENG.		SIZE	D
PROD.		CODE	CS
NEXT HIGHER ASSY.		NUMBER	2924755-0-0
		REV.	A
SHEET	2	OF	5
SCALE		DIST	SHR

D E S 2924755-0-0

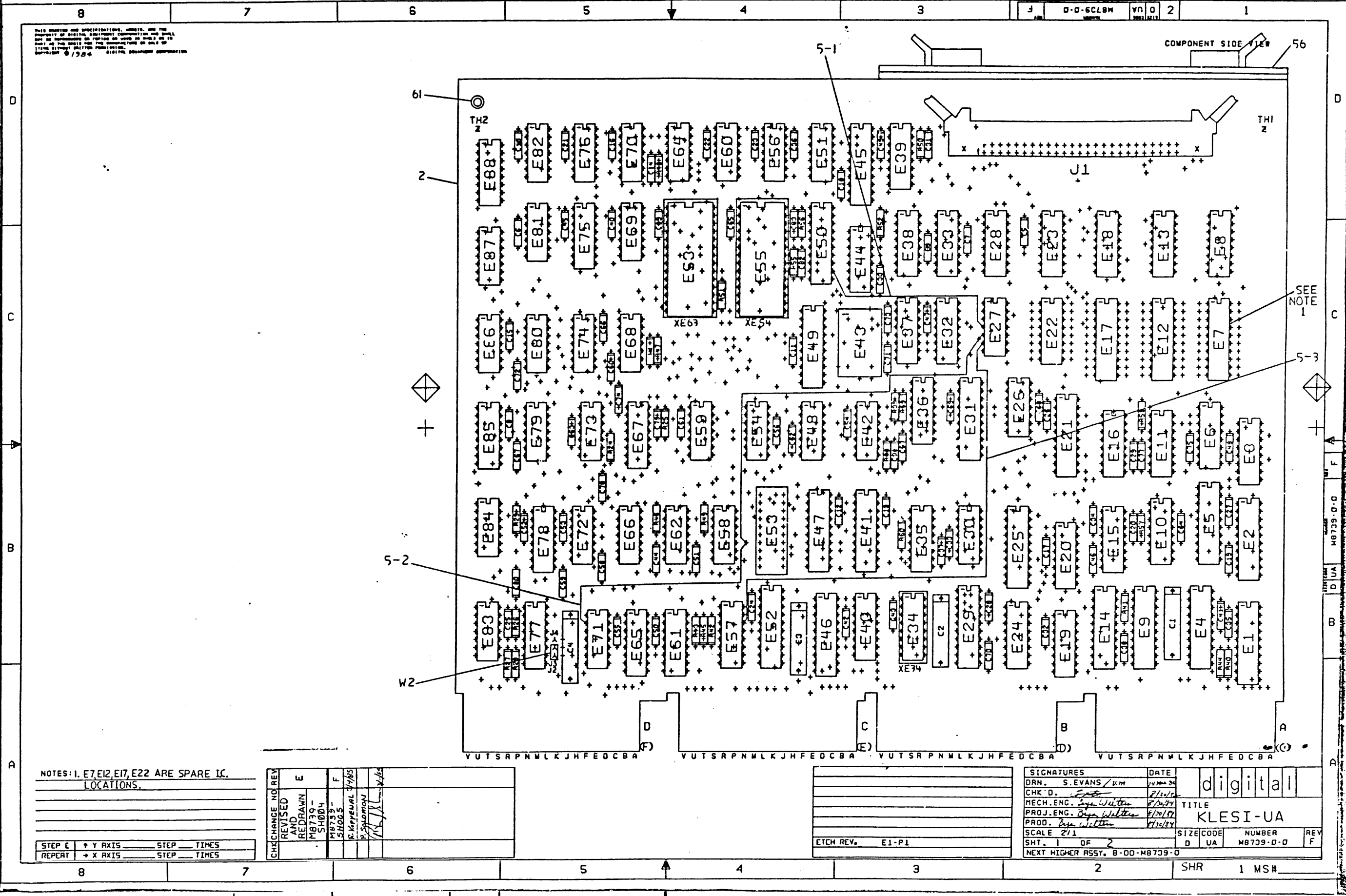
LINE	ITEM	TOP DOCUMENT	PART NUMBER	MIN REV	DESCRIPTION	QTY	PER VARIATION	REFERENCE DESIGNATOR
					VARIATION REVISION LEVEL:	00		
1	1	BLANK			*** THIS ITEM IS NOT USED ***	-		
2	2	D-MD-5014691-0-0	5014691-00		DRILL AND ETCH BD.	1		
3	3		1012084-01		8 MFD 25V +75-10% AL EL	4		C1-C4
4	4		1012784-00		.047 MFD 50V +80-20% CER	75		C5-C75,C77,C81-C83
5	5		1013466-09		1000.0 MMF 50V 10% X7R CER	2		C79,C78
6	6		1013466-30		560.0 MMF 50V 5% CER	1		C80
7	8		1211164-06		SW,DIP 10POS/1PST 5VDC100MA F	1		E53
8	9		1216832-03		PCB,HEADER 50POS(2X25).100CC 90D	1		J1
9	10		1300229-00		100.0 .25 W 5.0 % CF	10		R26,R50,R51,R52,R55-R60
10	12		1300295-00		330.0 .25 W 5.0 % CF	1		R38
11	13		1300365-00		1.0 K .25 W 5.0 % CF	7		R27-R29,R46-R49
12	15		1301401-00		750.0 .25 W 5.0 % CF	1		R39
13	16		1304838-00		43.0 K .25 W 5.0 % CF	2		R25,R24
14	17		1305125-00		383.0 .25 W 1.0 % RN55D-F10	2		R44,R45
15	18		1311422-00		178.0 .25 W 1.0 % RN55D-F10	4		R40-R43
16	19		1811660-13		OSCILLATOR, XTAL 15.360 MHZ	1		E43
17	20		1909705-00		DEC 8881 NAND GATE-QUAD 2IN 0	2		E62,E83
18	21		1910532-00		74S00 NAND GATE-QUAD 2IN	1		E86
19	23		1910536-00		74S10 NAND GATE-TRIPLE 3IN	1		E76
20	24		1910539-00		74S20 NAND GATE-DUAL 4INPU	1		E70
21	25		1910544-00		74S74 FF-D DUAL,EDGE TRIGG	3		E69,E74,E82
22	26		1910544-C1		74S74-60GG-D DUAL,EDGE TRIG	1		E60
23	27		1911116-00		DEC 8837 RECEIVER,BUS,HEX,UN	2		E40,E65
24	28		1911573-00		74S280 PARITY GEN/CHKR,9BIT	2		E26,E30
25	29		1911579-00		8641 TRANSCEIVER,BUS,QUA	1		E77
26	30		1911675-00		74S138 DECODER/DEMUX 3-8 LI	1		E78
27	31		1911676-00		74S139 DECCDER-DUAL TWO-INP	1		E75
28	32		1912661-00		74S189 MEMORY READ/WRITE	4		E10,E11,E35,E36
29	33		1912799-00		LS00 NAND-GATE-QUAD 2IN,P	1		E66
30	34		1910534-00		74S04 INVERTER GATE-HEX 1I	1		E71

REVISION HISTORY			BASIC PART NO: M8739			DRN: DAVID MILLEY			DATE: 23-NOV-81			D I G I T A L		
ENG!	ECO NUMBER	REV	SECTION A OF A			CHK'D: PHIL BOSSMAN			DATE: 30-MAR-82			TITLE PARTS LIST		
---	INITIAL	A	SECTION VARIATION INDEX			DES.ENG: BRYAN WALTERS			DATE: 30-MAR-82			AZTEC UNIBUS ADAPTER CARD		
B.W!	M8739-SH001	B	[A] 00			RESP.ENG.: BRYAN WALTERS			DATE: 30-MAR-82			DOCUMENT NUMBER		
B.W!	M8739-SH002	C	[B]			MFG.ENG.: DOUG SWIFT			DATE: 27-AUG-82			RELEASE DATE: 17-APR-85		
B.W!	M8739-SH003	D	[C]			ASSEMBLY NUMBER:			TOP DOCUMENT NUMBER:			FILE NAME:		
B.W!	M8739-SH004	E	[D]			D-UA-M8739-0-0			#B-DD-M8739-0			Z1815F.PLS		
A.R!	M8739-SH006	F	[E]									EDIT #		
			[F]									32		
			[H]											
			[J]											
			[K]											
			[L]											
			[M]											
			[N]											

THIS DRAWING AND THE SPECIFICATIONS CONTAINED HEREIN ARE CONFIDENTIAL AND PROPRIETARY. THEY ARE THE PROPERTY OF DIGITAL EQUIPMENT CORPORATION AND SHALL NOT BE REPRODUCED OR COPIED OR USED IN WHOLE OR IN PART AS THE BASIS FOR THE MANUFACTURE OR SALE OF ITEMS WITHOUT WRITTEN PERMISSION. THIS IS AN UNPUBLISHED WORK PROTECTED UNDER THE FEDERAL COPYRIGHT LAWS.

THIS DRAWING AND SPECIFICATIONS, HEREIN, ARE THE PROPERTY OF DIGITAL EQUIPMENT CORPORATION AND SHALL NOT BE REPRODUCED OR COPIED IN ANY MANNER WITHOUT THE WRITTEN PERMISSION OF DIGITAL EQUIPMENT CORPORATION.
 DATE: 1/28/64

D-D-6CL8M VU 0 2



SEE NOTE 1

NOTES: 1. E7, E12, E17, E22 ARE SPARE IC LOCATIONS.

STEP E	→ Y AXIS	STEP	TIMES
REPEAT	→ X AXIS	STEP	TIMES

CHK	CHANGE NO	REV	AND	REVISION	DATE
				E	
				F	

ETCH REV.	E1-P1
-----------	-------

SIGNATURES		DATE	digital
DRN. S. EVANS / U.M.		1/28/64	
CHK'D. <i>[Signature]</i>		2/10/64	TITLE KLESI-UA
MECH. ENG. <i>[Signature]</i>		2/24/64	
PROJ. ENG. <i>[Signature]</i>		2/20/64	
PROD. <i>[Signature]</i>		2/20/64	
SCALE 2/1	SIZE CODE D UA	NUMBER M8739-D-0	REV F
SHT. 1 OF 2	NEXT HIGHER ASSY. B-DD-M8739-0		

SHR 1 MS#

THIS DRAWING AND THE SPECIFICATIONS CONTAINED HEREIN ARE CONFIDENTIAL AND PROPRIETARY. THEY ARE THE PROPERTY OF DIGITAL EQUIPMENT CORPORATION AND SHALL NOT BE REPRODUCED OR COPIED OR USED IN WHOLE OR IN PART AS THE BASIS FOR THE MANUFACTURE OR SALE OF ITEMS WITHOUT WRITTEN PERMISSION. THIS IS AN UNPUBLISHED WORK PROTECTED UNDER THE FEDERAL COPYRIGHT LAWS.

1985

REWORK INSTRUCTIONS:

ECO# 5, SIDE 1:

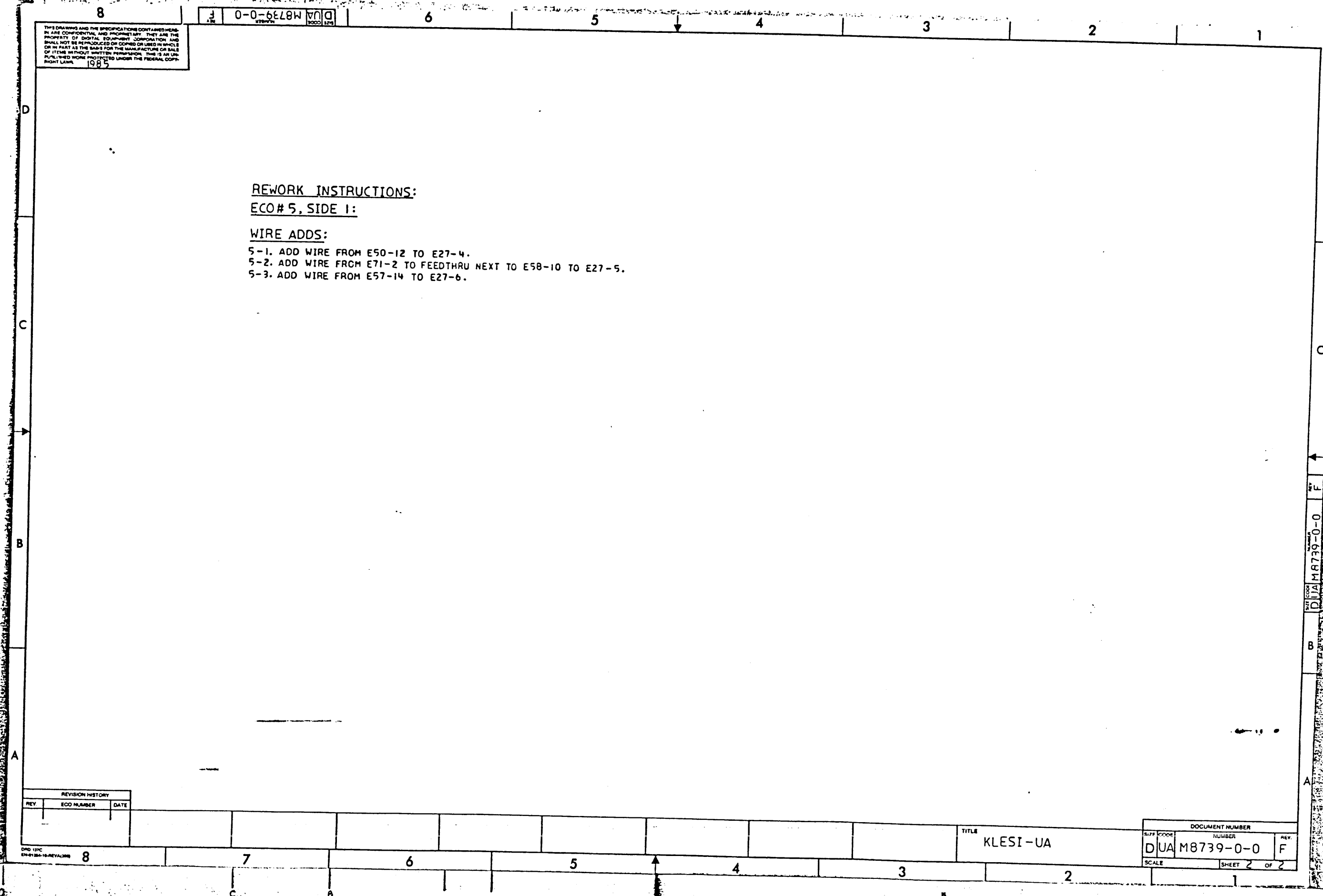
WIRE ADDS:

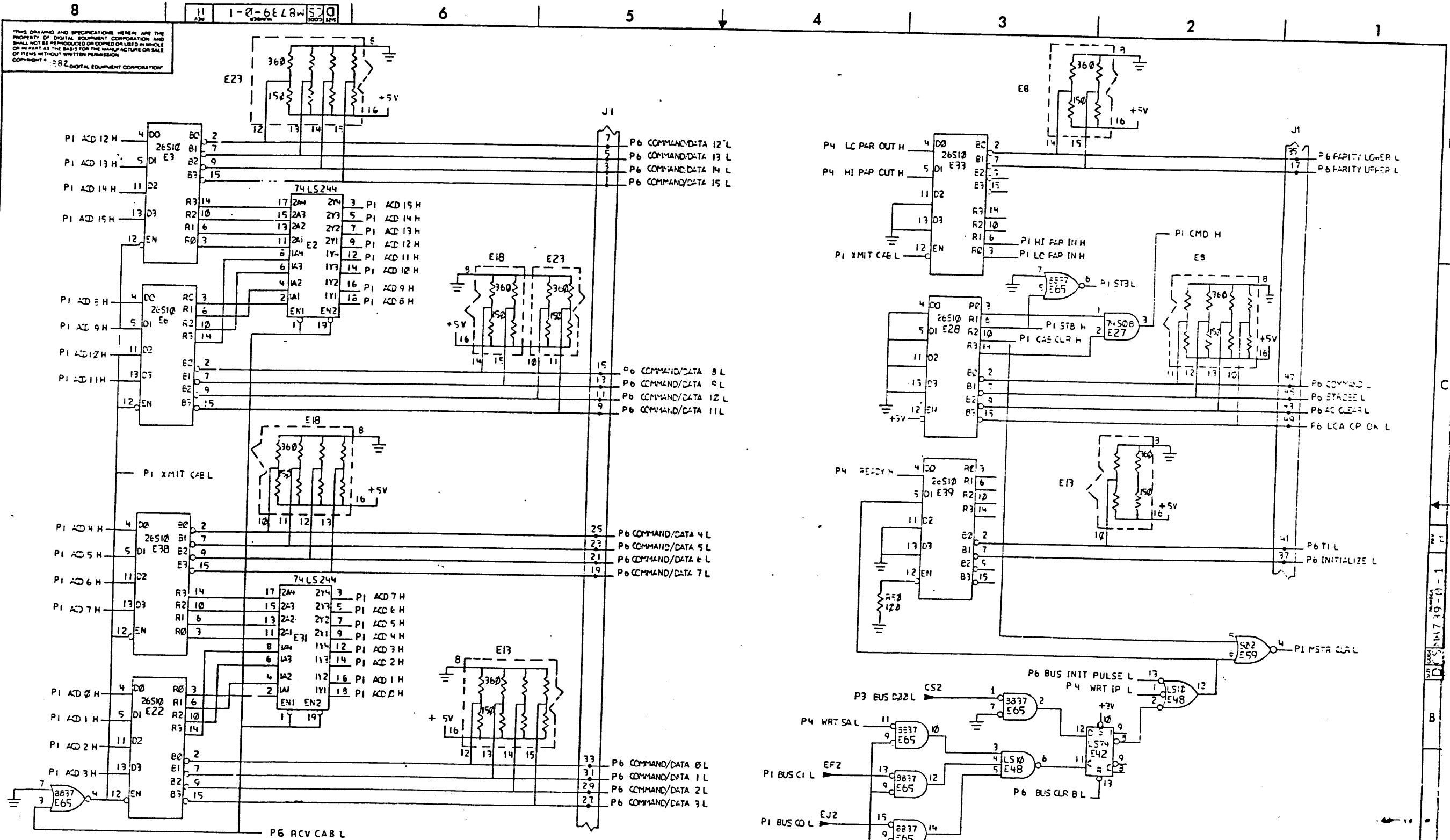
- 5-1. ADD WIRE FROM E50-12 TO E27-4.
- 5-2. ADD WIRE FROM E71-2 TO FEEDTHRU NEXT TO E58-10 TO E27-5.
- 5-3. ADD WIRE FROM E57-14 TO E27-6.

REVISION HISTORY		
REV	ECO NUMBER	DATE

TITLE
KLESI-UA

DOCUMENT NUMBER		
SUFF CODE	NUMBER	REV.
DUA	M8739-0-0	F
SCALE		SHEET 2 OF 2





THIS DRAWING AND SPECIFICATIONS HEREIN ARE THE PROPERTY OF DIGITAL EQUIPMENT CORPORATION AND SHALL NOT BE REPRODUCED OR COPIED OR USED IN WHOLE OR IN PART AS THE BASIS FOR THE MANUFACTURE OR SALE OF ITEMS WITHOUT WRITTEN PERMISSION. COPYRIGHT © 1982 DIGITAL EQUIPMENT CORPORATION.

REVISION HISTORY											
DATE	ECO NUMBER	REV	DATE	ECO NUMBER	REV	DATE	ECO NUMBER	REV	DATE	ECO NUMBER	REV
11/17/85	M8739-SH001	B	11/17/85	M8739-SH002	C	11/17/85	M8739-SH003	D	11/17/85	M8739-SH004	E
11/17/85	M8739-SH002	B	11/17/85	M8739-SH003	C	11/17/85	M8739-SH004	D	11/17/85	M8739-SH005	F
11/17/85	M8739-SH003	B	11/17/85	M8739-SH004	C	11/17/85	M8739-SH005	D	11/17/85	M8739-SH006	H

NOTE: UNLESS OTHERWISE SPECIFIED: ALL RESISTORS ARE 1/4W, 5% CC.

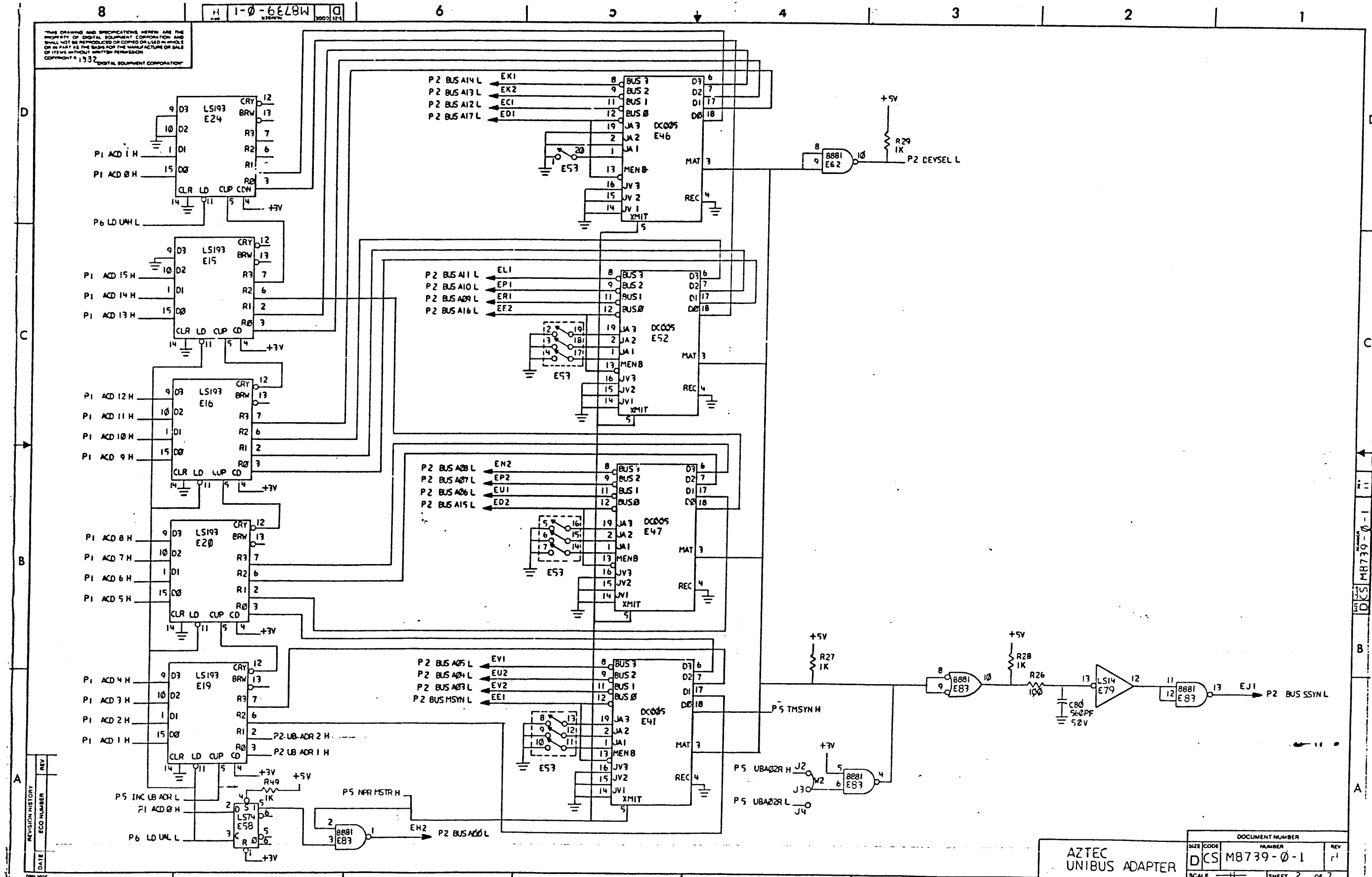
DATE	11-17-85	DATE	SEP 82	TITLE	digital
DESIGN	B. WALTERS	DATE	SEP 82	AZTEC UNIBUS ADAPTER	
REV	1	DATE	SEP 82		
REV	2	DATE	SEP 82		
REV	3	DATE	SEP 82		
REV	4	DATE	SEP 82		
REV	5	DATE	SEP 82		
REV	6	DATE	SEP 82		
REV	7	DATE	SEP 82		
REV	8	DATE	SEP 82		
REV	9	DATE	SEP 82		
REV	10	DATE	SEP 82		
REV	11	DATE	SEP 82		
REV	12	DATE	SEP 82		
REV	13	DATE	SEP 82		
REV	14	DATE	SEP 82		
REV	15	DATE	SEP 82		
REV	16	DATE	SEP 82		
REV	17	DATE	SEP 82		
REV	18	DATE	SEP 82		
REV	19	DATE	SEP 82		
REV	20	DATE	SEP 82		
REV	21	DATE	SEP 82		
REV	22	DATE	SEP 82		
REV	23	DATE	SEP 82		
REV	24	DATE	SEP 82		
REV	25	DATE	SEP 82		
REV	26	DATE	SEP 82		
REV	27	DATE	SEP 82		
REV	28	DATE	SEP 82		
REV	29	DATE	SEP 82		
REV	30	DATE	SEP 82		
REV	31	DATE	SEP 82		
REV	32	DATE	SEP 82		
REV	33	DATE	SEP 82		
REV	34	DATE	SEP 82		
REV	35	DATE	SEP 82		
REV	36	DATE	SEP 82		
REV	37	DATE	SEP 82		
REV	38	DATE	SEP 82		
REV	39	DATE	SEP 82		
REV	40	DATE	SEP 82		
REV	41	DATE	SEP 82		
REV	42	DATE	SEP 82		
REV	43	DATE	SEP 82		
REV	44	DATE	SEP 82		
REV	45	DATE	SEP 82		
REV	46	DATE	SEP 82		
REV	47	DATE	SEP 82		
REV	48	DATE	SEP 82		
REV	49	DATE	SEP 82		
REV	50	DATE	SEP 82		
REV	51	DATE	SEP 82		
REV	52	DATE	SEP 82		
REV	53	DATE	SEP 82		
REV	54	DATE	SEP 82		
REV	55	DATE	SEP 82		
REV	56	DATE	SEP 82		
REV	57	DATE	SEP 82		
REV	58	DATE	SEP 82		
REV	59	DATE	SEP 82		
REV	60	DATE	SEP 82		
REV	61	DATE	SEP 82		
REV	62	DATE	SEP 82		
REV	63	DATE	SEP 82		
REV	64	DATE	SEP 82		
REV	65	DATE	SEP 82		
REV	66	DATE	SEP 82		
REV	67	DATE	SEP 82		
REV	68	DATE	SEP 82		
REV	69	DATE	SEP 82		
REV	70	DATE	SEP 82		
REV	71	DATE	SEP 82		
REV	72	DATE	SEP 82		
REV	73	DATE	SEP 82		
REV	74	DATE	SEP 82		
REV	75	DATE	SEP 82		
REV	76	DATE	SEP 82		
REV	77	DATE	SEP 82		
REV	78	DATE	SEP 82		
REV	79	DATE	SEP 82		
REV	80	DATE	SEP 82		
REV	81	DATE	SEP 82		
REV	82	DATE	SEP 82		
REV	83	DATE	SEP 82		
REV	84	DATE	SEP 82		
REV	85	DATE	SEP 82		
REV	86	DATE	SEP 82		
REV	87	DATE	SEP 82		
REV	88	DATE	SEP 82		
REV	89	DATE	SEP 82		
REV	90	DATE	SEP 82		
REV	91	DATE	SEP 82		
REV	92	DATE	SEP 82		
REV	93	DATE	SEP 82		
REV	94	DATE	SEP 82		
REV	95	DATE	SEP 82		
REV	96	DATE	SEP 82		
REV	97	DATE	SEP 82		
REV	98	DATE	SEP 82		
REV	99	DATE	SEP 82		
REV	100	DATE	SEP 82		

DATE: 11-17-85

A

1

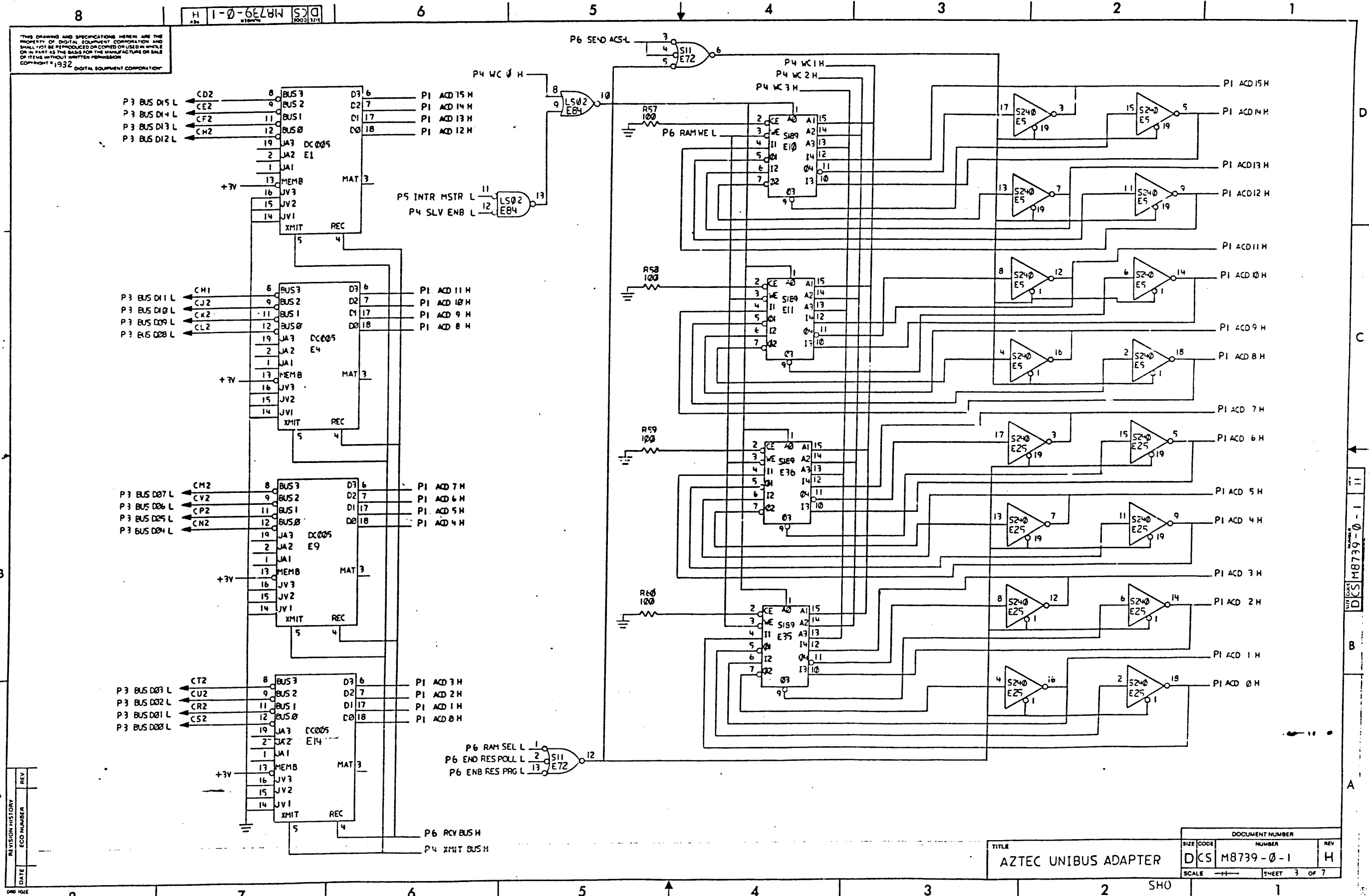
THIS DRAWING AND SPECIFICATIONS HEREIN ARE THE PROPERTY OF DIGITAL EQUIPMENT CORPORATION AND SHALL NOT BE REPRODUCED OR COPIED IN WHOLE OR IN PART AS THE BASIS FOR THE MANUFACTURE OR SALE OF ITEMS WITHOUT WRITTEN PERMISSION. COPYRIGHT © 1972 DIGITAL EQUIPMENT CORPORATION.



REV	ECO NUMBER	DATE	DESIGN

AZTEC UNIBUS ADAPTER		DOCUMENT NUMBER	
SIZE CODE	NUMBER	REV	
D/CS	M8739-0-1	r1	
SCALE	SHEET 2 OF 7		

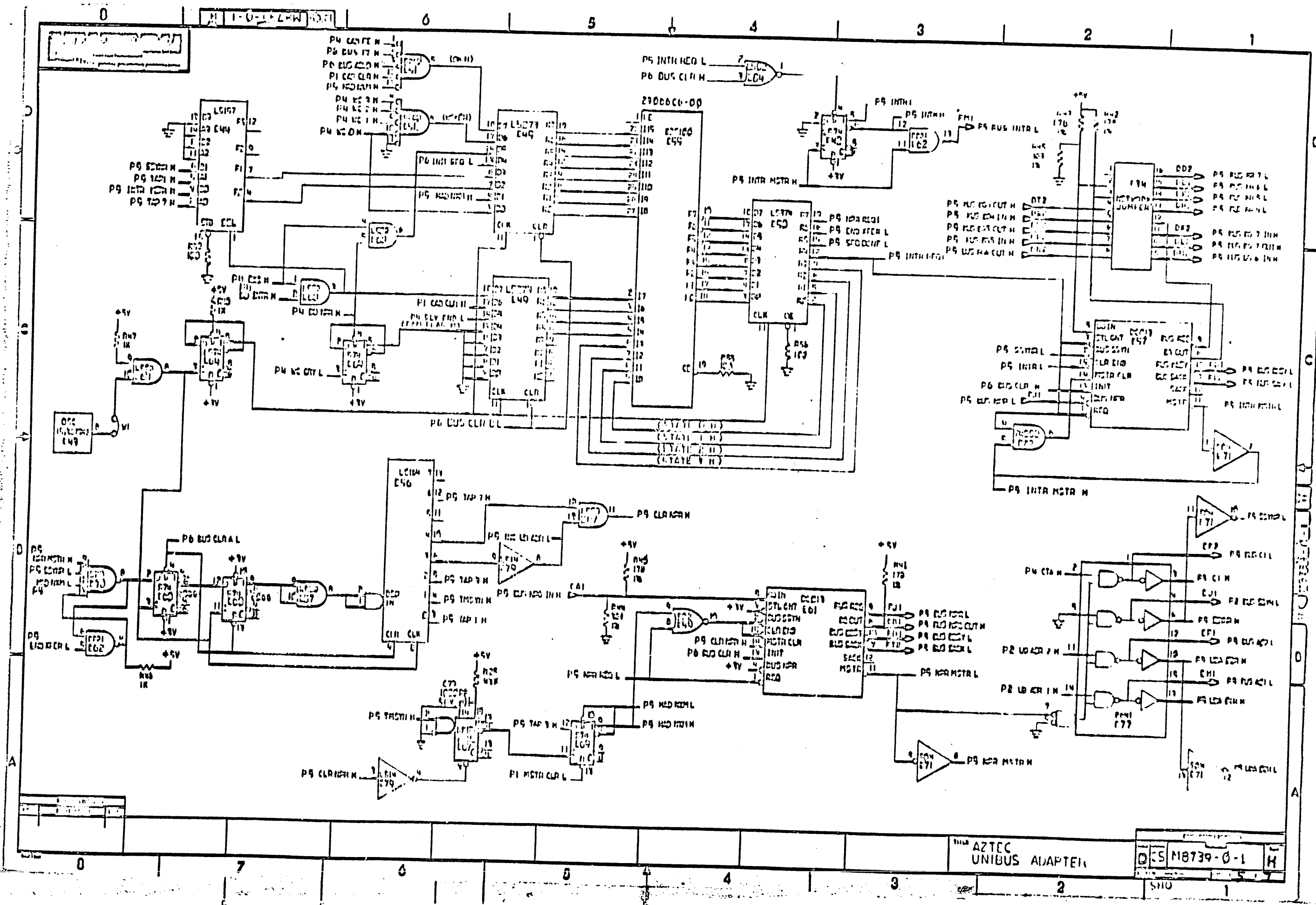
DCSI M8739-0-1



THIS DRAWING AND SPECIFICATIONS HEREIN ARE THE PROPERTY OF DIGITAL EQUIPMENT CORPORATION AND SHALL NOT BE REPRODUCED OR COPIED OR USED IN WHOLE OR IN PART AS THE BASIS FOR THE MANUFACTURE OR SALE OF ITEMS WITHOUT WRITTEN PERMISSION. COPYRIGHT © 1972 DIGITAL EQUIPMENT CORPORATION

REV	ECO NUMBER	DATE

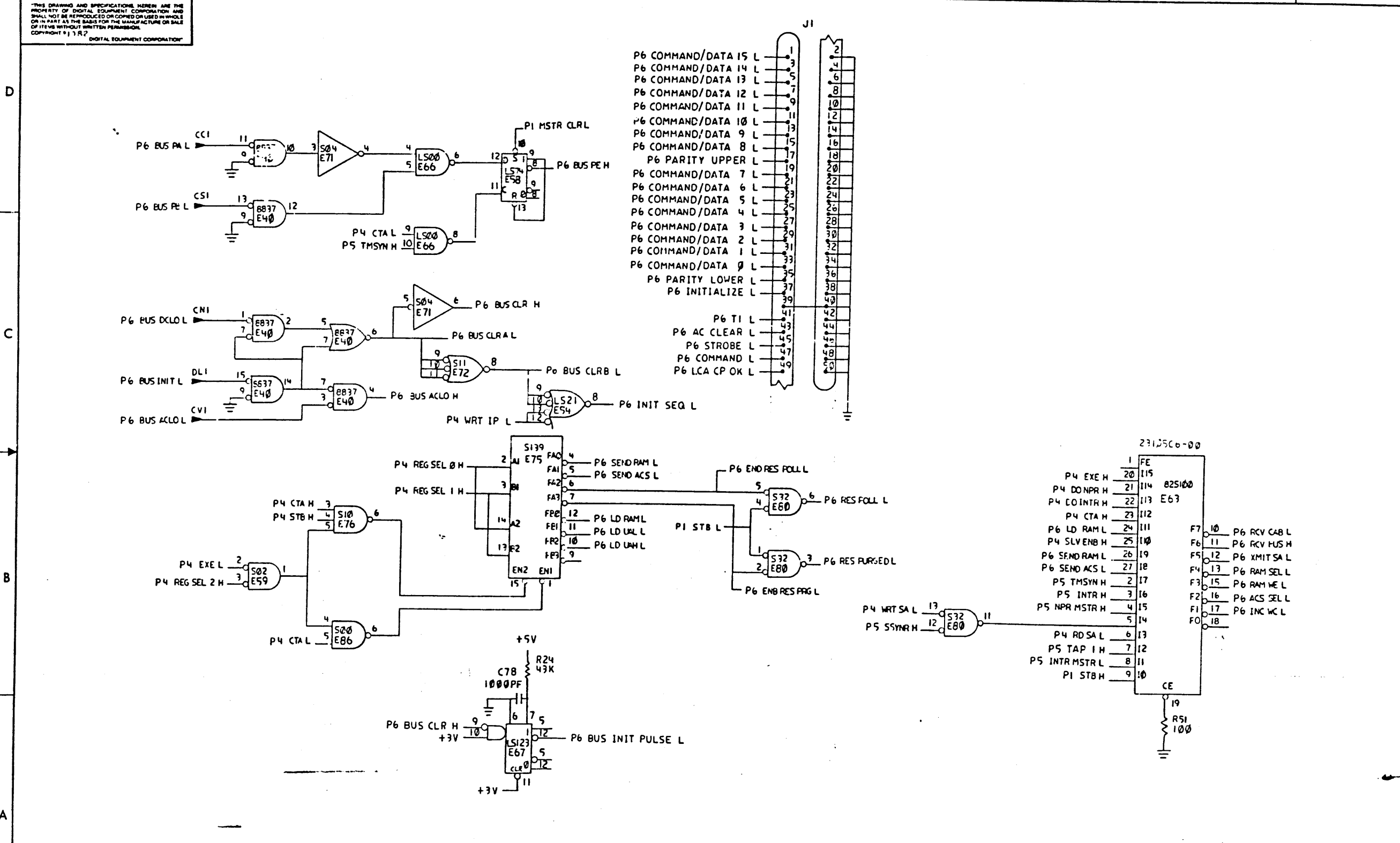
TITLE		DOCUMENT NUMBER	
AZTEC UNIBUS ADAPTER		DCS M8739-0-1	REV H
SCALE	SHEET	3 OF 7	



AZTEC UNIBUS ADAPTER
 CS M8739-0-1
 SNO

THIS DRAWING AND SPECIFICATIONS HEREIN ARE THE PROPERTY OF DIGITAL EQUIPMENT CORPORATION AND SHALL NOT BE REPRODUCED OR COPIED OR USED IN WHOLE OR IN PART AS THE BASIS FOR THE MANUFACTURE OR SALE OF ITEMS WITHOUT WRITTEN PERMISSION.
COPYRIGHT © 1972 DIGITAL EQUIPMENT CORPORATION

8 7 6 5 4 3 2 1



- P6 COMMAND/DATA 15 L
- P6 COMMAND/DATA 14 L
- P6 COMMAND/DATA 13 L
- P6 COMMAND/DATA 12 L
- P6 COMMAND/DATA 11 L
- P6 COMMAND/DATA 10 L
- P6 COMMAND/DATA 9 L
- P6 COMMAND/DATA 8 L
- P6 PARITY UPPER L
- P6 COMMAND/DATA 7 L
- P6 COMMAND/DATA 6 L
- P6 COMMAND/DATA 5 L
- P6 COMMAND/DATA 4 L
- P6 COMMAND/DATA 3 L
- P6 COMMAND/DATA 2 L
- P6 COMMAND/DATA 1 L
- P6 COMMAND/DATA 0 L
- P6 PARITY LOWER L
- P6 INITIALIZE L
- P6 TI L
- P6 AC CLEAR L
- P6 STROBE L
- P6 COMMAND L
- P6 LCA CP OK L

- FE
- 20 I15
- 21 I14
- 22 I13
- 23 I12
- 24 I11
- 25 I10
- 19
- 18
- 17
- 16
- 15
- 14
- 13
- 12
- 11
- 10
- 9

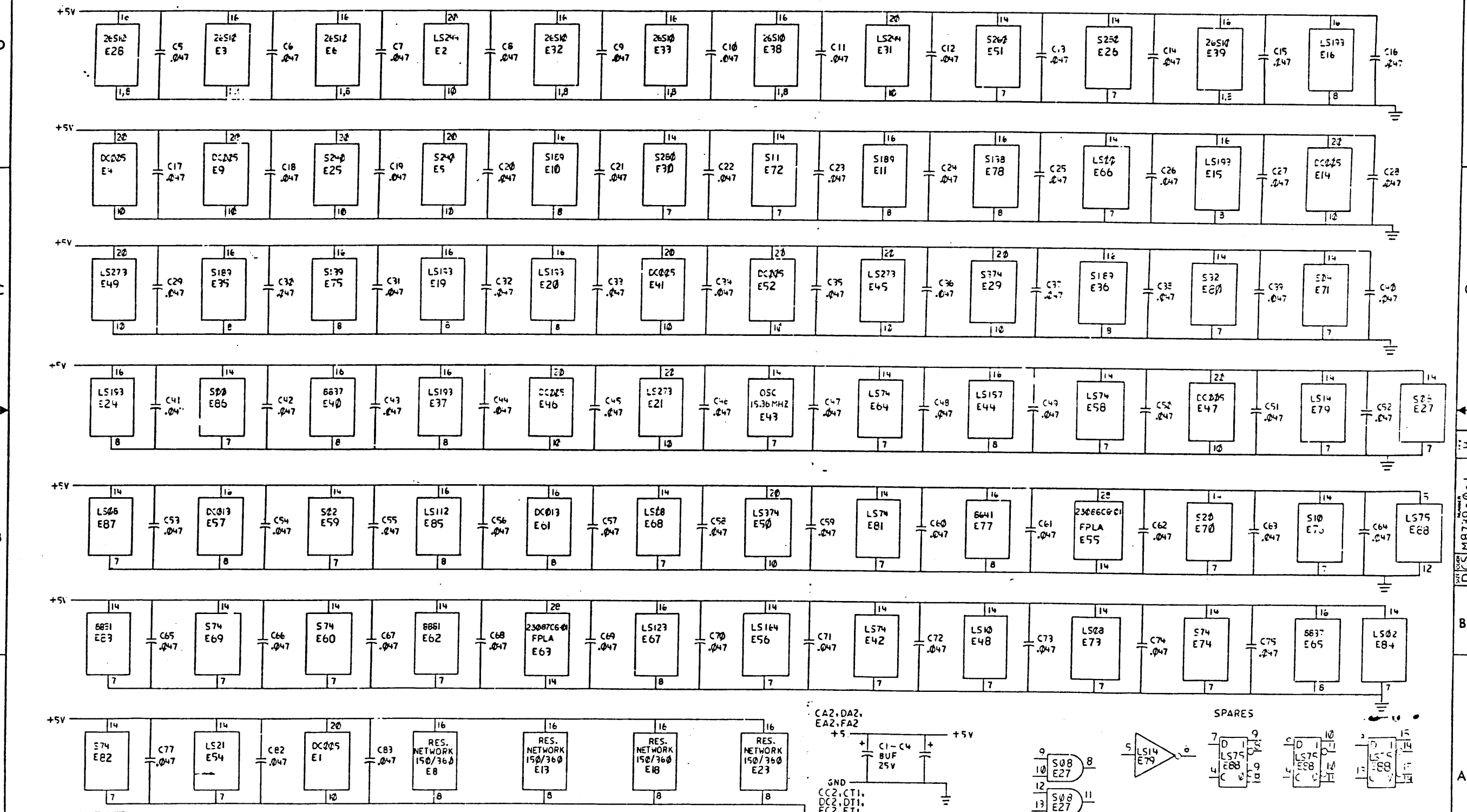
REVISION HISTORY		
DATE	ECD NUMBER	REV.

TITLE AZTEC UNIBUS ADAPTER

DOCUMENT NUMBER		
SIZE CODE	NUMBER	REV.
DCS	M8739-0-1	1
SCALE	SHEET 6	OF 7

SHO 1

THIS DRAWING AND SPECIFICATIONS HEREIN ARE THE PROPERTY OF DIGITAL EQUIPMENT CORPORATION AND SHALL NOT BE REPRODUCED OR COPIED OR USED IN WHOLE OR IN PART AS THE BASIS FOR THE MANUFACTURE OR SALE OF ITEMS WITHOUT WRITTEN PERMISSION. COPYRIGHT © 1972. DIGITAL EQUIPMENT CORPORATION.



REVISION HISTORY		
DATE	ECO NUMBER	REV

TITLE AZTEC UNIBUS ADAPTER

DOCUMENT NUMBER		
SIZE	NUMBER	REV
D	M8739-0-1	H
SCALE	SHEET 7	OF 7

OPTION NAME: TU81-CA/CB
 INFORMATION SHEET

RM ECO #	OPTION NAME:	DESCRIPTION	REVISION
	TU81-CA/CB		
1	29-0000 77000(XXXY)	SERVO MODULE	A1 B1 91 123Y 124Y 124Y

- DIGITAL PART NO.
 - VENDOR PART NO. (9 DIGITS)
 - VENDOR PART REVISION LEVEL APPEARS IN THE LAST 4 DIGITS OF THE VENDOR PART NUMBER
 3 NUMERIC DIGITS (XXX) USED TO INDICATE A FUNCTIONAL CHANGE
 1 ALPHA DIGIT (Y) USED TO INDICATE NON-FUNCTIONAL CHANGE (ALPHA CHARACTER SHOULD NOT BE USED TO DETERMINE PART COMPATIBILITY)
 - DIGITAL OPTION LEVEL REVISION
 - DIGITAL PART NUMBER REVISION
- * ALPHA DIGIT USED TO INDICATE FUNCTIONAL CHANGE
 NUMERIC DIGIT USED TO INDICATE NON-FUNCTIONAL CHANGE

THIS DRAWING AND THE SPECIFICATIONS CONTAINED HEREIN ARE CONFIDENTIAL AND PROPRIETARY. THEY ARE THE PROPERTY OF DIGITAL EQUIPMENT CORPORATION AND SHALL NOT BE REPRODUCED OR COPIED OR USED IN WHOLE OR IN PART AS THE BASIS FOR THE MANUFACTURE OR SALE OF ITEMS WITHOUT WRITTEN PERMISSION. THIS IS AN UNPUBLISHED WORK PROTECTED UNDER THE FEDERAL COPYRIGHT LAWS.

NOTES:

DRN:	GREGORY W. SMITH	DATE:	NOV. 8, 1984	d i i g i i t a l l
CHK'D:	FRANK RAFFA	DATE:	NOV. 9, 1984	TITLE: TU81-CA/CB REVISION MATRIX DOCUMENT
RESP. ENG.:	STEVE LUNKINS	DATE:	NOV. 9, 1984	SHEET 1 OF 7
MFG. ENG.:	JOHN FLEMING	DATE:	NOV. 9, 1984	DOCUMENT NUMBER: K-RM-TU81-0-DBF
MAINTAINABILITY ENG.:	FRANK RAFFA	DATE:	NOV. 9, 1984	SIZE CODE: NUMBER REV K RM TU81-0-DBF A

OPTION NAME:		R E V I S I O N									
TU81-CA/CB		A0									
PART NO.	DESCRIPTION	REVISION									
29-24704 77041XXX	PWA READ AMPLIFIER	A0 1225Y									
29-24705 77042XXX	PWA SERVC CONTROL	A0 1234Y									
29-24706 77041XXX	PWA WRITE DRIVER	A0 1216Y									
29-24707 77041XXX	PWA MSCP	A0 1258Y									
29-24708 77025XXX	PWA FORMATTER WRITE	A0 1981Y									
29-24709 77041XXX	PWA FORMATTER READ	A0 1188Y									
29-24223 77018XXX	PWA POWER AMPLIFIER	A0 1430Y									
29-24753 77018XXX 77018XXX	POWER SUPPLY 50/60 HZ 60 HZ 50 HZ	A0 1963Y 1964Y									
NOTES:		R E V I S I O N									
		H I S T O R Y									
REVISION MATRIX (TOP-LEVEL AND COMPATIBILITY)		D I A G N O S T I C									
		T I T L E									
d i g i t a l		TU81-CA/CB REVISION MATRIX DOCUMENT			SHEET 4 OF 7		SIZE K	CODE RM	NUMBER TU81-0-DBF	REV A	

SHp

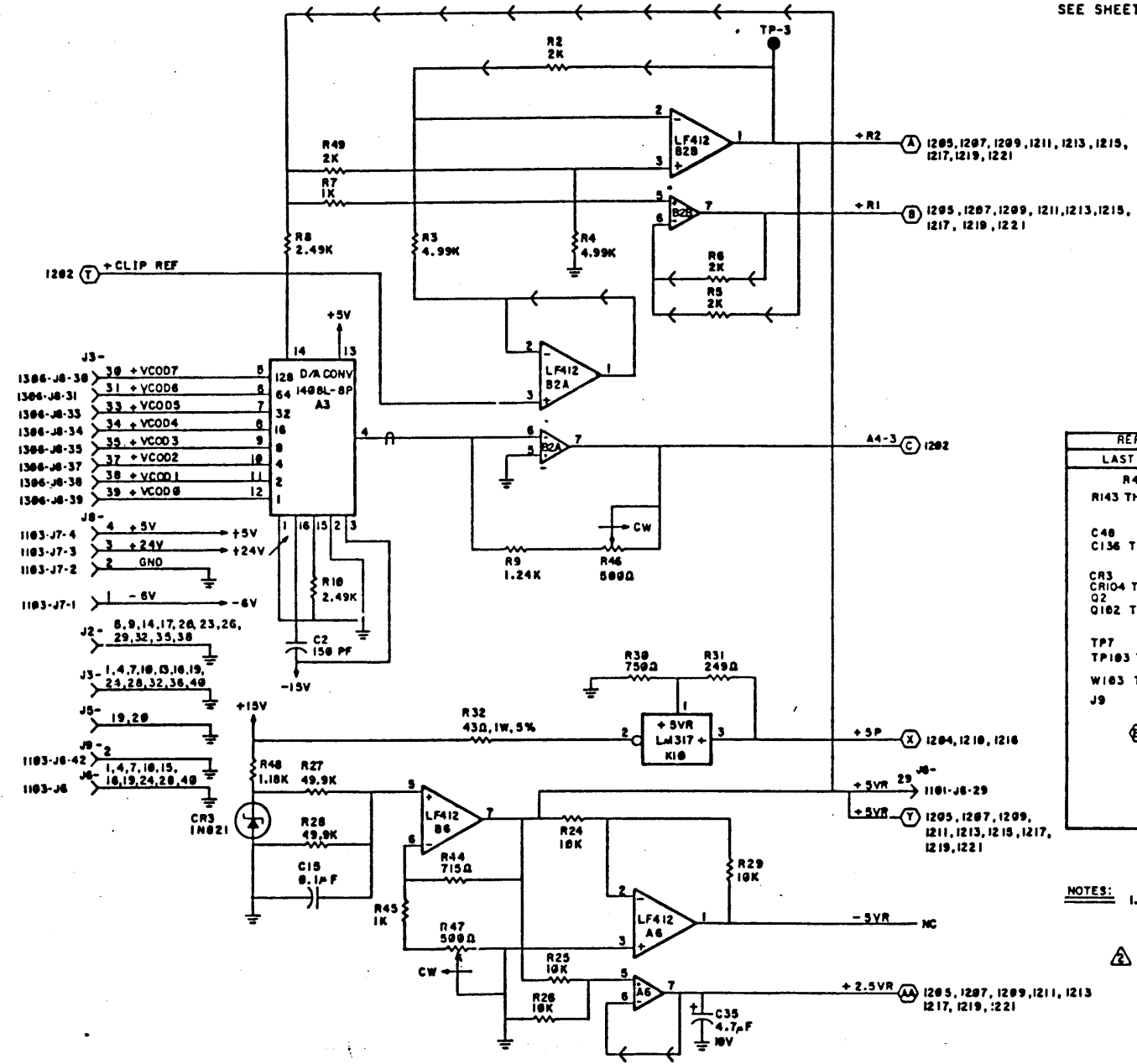
OPTION NAME: TU81-CA/CB		R	A0																	
PART NO.	DESCRIPTION																			
		THIS SHEET IS FOR REFERENCE PURPOSES ONLY																		
EVMB A	VAX DATA RELIABILITY DIAG.	4.0																		
EVMB B	VAX FRONT END FUNCT. DIAG.	3.0																		
M8739	LESI ADAPTER MODULE	86																		
NOTES:		R																		
		E	H	E																
		V	I	C																
		I	S	O																
		S	T																	
		I	C	N																
		O	R	O																
		N	Y																	
REVISION MATRIX (TCP-LEVEL AND COMPATIBILITY)																				
TITLE: TU81-CA/CB		SIZE	CODE	NUMBER	REV															
DIGITAL		K	RM	TU81-0-DBF	A															
REVISION MATRIX DOCUMENT		SHEET 6 OF 7																		

OPTION NAME:		TU81-CA/CB	R	A0																
			E																	
			V																	
PART NO.	DESCRIPTION				THIS SHEET IS FOR REFERENCE PURPOSES ONLY															
EK-CTU81-PG-001	TU81 POCKET SERVICE GUIDE			001																
EK-TUA81-TM-001	TU81/TA81 TECHNICAL MANUAL			001																
EK-TUA81-UG-001	TU81/TA81 USERS GUIDE			001																
EK-TJA81-SV-001	TU81/TA81 PATHFINDER			001																
EK-TJA81-IP-001	ILLUSTRATED PARTS BREAKDOWN			001																
MP 01618	FIELD MAINTENANCE PRINT SET			A																
NOTES:			R																	
			E	H	E															
			V	I	C															
			I	S	O															
			S	T																
			I	G	N															
			O	R	O															
			N	Y																
REVISION MATRIX (TCP LEVEL AND COMPATIBILITY)					D															
					A															
					T															
					E															
TITLE:		TU81-CA/CB																		
d i g i t a l		REVISION MATRIX DOCUMENT																		
		SHEET 7 OF 7																		
		SIZE	CODE	NUMBER	REV															
		K	RM	TU81-0-DBF	A															

510

THIS DRAWING AND SPECIFICATIONS HEREOF ARE THE PROPERTY OF DIGITAL EQUIPMENT CORPORATION AND SHALL NOT BE REPRODUCED OR COPIED IN WHOLE OR IN PART AS THE BASIS FOR THE MANUFACTURE OR SALE OF ITEMS WITHOUT WRITTEN PERMISSION. COPYRIGHT © 1964, DIGITAL EQUIPMENT CORPORATION

SEE SHEET '0' FOR REVISIONS



IC ELEMENTS NOT USED		
TYPE	LOC	OUTPUTS
3432	C9	13
	C8	13
	C3	13
7408	C6	6
	C5	6
	C2	6
74LS04	A8	4
74LS08	A9	8
74LS32	C7	3
	C4	3
	C1	3
7407	B1	10

REFERENCE DESIGNATIONS	
LAST USED	NOT USED
R49	R20, R21, R23
R143 THRU R943	R131 THRU R931
	R139 THRU R739
C48	C3, C4, C5
C136 THRU C736	C123 THRU C923
	C124 THRU C924
CR3	Q2
CR104 THRU CR904	Q182 THRU Q902
Q2	
Q182 THRU Q902	
TP7	TP1, TP2, TP4, TP5
TP103 THRU TP903	
W103 THRU W903	W103 THRU W903
J9	J4, J7

NOTES:
 1. UNLESS OTHERWISE SPECIFIED ALL RESISTORS ARE 1/4W, 1%
 ALL DIODES ARE IN4148
 Ⓢ DENOTES RFU (RESERVED FOR FUTURE USE) COMPONENTS.

SHEETS 2 THRU 22 ARE "C" SIZE
 77022970

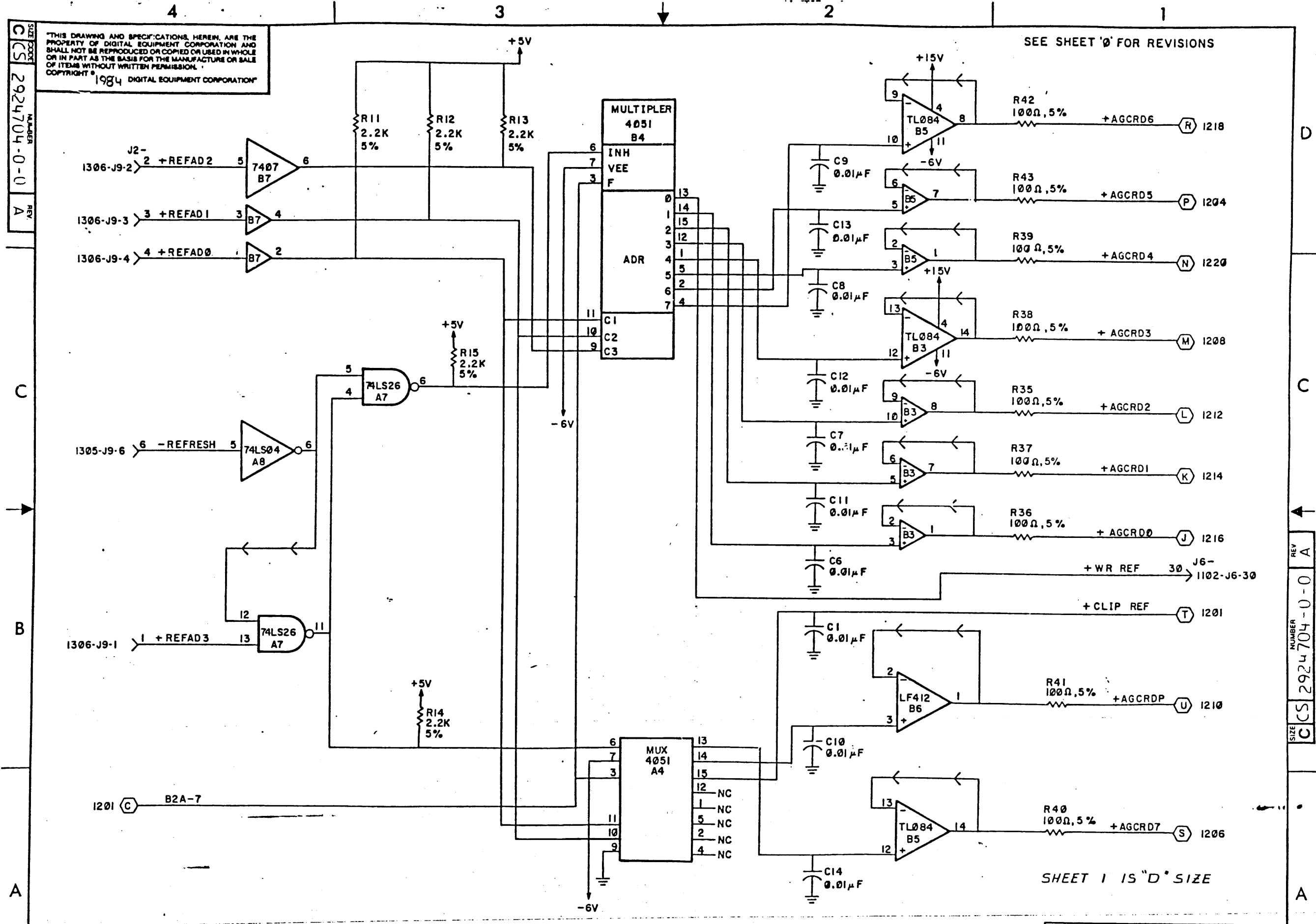
DRN. #	2/1/68	FIRST USED ON	digital
CHK'D		TITLE	
ENG.			
PROJ. ENG.			
PROD.			
NEXT HIGHER ASSY.			
SCALE	D CS	NUMBER	2924704-0-0
SHEET	1 OF 22	DIST.	SHR 1

REV.	
CHANGE NO.	
CHK	

SHEET NUMBER
 C/S 2924704-0-0
 REV A

THIS DRAWING AND SPECIFICATIONS HEREIN ARE THE PROPERTY OF DIGITAL EQUIPMENT CORPORATION AND SHALL NOT BE REPRODUCED OR COPIED OR USED IN WHOLE OR IN PART AS THE BASIS FOR THE MANUFACTURE OR SALE OF ITEMS WITHOUT WRITTEN PERMISSION.
 COPYRIGHT © 1984 DIGITAL EQUIPMENT CORPORATION

SEE SHEET '0' FOR REVISIONS



C
 B
 A

D
 C
 A

REV A
 NUMBER
 C/S 2924704-0-0
 SIZE

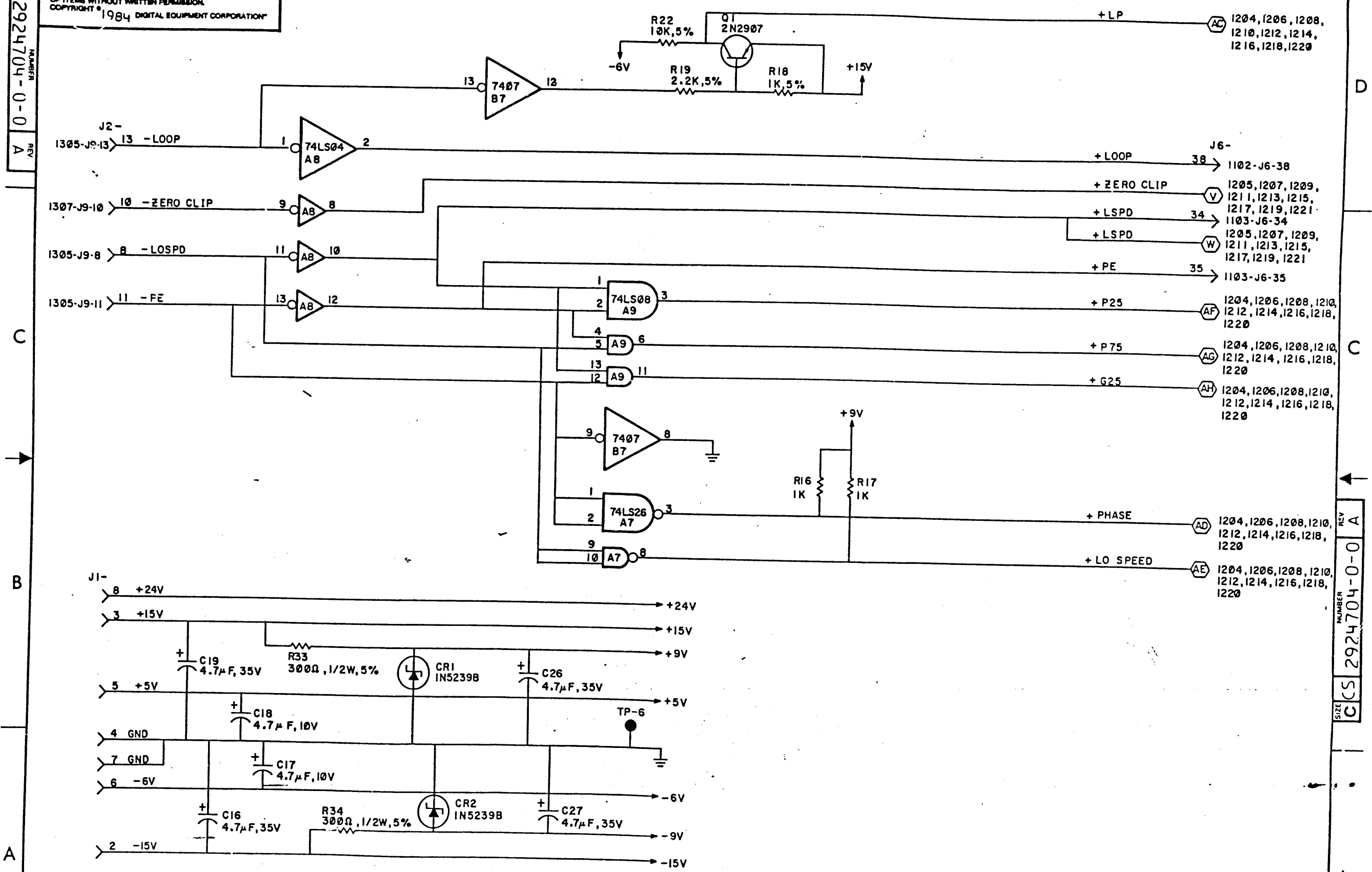
SHEET 1 IS "D" SIZE

TITLE		DOCUMENT NUMBER			
READ AMPLIFIER		SIZE	CODE	NUMBER	REV.
LOC. A1A2		C	CS	2924704-0-0	A
CROSS REF NO	1202	SHEET 2 OF 22		PAGE	

SIZE CODE
CS 2924704-0-0
NUMBER
REV
A

THIS DRAWING AND SPECIFICATIONS HEREIN ARE THE PROPERTY OF DIGITAL EQUIPMENT CORPORATION AND SHALL NOT BE REPRODUCED OR COPIED OR USED IN WHOLE OR IN PART AS THE BASIS FOR THE MANUFACTURE OR SALE OF ITEMS WITHOUT WRITTEN PERMISSION.
COPYRIGHT © 1984 DIGITAL EQUIPMENT CORPORATION

SEE SHEET '0' FOR REVISIONS



TITLE		DOCUMENT NUMBER			
READ AMPLIFIER		SIZE	CODE	NUMFR	CD
LOC. A1A2		C	CS	2924704-0-0	A
CROSS REF. NO	1203	SHEET 3 OF 22		PAGE	

DRC 1118

THIS DRAWING AND SPECIFICATIONS, HEREIN, ARE THE PROPERTY OF DIGITAL EQUIPMENT CORPORATION AND SHALL NOT BE REPRODUCED OR COPIED OR USED IN WHOLE OR IN PART AS THE BASIS FOR THE MANUFACTURE OR SALE OF ITEMS WITHOUT WRITTEN PERMISSION. COPYRIGHT © 1984 DIGITAL EQUIPMENT CORPORATION

SIZE CODE
CS 2924704-0-0
REV. A

C

B

A

1203 (AF) +P25
1203 (AG) +P75
1203 (AH) +G25

J9-4 +LPW5 TK1
1105-J6-44

1203 (AC) +LP
1201 (X) +5P

FROM READ HEAD
J5-18
17

1202 (P) +AGCR05

1203 (AD) +PHASE
1203 (AE) +LO SPEED

DRC 1118

4

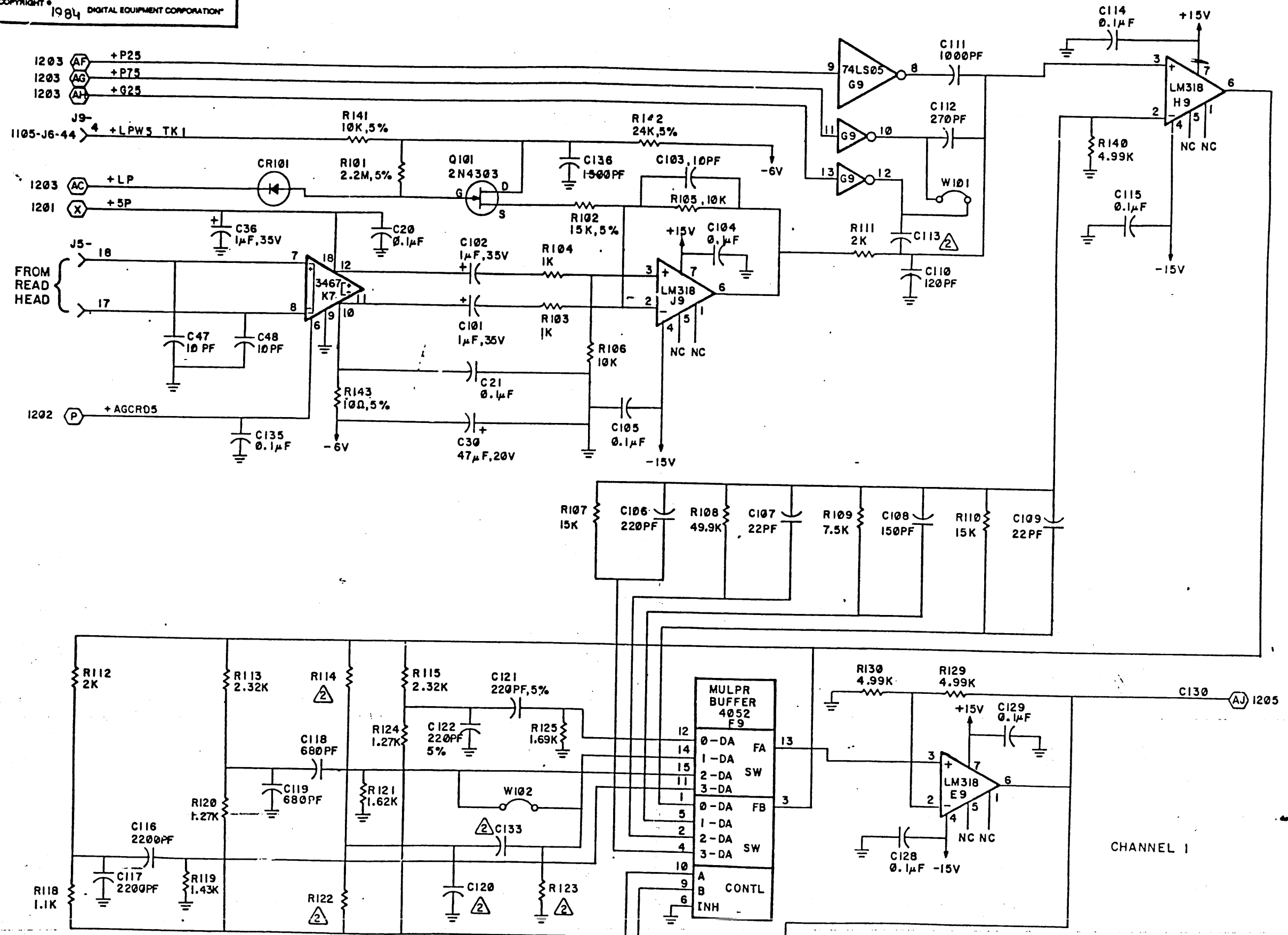
2

3

2

1

SEE SHEET '0' FOR REVISIONS



SIZE CODE
CS 2924704-0-0
REV. A

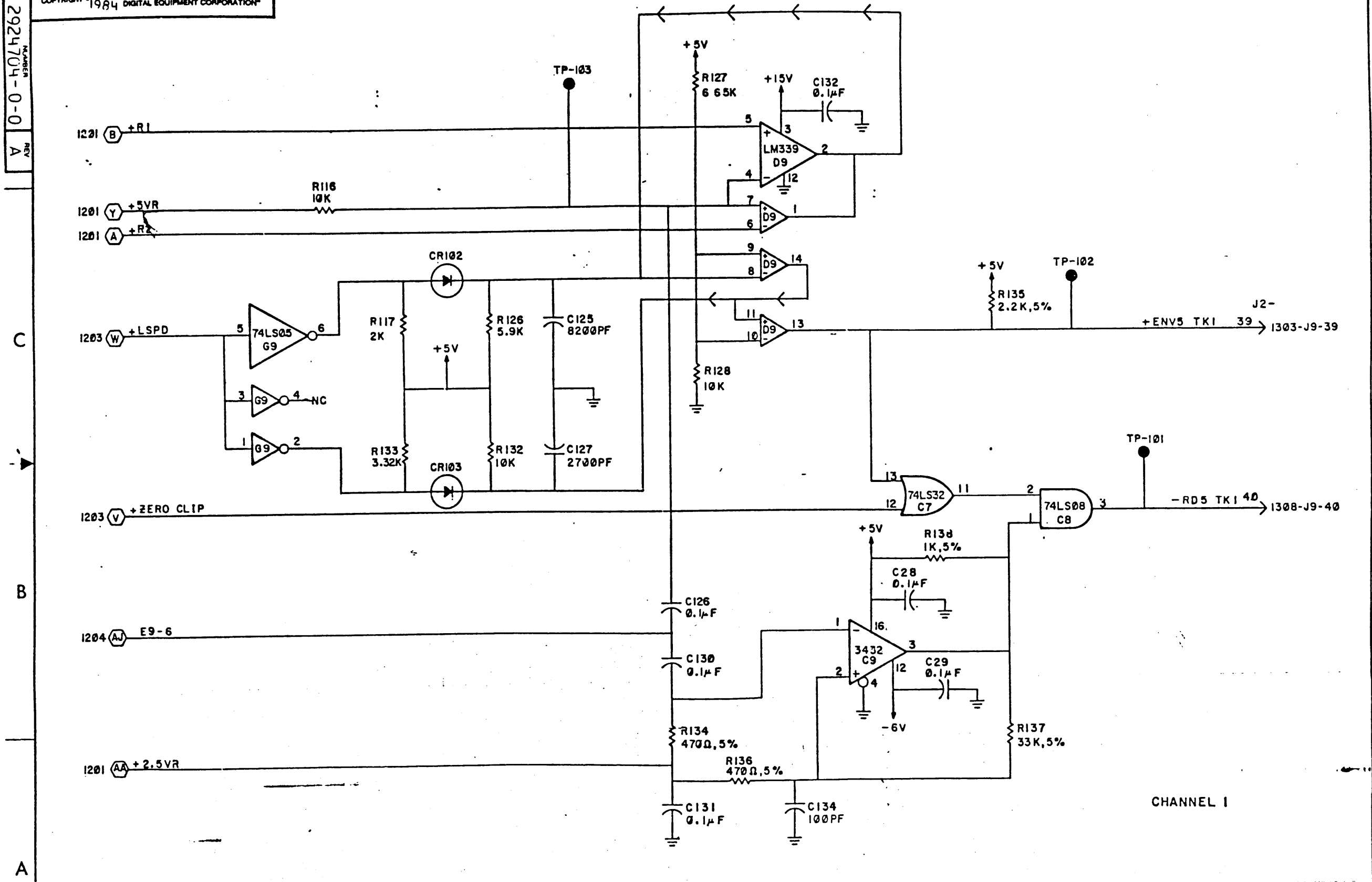
A

TITLE		DOCUMENT NUMBER	
READ AMPLIFIER LOC. A1A2		NUMBER CS 2924704-0-0	
SIZE	CODE	CD	REV.
C	CS		A
CROSS REF NO	1204	SHEET	4 OF 22
PAGE			

SIZE CODE
 C CS
 NUMBER
 2924704-0-0
 REV
 A

"THIS DRAWING AND SPECIFICATIONS HEREIN, ARE THE PROPERTY OF DIGITAL EQUIPMENT CORPORATION AND SHALL NOT BE REPRODUCED OR COPIED OR USED IN WHOLE OR IN PART AS THE BASIS FOR THE MANUFACTURE OR SALE OF ITEMS WITHOUT WRITTEN PERMISSION.
 COPYRIGHT © 1984 DIGITAL EQUIPMENT CORPORATION"

SEE SHEET '0' FOR REVISIONS



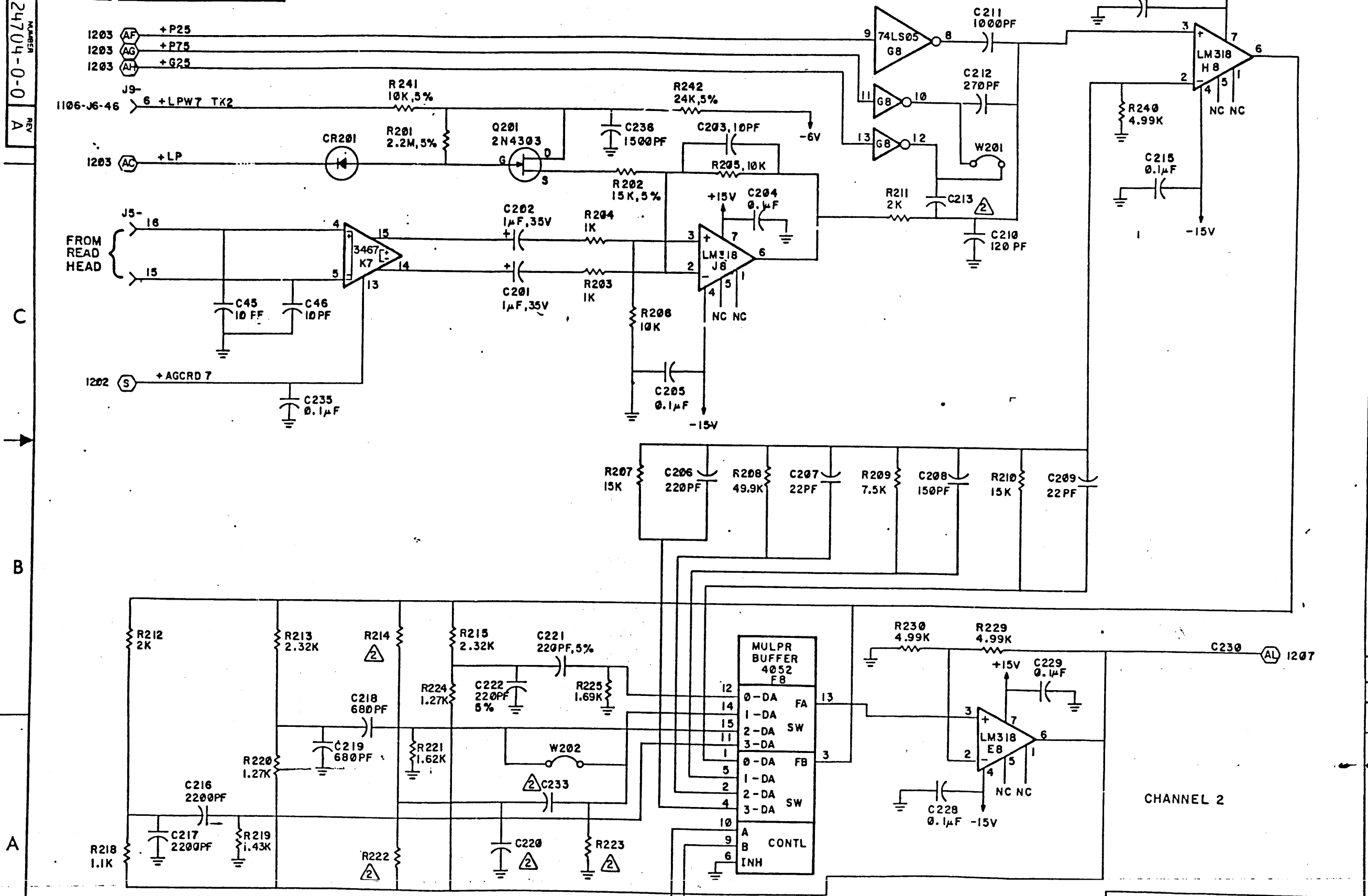
CHANNEL 1

TITLE		DOCUMENT NUMBER			
READ AMPLIFIER LOC. A1A2		SIZE CODE	NUMBER	CD	REV.
		C CS	2924704-0-0		A
CROSS REF. NO.	1205	SHEET 5 OF 22		PAGE	

SIZE CODE
 CCS 2924704-0-0
 NUMBER
 REV
 A

THIS DRAWING AND SPECIFICATIONS HEREIN ARE THE PROPERTY OF DIGITAL EQUIPMENT CORPORATION AND SHALL NOT BE REPRODUCED OR COPIED OR USED IN WHOLE OR IN PART AS THE BASIS FOR THE MANUFACTURE OR SALE OF ITEMS WITHOUT WRITTEN PERMISSION.
 COPYRIGHT © 1984 DIGITAL EQUIPMENT CORPORATION

SEE SHEET '0' FOR REVISIONS



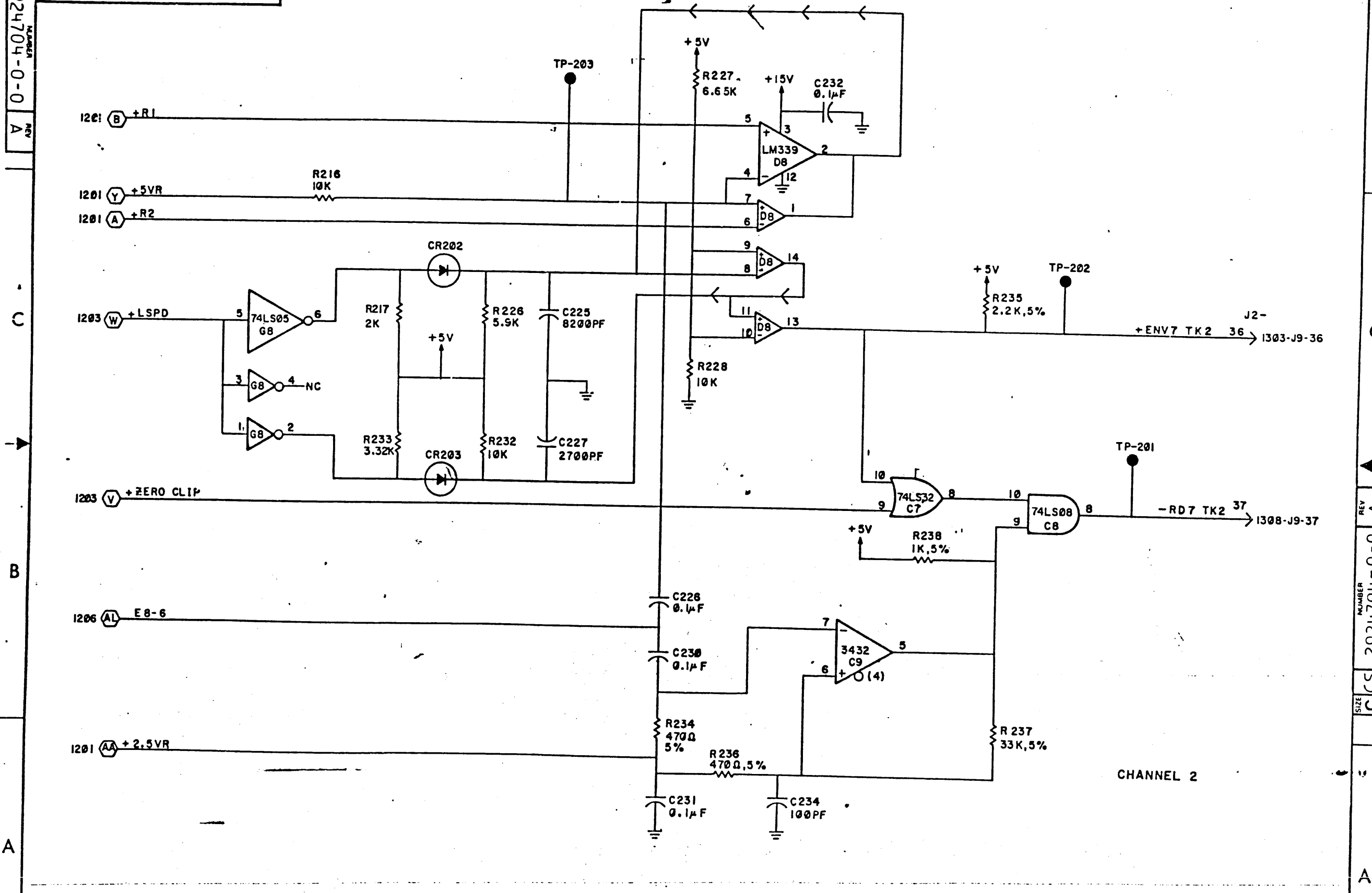
1203 AD + PHASE
 1203 AE + LO SPEED

TITLE		DOCUMENT NUMBER			
READ AMPLIFIER LOC, AIA2		SIZE CODE	NUMBER	CD	REV
		CCS	2924704-0-0		A
CROSS REF NO	1206	SHEET 6 OF 22		PAGE	

SIZE CODE
 CCS 2924704-0-0
 NUMBER
 A

THIS DRAWING AND SPECIFICATIONS HEREIN ARE THE PROPERTY OF DIGITAL EQUIPMENT CORPORATION AND SHALL NOT BE REPRODUCED OR COPIED OR USED IN WHOLE OR IN PART AS THE BASIS FOR THE MANUFACTURE OR SALE OF ITEMS WITHOUT WRITTEN PERMISSION.
 COPYRIGHT © 1984 DIGITAL EQUIPMENT CORPORATION

SEE SHEET '0' FOR REVISIONS



TITLE		DOCUMENT NUMBER			
READ AMPLIFIER		SIZE	CODE	NUMBER	CD
LOC. A1A2		C	CS	2924704-0-0	A
CROSS REF NO	1207	SHEET 7 OF 22		PAGE	

THIS DRAWING AND SPECIFICATIONS, HEREIN, ARE THE PROPERTY OF DIGITAL EQUIPMENT CORPORATION AND SHALL NOT BE REPRODUCED OR COPIED OR USED IN WHOLE OR IN PART AS THE BASIS FOR THE MANUFACTURE OR SALE OF ITEMS WITHOUT WRITTEN PERMISSION. COPYRIGHT © 1984 DIGITAL EQUIPMENT CORPORATION

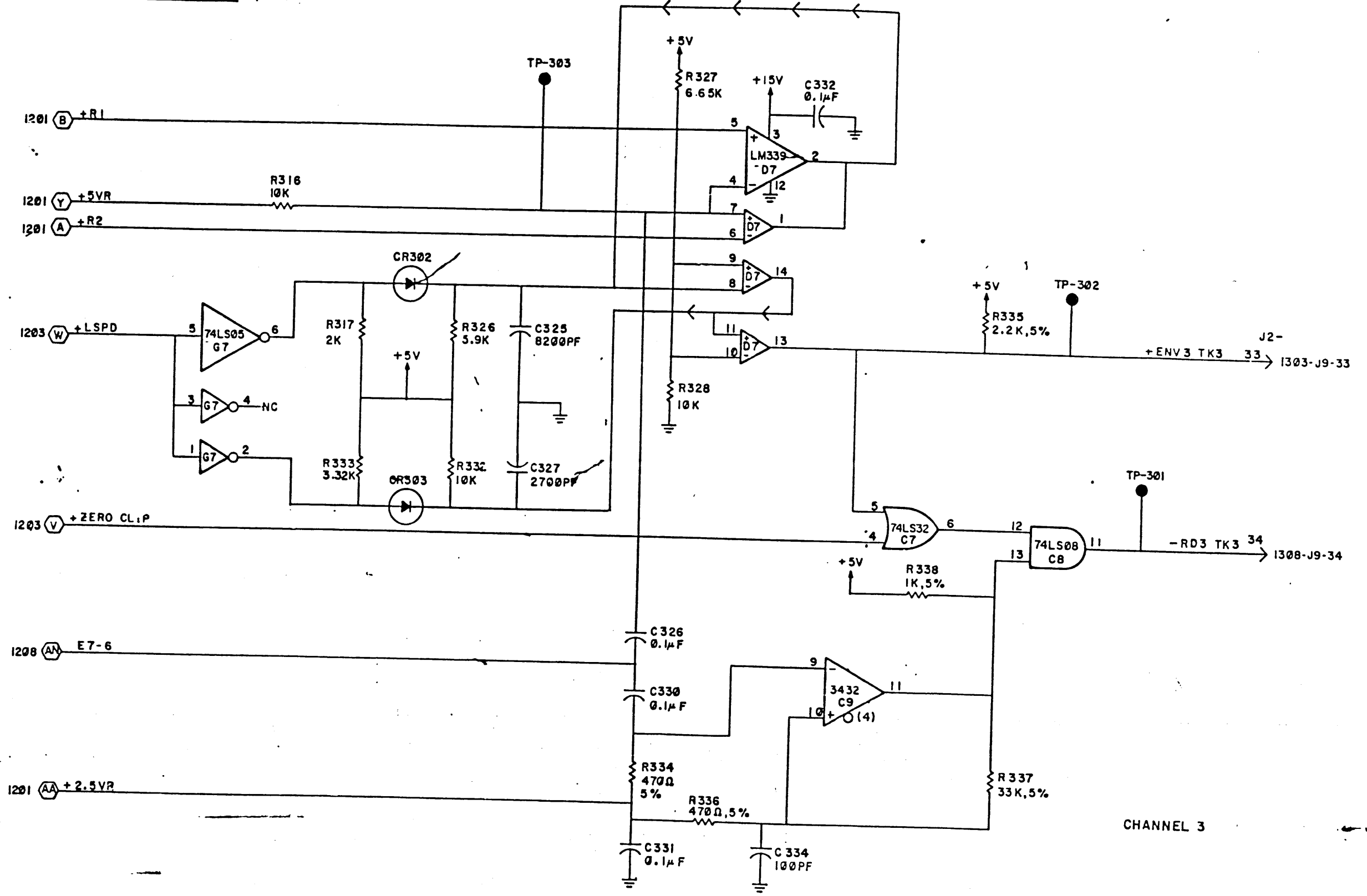
SEE SHEET '0' FOR REVISIONS

SIZE CODE
CS
NUMBER
2924704-0-0
REV
A

C

B

A



D

C

A

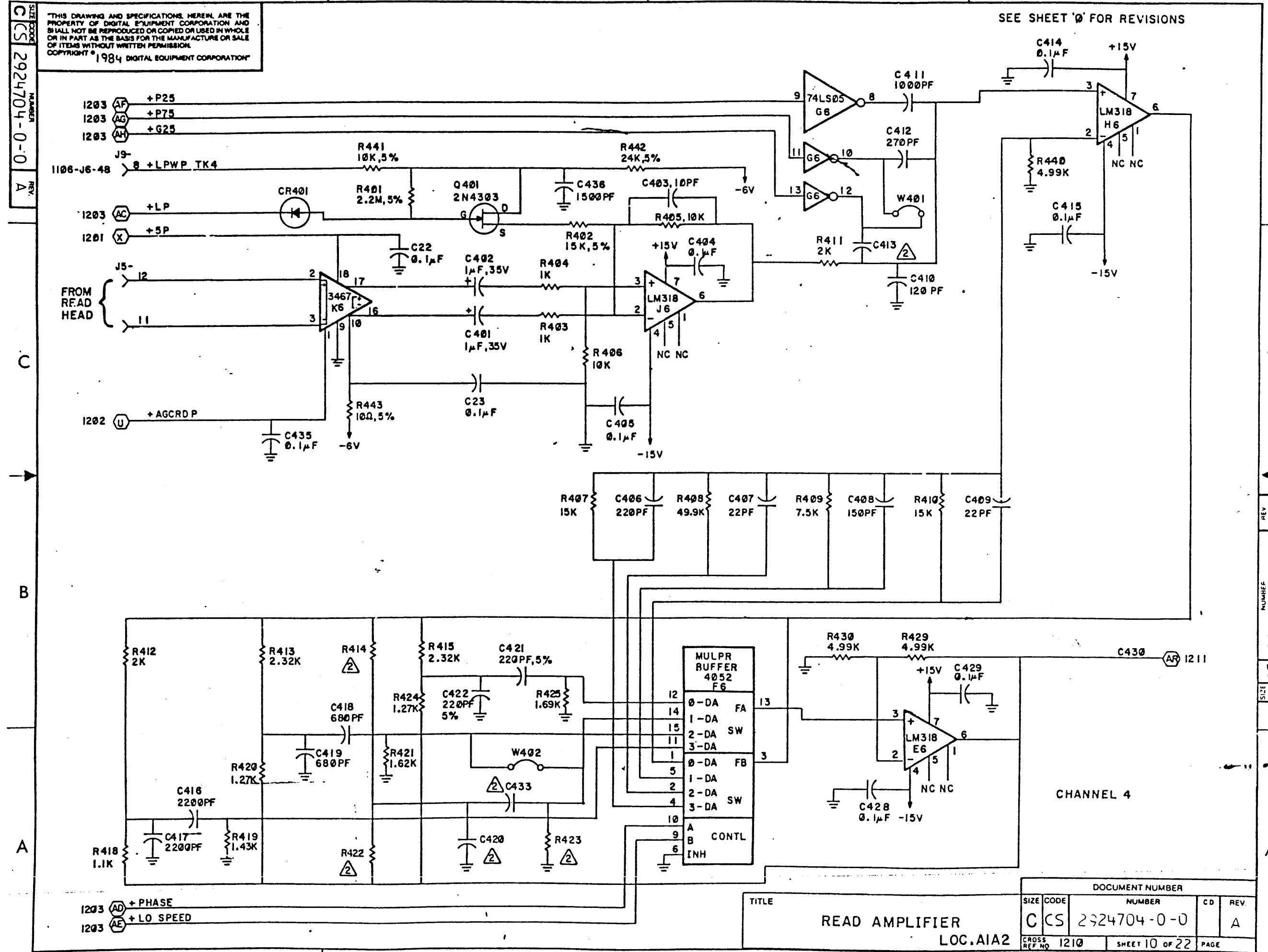
A

REV
A
NUMBER
2924704-0-0
SIZE
CS

TITLE		DOCUMENT NUMBER			
READ AMPLIFIER		SIZE	CODE	NUMBER	CO
LOC.A1A2		CS	CS	2924704-0-0	A
CROSS REF NO	1209	SHEET 9 OF 22		PAGE	

THIS DRAWING AND SPECIFICATIONS HEREIN ARE THE PROPERTY OF DIGITAL EQUIPMENT CORPORATION AND SHALL NOT BE REPRODUCED OR COPIED OR USED IN WHOLE OR IN PART AS THE BASIS FOR THE MANUFACTURE OR SALE OF ITEMS WITHOUT WRITTEN PERMISSION.
 COPYRIGHT © 1984 DIGITAL EQUIPMENT CORPORATION

SEE SHEET '0' FOR REVISIONS



SIZE CODE NUMBER
 CS 2924704-0-0
 REV. A

REV. A
 NUMBER CS 2924704-0-0
 SIZE CODE

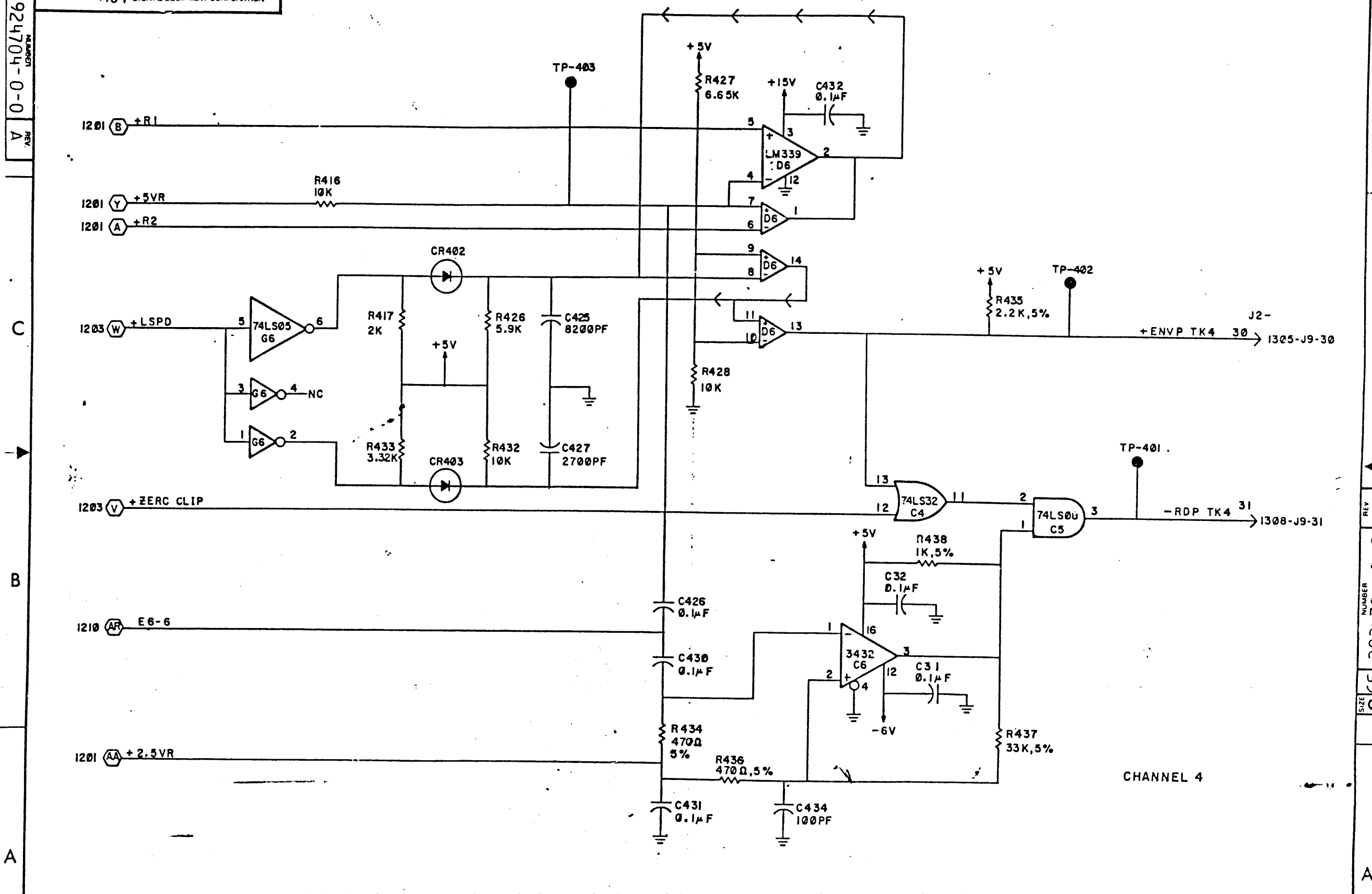
1203 AD + PHASE
 1203 AE + LO SPEED

TITLE				DOCUMENT NUMBER			
READ AMPLIFIER				CS 2924704-0-0			
LOC. A1A2				CD	REV.		
CROSS REF. NO.	1210	SHEET	10 OF 22	PAGE			

SIZE CODE
CS 2924704-0-0
REV. A

THIS DRAWING AND SPECIFICATIONS HEREIN ARE THE PROPERTY OF DIGITAL EQUIPMENT CORPORATION AND SHALL NOT BE REPRODUCED OR COPIED OR USED IN WHOLE OR IN PART AS THE BASIS FOR THE MANUFACTURE OR SALE OF ITEMS WITHOUT WRITTEN PERMISSION
COPYRIGHT © 1984 DIGITAL EQUIPMENT CORPORATION

SEE SHEET '0' FOR REVISIONS

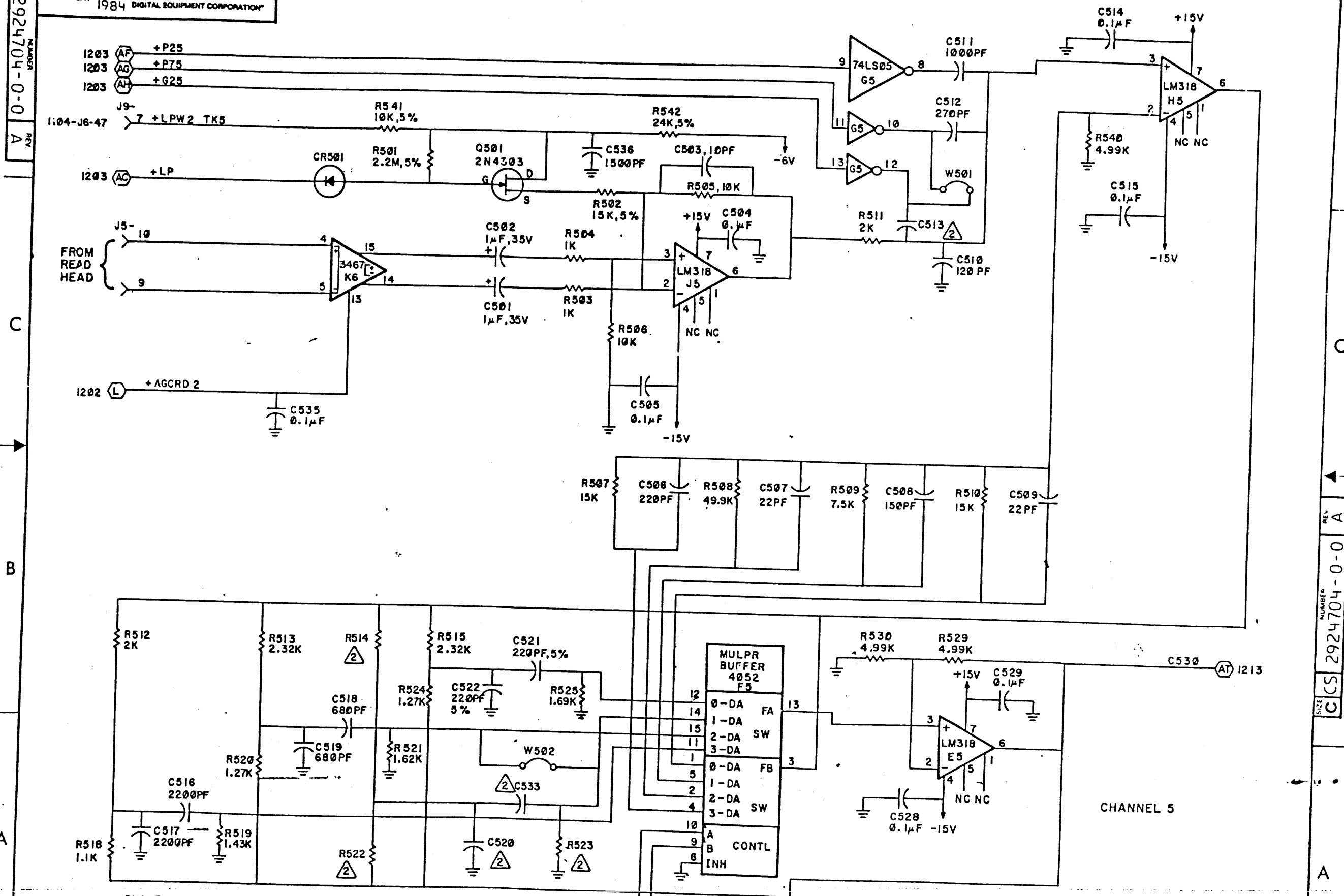


TITLE		DOCUMENT NUMBER			
READ AMPLIFIER LOC.A1A2		SIZE	CODE	NUMBER	CD REV
		CS		2924704-0-0	A
CROSS REF NO	1211	SHEET 11 OF 22		PAGE	

THIS DRAWING AND SPECIFICATIONS HEREIN ARE THE PROPERTY OF DIGITAL EQUIPMENT CORPORATION AND SHALL NOT BE REPRODUCED OR COPIED OR USED IN WHOLE OR IN PART AS THE BASIS FOR THE MANUFACTURE OR SALE OF ITEMS WITHOUT WRITTEN PERMISSION.
 COPYRIGHT © 1984 DIGITAL EQUIPMENT CORPORATION

SIZE CODE
 C CS 2924704-0-0
 NUMBER
 REV
 A

SEE SHEET '0' FOR REVISIONS



1203 (AD) + PHASE
 1203 (AE) + LO SPEED

TITLE
 READ AMPLIFIER
 LOC. A1A2

DOCUMENT NUMBER		CD	REV
SIZE CODE	NUMBER		
C CS	2924704-0-0		A
CROSS REF NO	SHEET	OF	PAGE
1212	12	22	

DRC 1118

A

B

C

A

REV

A

C

D

4

3

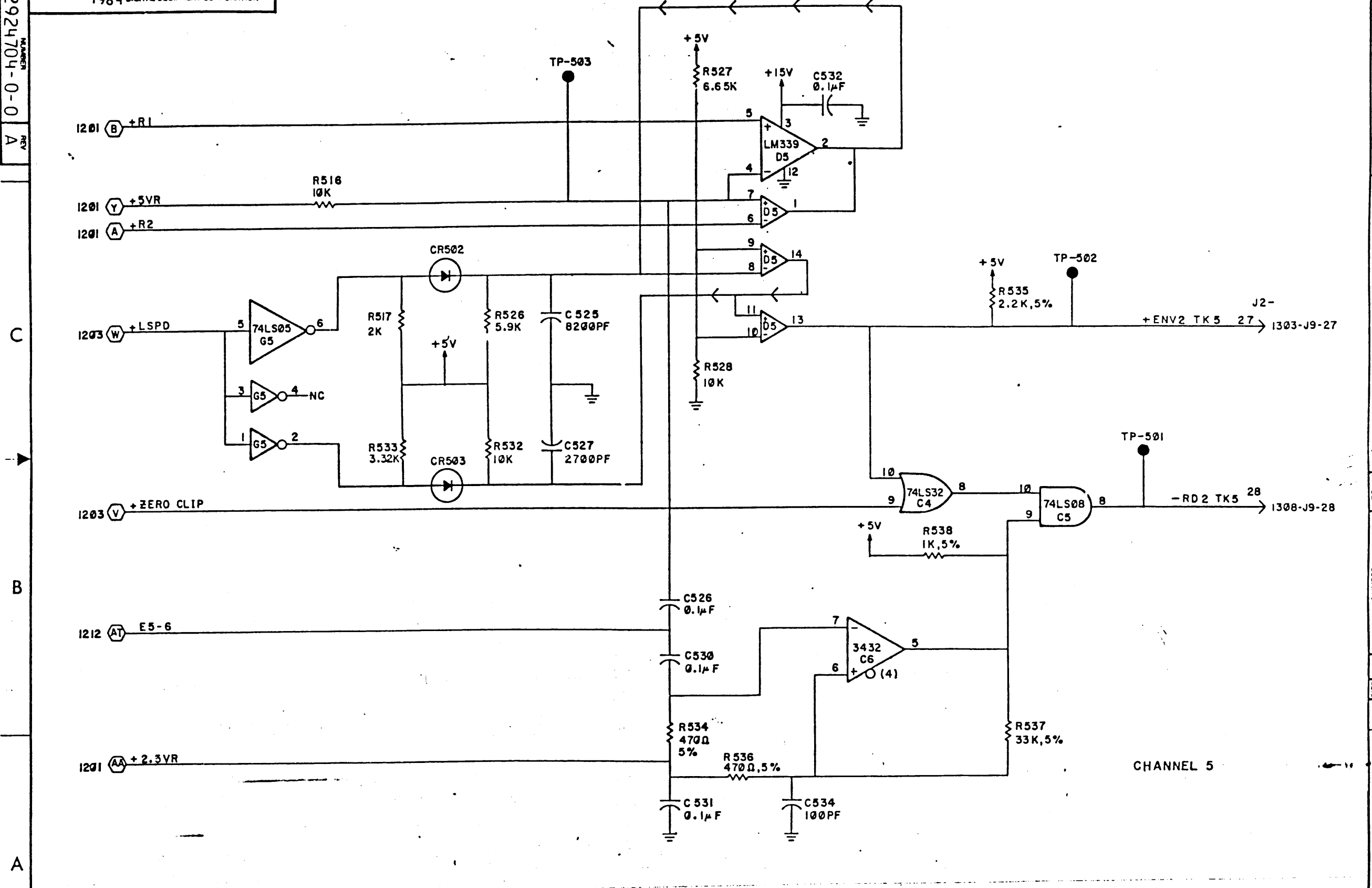
2

1

SIZE CODE
 CCS 2924704-0-0
 NUMBER
 REV
 A

THIS DRAWING AND SPECIFICATIONS HEREIN ARE THE PROPERTY OF DIGITAL EQUIPMENT CORPORATION AND SHALL NOT BE REPRODUCED OR COPIED OR USED IN WHOLE OR IN PART AS THE BASIS FOR THE MANUFACTURE OR SALE OF ITEMS WITHOUT WRITTEN PERMISSION.
 COPYRIGHT © 1984 DIGITAL EQUIPMENT CORPORATION

SEE SHEET '0' FOR REVISIONS



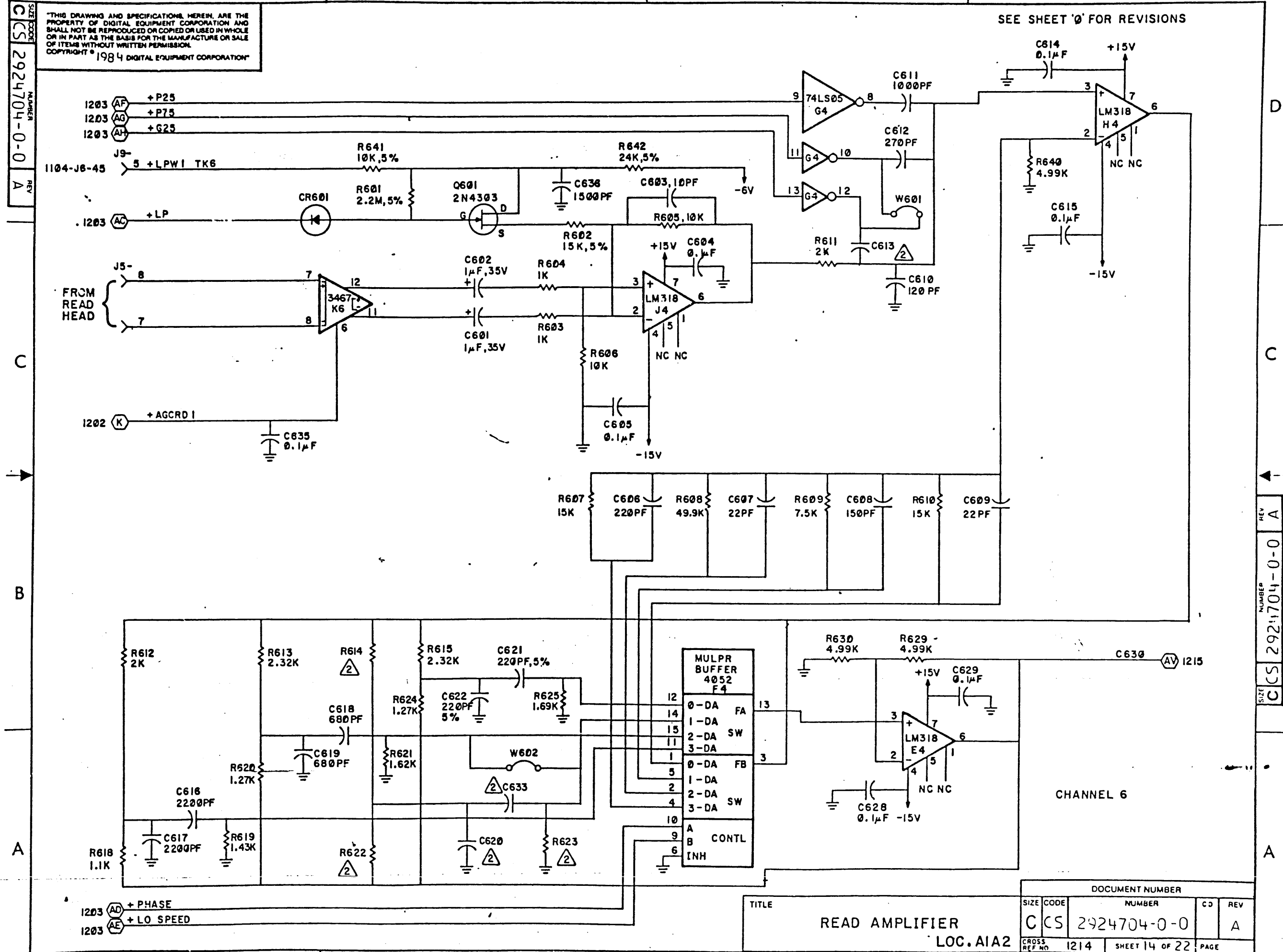
CHANNEL 5

TITLE
 READ AMPLIFIER
 LOC. A1A2

DOCUMENT NUMBER			
SIZE	CODE	NUMBER	REV
C	CS	2924704-0-0	A
CROSS REF NO	1213	SHEET 13 OF 22	PAGE

THIS DRAWING AND SPECIFICATIONS HEREIN ARE THE PROPERTY OF DIGITAL EQUIPMENT CORPORATION AND SHALL NOT BE REPRODUCED OR COPIED OR USED IN WHOLE OR IN PART AS THE BASIS FOR THE MANUFACTURE OR SALE OF ITEMS WITHOUT WRITTEN PERMISSION. COPYRIGHT © 1984 DIGITAL EQUIPMENT CORPORATION

SEE SHEET '0' FOR REVISIONS



SIZE CODE
 NUMBER
 2924704-0-0
 REV
 A

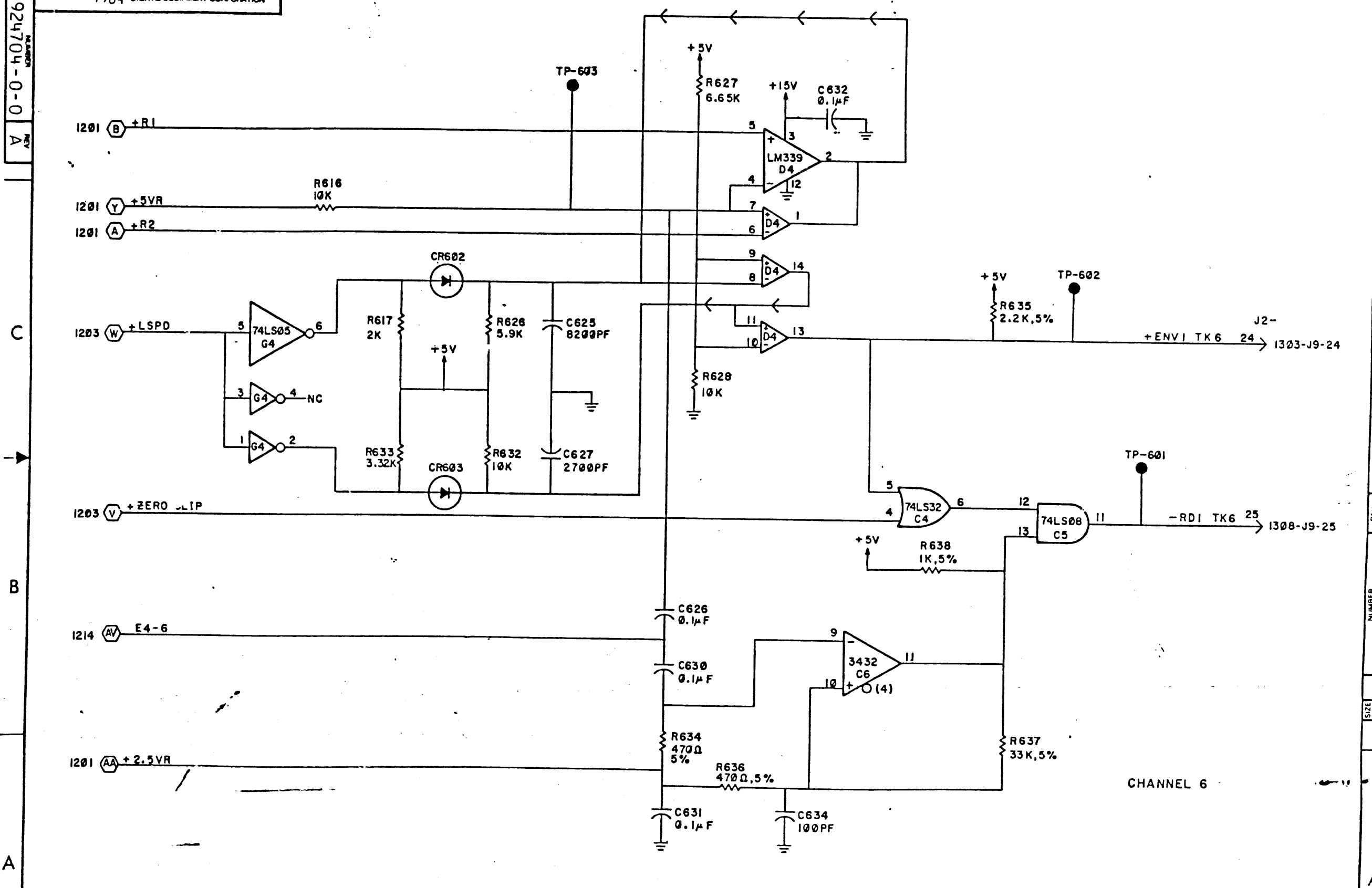
REV
 A
 NUMBER
 2924704-0-0
 SIZE CODE
 CCS

TITLE		DOCUMENT NUMBER			
READ AMPLIFIER LOC. A1A2		SIZE CODE	NUMBER	CD	REV
		CCS	2924704-0-0		A
CROSS REF NO	1214	SHEET 14 OF 22		PAGE	

SIZE CODE
 CS 2924704-0-0
 NUMBER
 A

THIS DRAWING AND SPECIFICATIONS HEREIN ARE THE PROPERTY OF DIGITAL EQUIPMENT CORPORATION AND SHALL NOT BE REPRODUCED OR COPIED OR USED IN WHOLE OR IN PART AS THE BASIS FOR THE MANUFACTURE OR SALE OF ITEMS WITHOUT WRITTEN PERMISSION.
 COPYRIGHT © 1984 DIGITAL EQUIPMENT CORPORATION

SEE SHEET '0' FOR REVISIONS

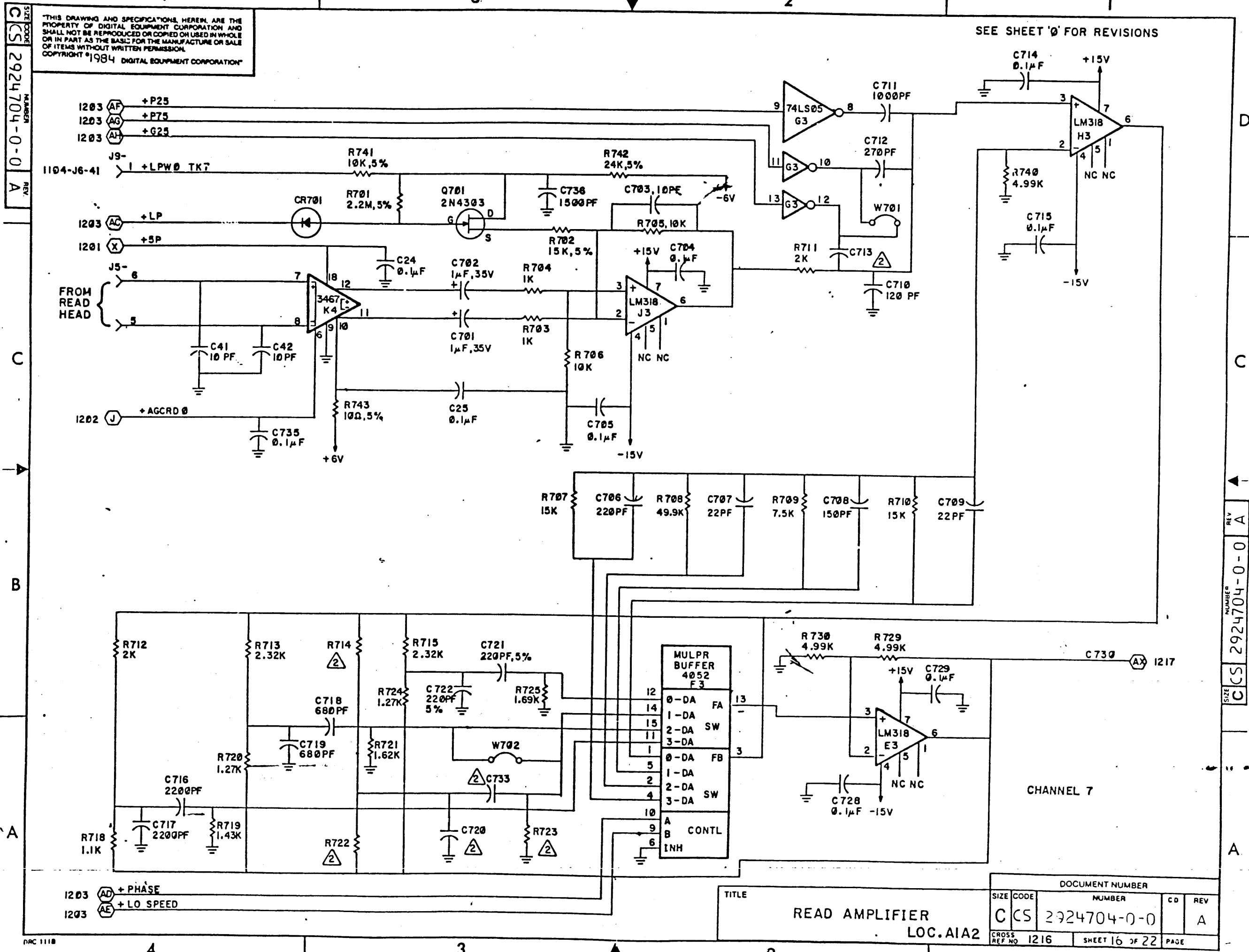


CHANNEL 6

TITLE		DOCUMENT NUMBER			
READ AMPLIFIER LOC. A1A2		SIZE	CODE	NUMBER	CD
		C	CS	2924704-0-0	A
CROSS REF. NO.	1215	SHEET	15	OF	22
PAGE					

THIS DRAWING AND SPECIFICATIONS, HEREIN, ARE THE PROPERTY OF DIGITAL EQUIPMENT CORPORATION AND SHALL NOT BE REPRODUCED OR COPIED OR USED IN WHOLE OR IN PART AS THE BASIS FOR THE MANUFACTURE OR SALE OF ITEMS WITHOUT WRITTEN PERMISSION.
 COPYRIGHT © 1984 DIGITAL EQUIPMENT CORPORATION

SEE SHEET '0' FOR REVISIONS



SIZE CODE
 CS 2924704-0-0
 NUMBER
 2924704-0-0
 REV
 A

D
 C
 B
 A
 REV
 A
 NUMBER
 CS 2924704-0-0
 SIZE
 CS

TITLE
 READ AMPLIFIER
 LOC. A1A2

DOCUMENT NUMBER			
SIZE	CODE	NUMBER	REV
C	CS	2924704-0-0	A
CROSS REF NO		1216	SHEET 16 OF 22
		PAGE	

THIS DRAWING AND SPECIFICATIONS HEREIN ARE THE PROPERTY OF DIGITAL EQUIPMENT CORPORATION AND SHALL NOT BE REPRODUCED OR COPIED OR USED IN WHOLE OR IN PART AS THE BASIS FOR THE MANUFACTURE OR SALE OF ITEMS WITHOUT WRITTEN PERMISSION. COPYRIGHT © 1984 DIGITAL EQUIPMENT CORPORATION

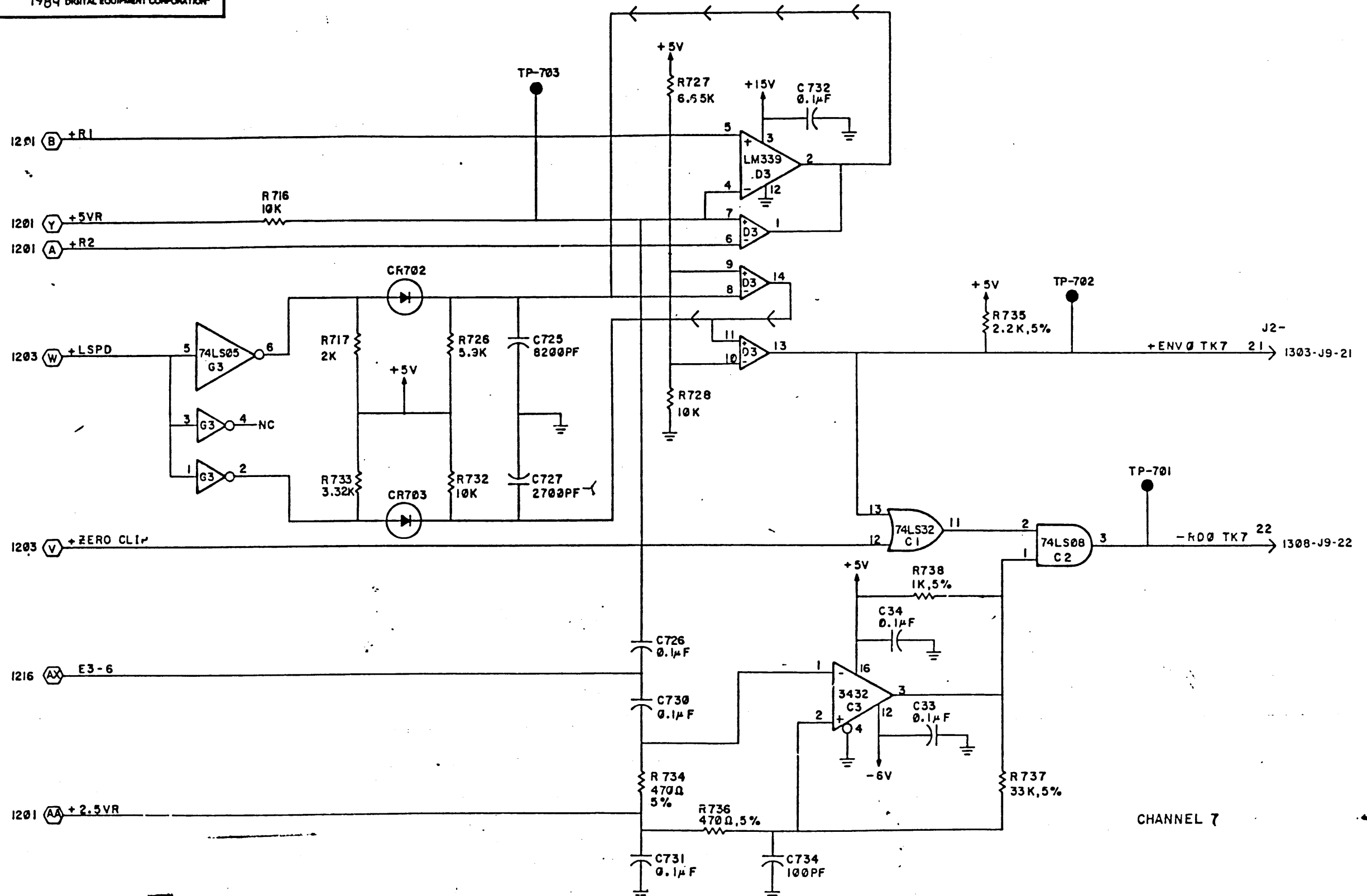
SEE SHEET '0' FOR REVISIONS

SIZE CODE
CS
NUMBER
2924704-0-0
REV
A

C

B

A



D

C

A

A

REV
A
NUMBER
2924704-0-0
SIZE
CS

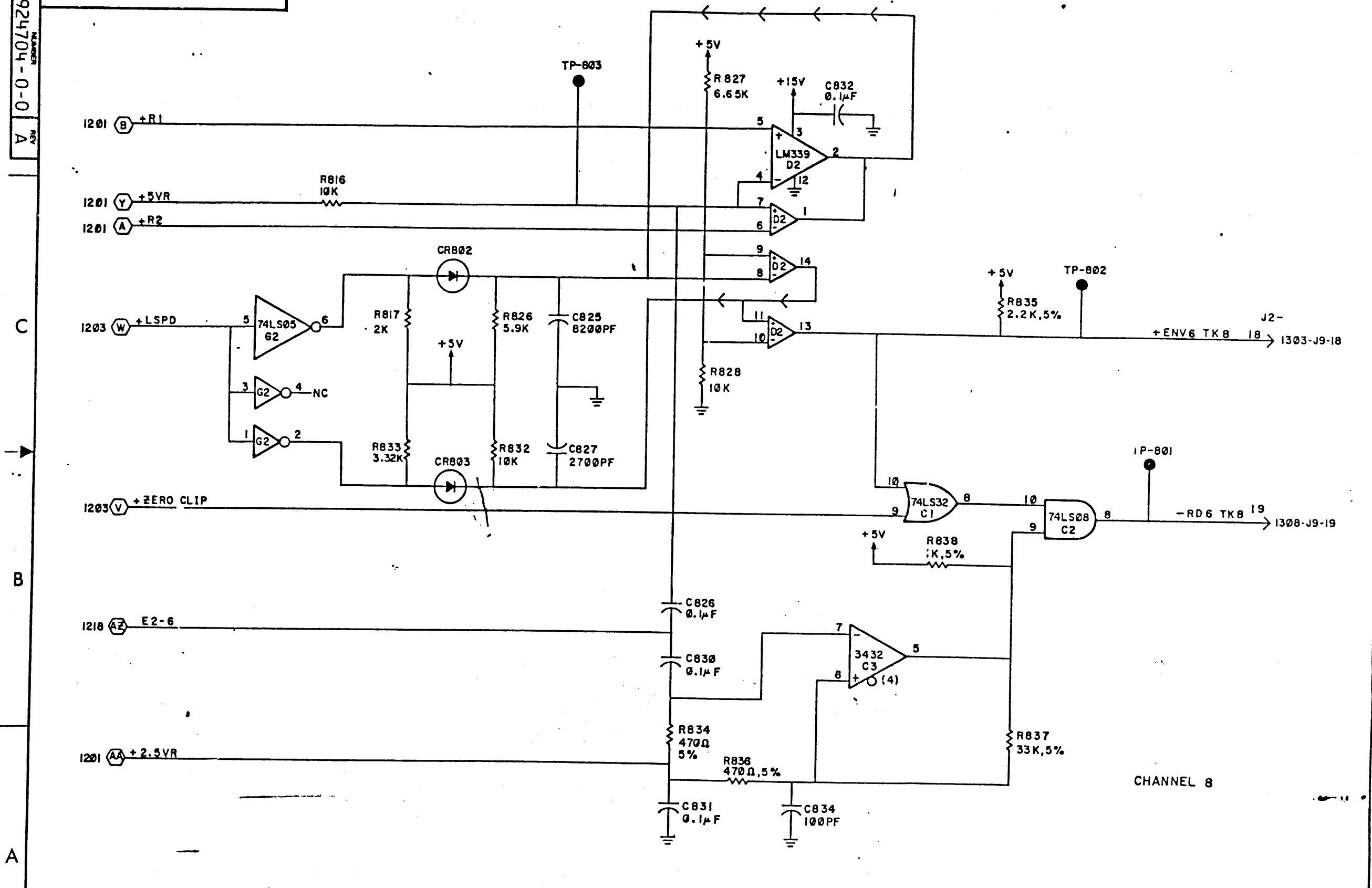
TITLE
READ AMPLIFIER
LOC.A1A2

DOCUMENT NUMBER				
SIZE	CODE	NUMBER	CD	REV
C	CS	2924704-0-0		A
CROSS REF NO	1217	SHEET 17 OF 22	PAGE	

SIZE CODE
 C CS 2924704-0-0
 REV A

THIS DRAWING AND SPECIFICATIONS HEREIN ARE THE PROPERTY OF DIGITAL EQUIPMENT CORPORATION AND SHALL NOT BE REPRODUCED OR COPIED OR USED IN WHOLE OR IN PART AS THE BASIS FOR THE MANUFACTURE OR SALE OF ITEMS WITHOUT WRITTEN PERMISSION.
 COPYRIGHT © 1984 DIGITAL EQUIPMENT CORPORATION

SEE SHEET '0' FOR REVISIONS



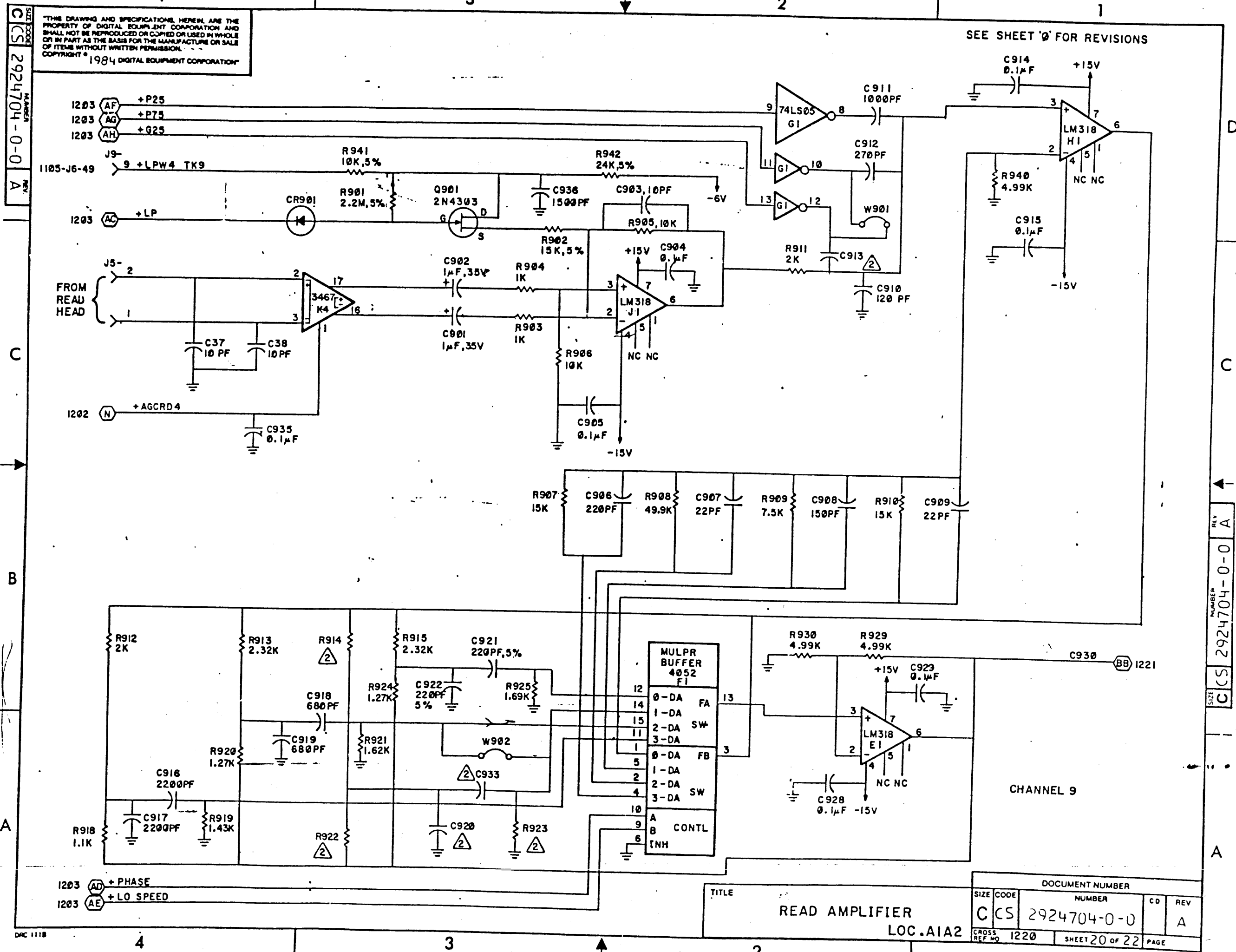
CHANNEL 8

TITLE		DOCUMENT NUMBER			
READ AMPLIFIER LOC. A1A2		SIZE CODE	NUMBER	CD	REV.
		C CS	2924704-0-0		A
CROSS REF NO	1219	SHEET 19 OF 22		PAGE	

SIZE CODE
 C CS 2924704-0-0
 REV A

THIS DRAWING AND SPECIFICATIONS HEREIN ARE THE PROPERTY OF DIGITAL EQUIPMENT CORPORATION AND SHALL NOT BE REPRODUCED OR COPIED OR USED IN WHOLE OR IN PART AS THE BASIS FOR THE MANUFACTURE OR SALE OF ITEMS WITHOUT WRITTEN PERMISSION. COPYRIGHT © 1984 DIGITAL EQUIPMENT CORPORATION

SEE SHEET '0' FOR REVISIONS



DATE CODE
CS 2924704-0-0
REV A

C

B

A

D

C

A

A

REV A
NUMBER 2924704-0-0
SIZE CS

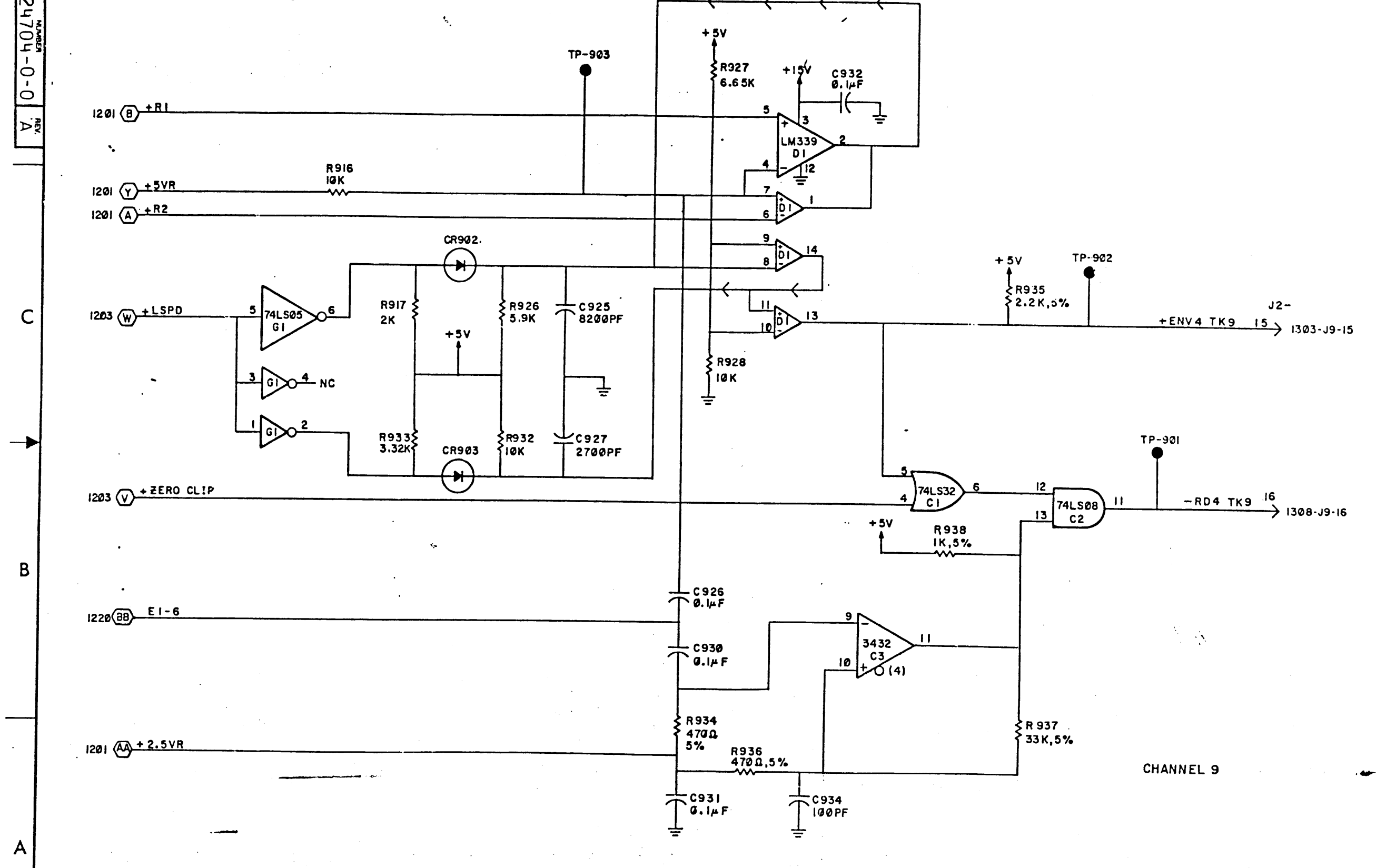
TITLE
READ AMPLIFIER
LOC.A1A2

DOCUMENT NUMBER			
SIZE	CODE	NUMBER	REV
C	CS	2924704-0-0	A
CROSS REF NO 1220		SHEET 20 OF 22	PAGE

SIZE CODE
 CS 2924704-0-0
 REV. A

THIS DRAWING AND SPECIFICATIONS, HEREIN, ARE THE PROPERTY OF DIGITAL EQUIPMENT CORPORATION AND SHALL NOT BE REPRODUCED OR COPIED OR USED IN WHOLE OR IN PART AS THE BASIS FOR THE MANUFACTURE OR SALE OF ITEMS WITHOUT WRITTEN PERMISSION.
 COPYRIGHT © 1984 DIGITAL EQUIPMENT CORPORATION

SEE SHEET '0' FOR REVISIONS



A

B

C

D

A

REV A

C

D

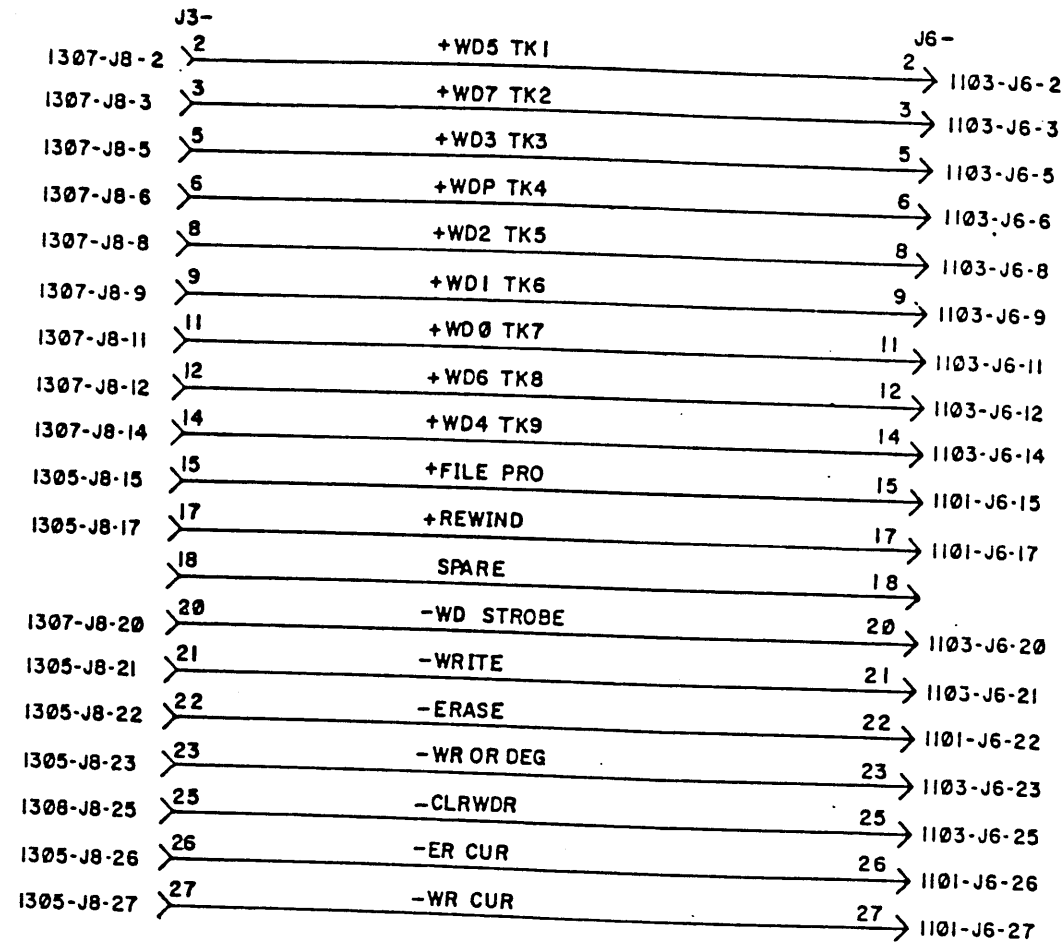
TITLE
 READ AMPLIFIER
 LOC.A1A2

DOCUMENT NUMBER			
SIZE	CODE	NUMBER	CD REV.
C	CS	2924704-0-0	A
CROSS REF. NO.	1221	SHEET 21 OF 22	PAGE

SIZE CODE
 CCS 2924704-0-0
 REV A

"THIS DRAWING AND SPECIFICATIONS HEREIN ARE THE PROPERTY OF DIGITAL EQUIPMENT CORPORATION AND SHALL NOT BE REPRODUCED OR COPIED OR USED IN WHOLE OR IN PART AS THE BASIS FOR THE MANUFACTURE OR SALE OF ITEMS WITHOUT WRITTEN PERMISSION
 COPYRIGHT © 1984 DIGITAL EQUIPMENT CORPORATION"

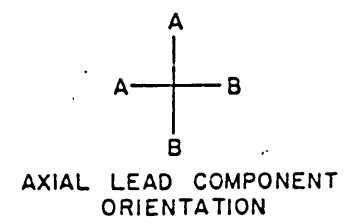
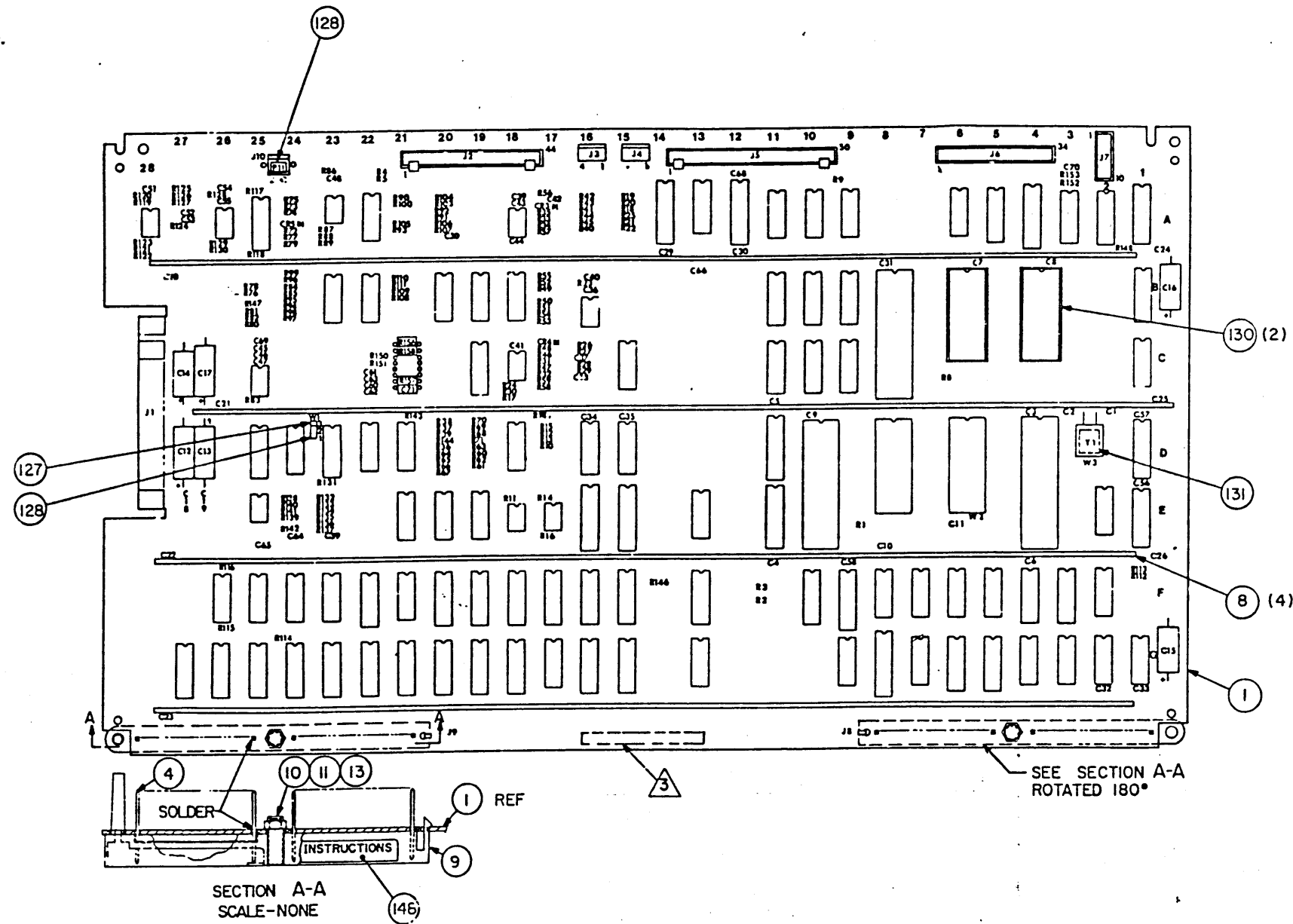
SEE SHEET '0' FOR REVISIONS



TITLE		DOCUMENT NUMBER			
READ AMPLIFIER		SIZE	CODE	NUMBER	CD
LOC. A1A2		CCS		2924704-0-0	
CROSS REF NO	1222	SHEET 22 OF 22		PAGE	REV. 2

UA 2924705-0-0

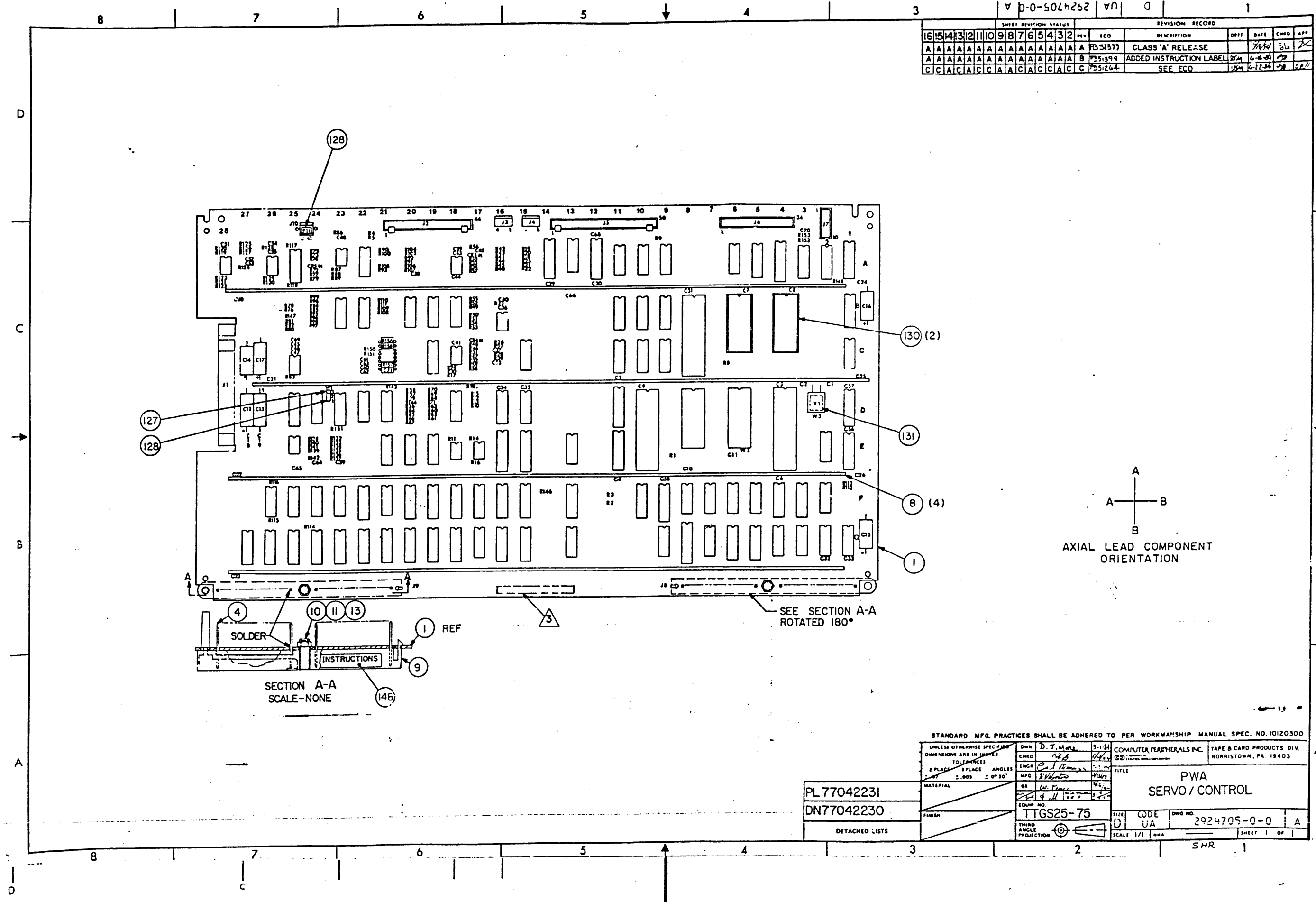
SHEET REVISION STATUS										REVISION RECORD					
16	15	14	13	12	11	10	9	8	7	ECO	DESCRIPTION	DEPT	DATE	CHKD	APP
A	A	A	A	A	A	A	A	A	A	FD5137	CLASS 'A' RELEASE		7/24/44	SL	
A	A	A	A	A	A	A	A	A	A	P351399	ADDED INSTRUCTION LABEL	STW	6-6-44	SL	
C	C	A	C	A	C	A	C	A	C	P551264	SEE ECO		6-22-44	SL	



SEE SECTION A-A ROTATED 180°

STANDARD MFG. PRACTICES SHALL BE ADHERED TO PER WORKMANSHIP MANUAL SPEC. NO. 10120300									
UNLESS OTHERWISE SPECIFIED DIMENSIONS ARE IN INCHES		DWN D. J. MORGAN		3-1-44		COMPUTER PERIPHERALS INC.		TAPE & CARD PRODUCTS DIV.	
TOLERANCES		CHKD R. B.		4/6/44		80		NORRISTOWN, PA. 19403	
± PLACE 3 PLACE ANGLES		ENGR C. J. BROWN		4/17/44		TITLE		PWA	
± .005 ± 0° 30'		MFG J. W. LINTON		4/17/44		SERVO / CONTROL			
MATERIAL		QA W. J. TAYLOR		4/17/44		EQUIP NO.		TTGS25-75	
FINISH		THIRD ANGLE PROJECTION		SCALE 1/1		SIZE D		CODE UA	
DETACHED LISTS		DRAWING NO.		2924705-0-0		SHEET 1 OF 1		SHR	

PL77042231
DN77042230

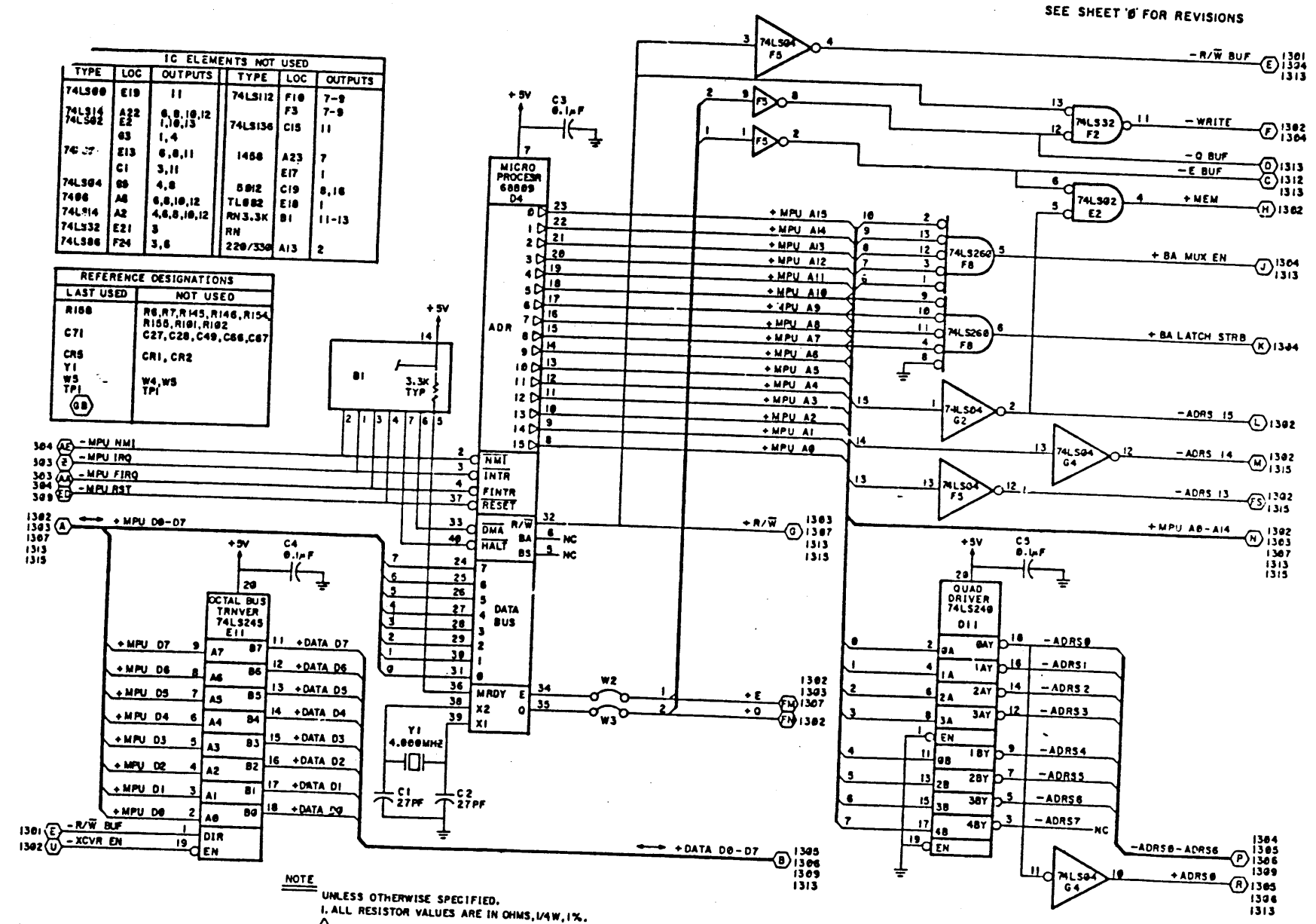


THESE DRAWINGS AND SPECIFICATIONS, HEREIN, ARE THE PROPERTY OF DIGITAL EQUIPMENT CORPORATION AND SHALL NOT BE REPRODUCED OR COPIED IN WHOLE OR IN PART AS THE BASIS FOR THE MANUFACTURE OR SALE OF ITEMS WITHOUT WRITTEN PERMISSION. COPYRIGHT © 1984, DIGITAL EQUIPMENT CORPORATION.

0-0-5024705-0-0 2

IC ELEMENTS NOT USED					
TYPE	LOC	OUTPUTS	TYPE	LOC	OUTPUTS
74LS00	E19	11	74LS112	F10	7-9
74LS14	A22	6, 8, 10, 12	74LS156	C15	11
74LS02	E2	1, 10, 13			
	03	1, 4			
74LS07	E13	6, 8, 11	1458	A23	7
	C1	3, 11		E17	1
74LS04	08	4, 8	8012	C19	6, 16
7400	A6	6, 8, 10, 12	TL002	E10	1
74LS14	A2	4, 6, 8, 10, 12	RN3.3K	B1	11-13
74LS32	E21	3			
74LS06	F24	3, 6	220/330	A13	2

REFERENCE DESIGNATIONS	
LAST USED	NOT USED
R100	R6, R7, R145, R146, R154, R155, R101, R102
C71	C27, C28, C49, C66, C67
CR5	CR1, CR2
Y1	
W5	W4, W5
TP1	TP1

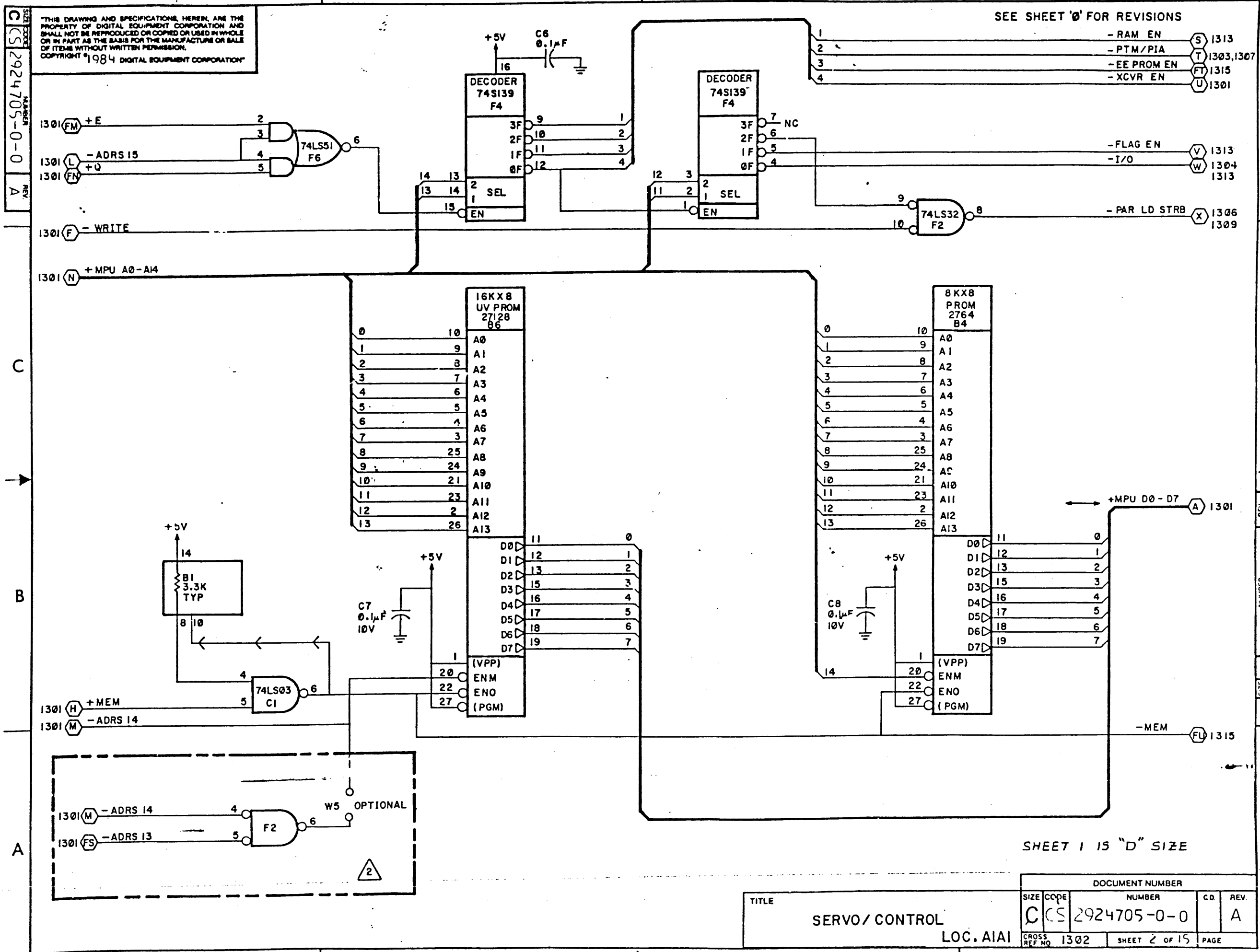


NOTE
UNLESS OTHERWISE SPECIFIED,
ALL RESISTOR VALUES ARE IN OHMS, 1/4W, 1%.
RESERVED FOR FUTURE USE.

SHEETS 2 THRU 15 ARE "C" SIZE
77022970

DRN	CHK'D	REV	FIRST USED ON	digital
ENG.			TITLE	
PROJ. ENG.			SERVO/CONTROL	
PROD.			LOC. A1A1	
NEXT HIGHER ASSY.			SIZE CODE	NUMBER
SCALE	D	CS	2924705-0-0	REV
SHEET 1 OF 15	DIST.			A

SHR 1



SIZE CODE
CS 2924705-0-0
NUMBER
REV. A

C

B

A

D

C

A

REV. A
NUMBER
CS 2924705-0-0
SIZE

A

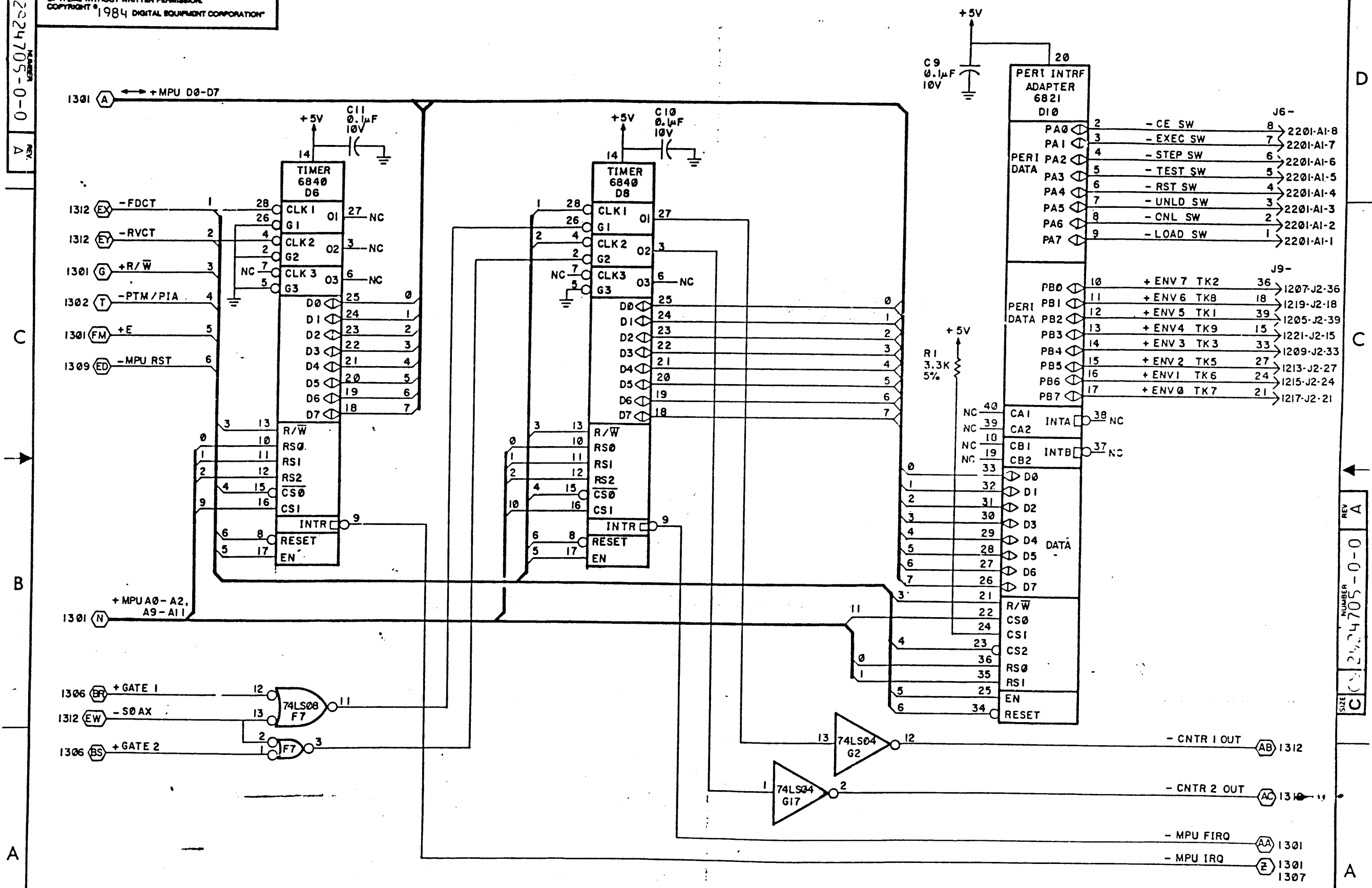
SHEET 1 IS "D" SIZE

TITLE		DOCUMENT NUMBER			
SERVO/CONTROL LOC. AIAI		SIZE	CODE	NUMBER	CD REV.
		C	CS	2924705-0-0	A
CROSS REF NO	1302	SHEET 2 OF 15		PAGE	

C 2924705-0-0
 SIZE NUMBER
 A

THIS DRAWING AND SPECIFICATIONS HEREIN ARE THE PROPERTY OF DIGITAL EQUIPMENT CORPORATION AND SHALL NOT BE REPRODUCED OR COPIED OR USED IN WHOLE OR IN PART AS THE BASIS FOR THE MANUFACTURE OR SALE OF ITEMS WITHOUT WRITTEN PERMISSION.
 COPYRIGHT © 1984 DIGITAL EQUIPMENT CORPORATION

SEE SHEET '0' FOR REVISIONS



A

B

C

D

C

A

A

TITLE		DOCUMENT NUMBER			
SERVO / CONTROL		SIZE	CODE	NUMBER	CO REV.
LOC. A1A1		C	CS	2924705-0-0	A
CROSS REF NO	1303	SHEET 3 OF 15		PAGE	

DRC 1118

4

3

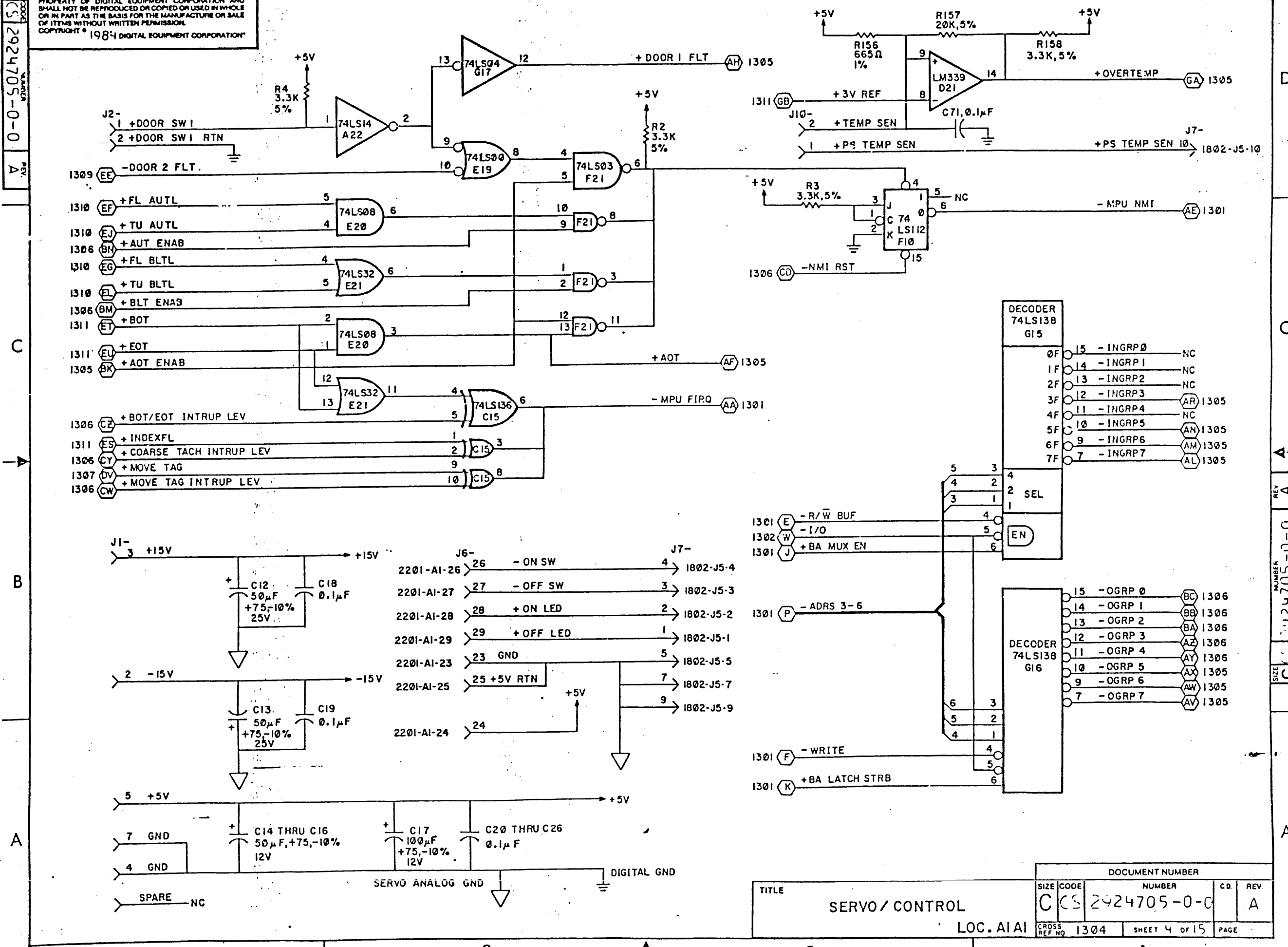
2

1

SIZE CODE
 C 5 2924705-0-0
 NUMBER
 A

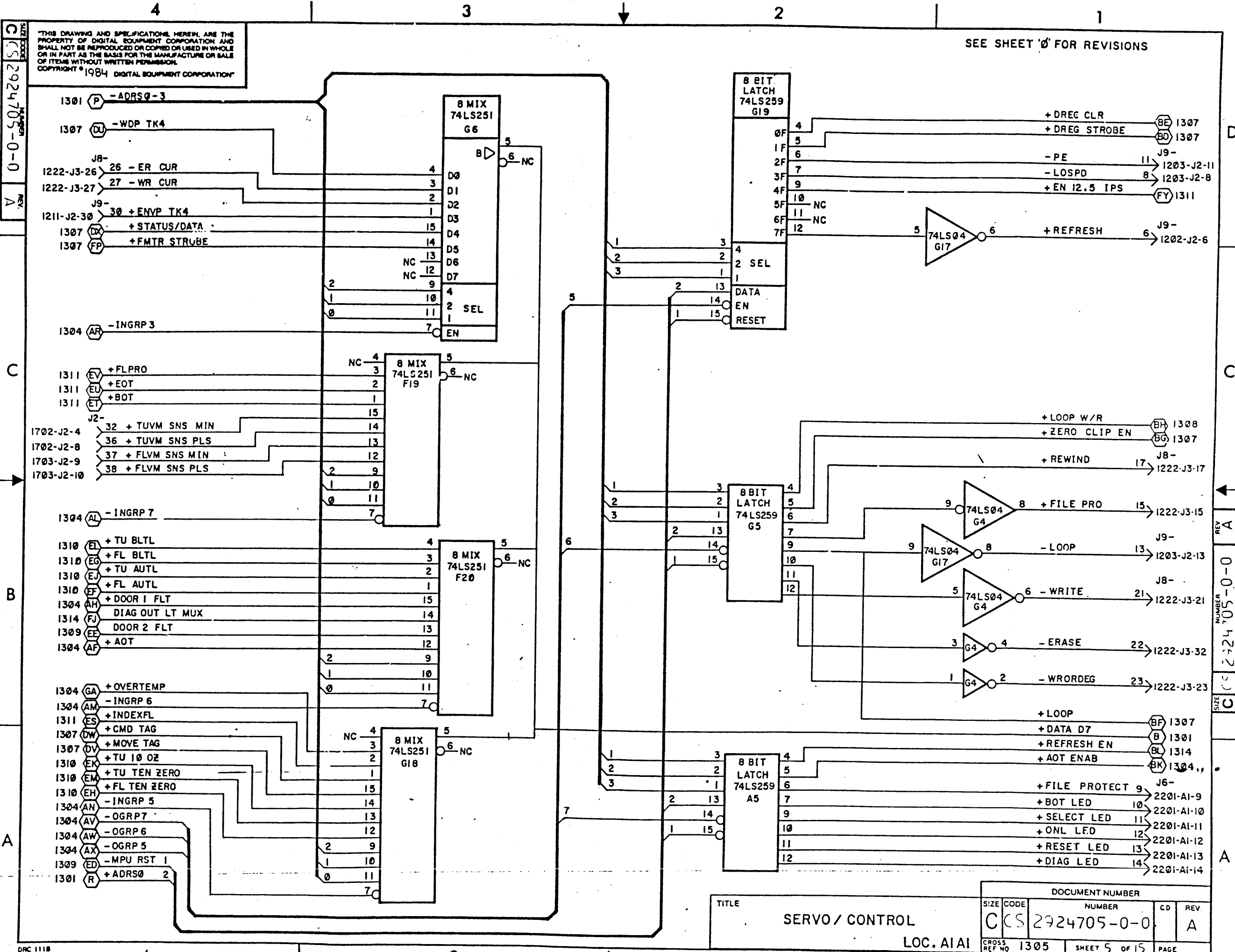
THIS DRAWING AND SPECIFICATIONS, HEREIN, ARE THE PROPERTY OF DIGITAL EQUIPMENT CORPORATION AND SHALL NOT BE REPRODUCED OR COPIED OR USED IN WHOLE OR IN PART AS THE BASIS FOR THE MANUFACTURE OR SALE OF ITEMS WITHOUT WRITTEN PERMISSION.
 COPYRIGHT © 1984 DIGITAL EQUIPMENT CORPORATION

SEE SHEET '0' FOR REVISIONS



SIZE CODE
 C 5 2924705-0-0
 NUMBER
 A

DOCUMENT NUMBER			
SIZE CODE	NUMBER	CD	REV.
C 5	2924705-0-0		A
CROSS REF. NO.	1304	SHEET 4 OF 15	PAGE



REV. A
 2924705-0-0

C

B

A

D

C

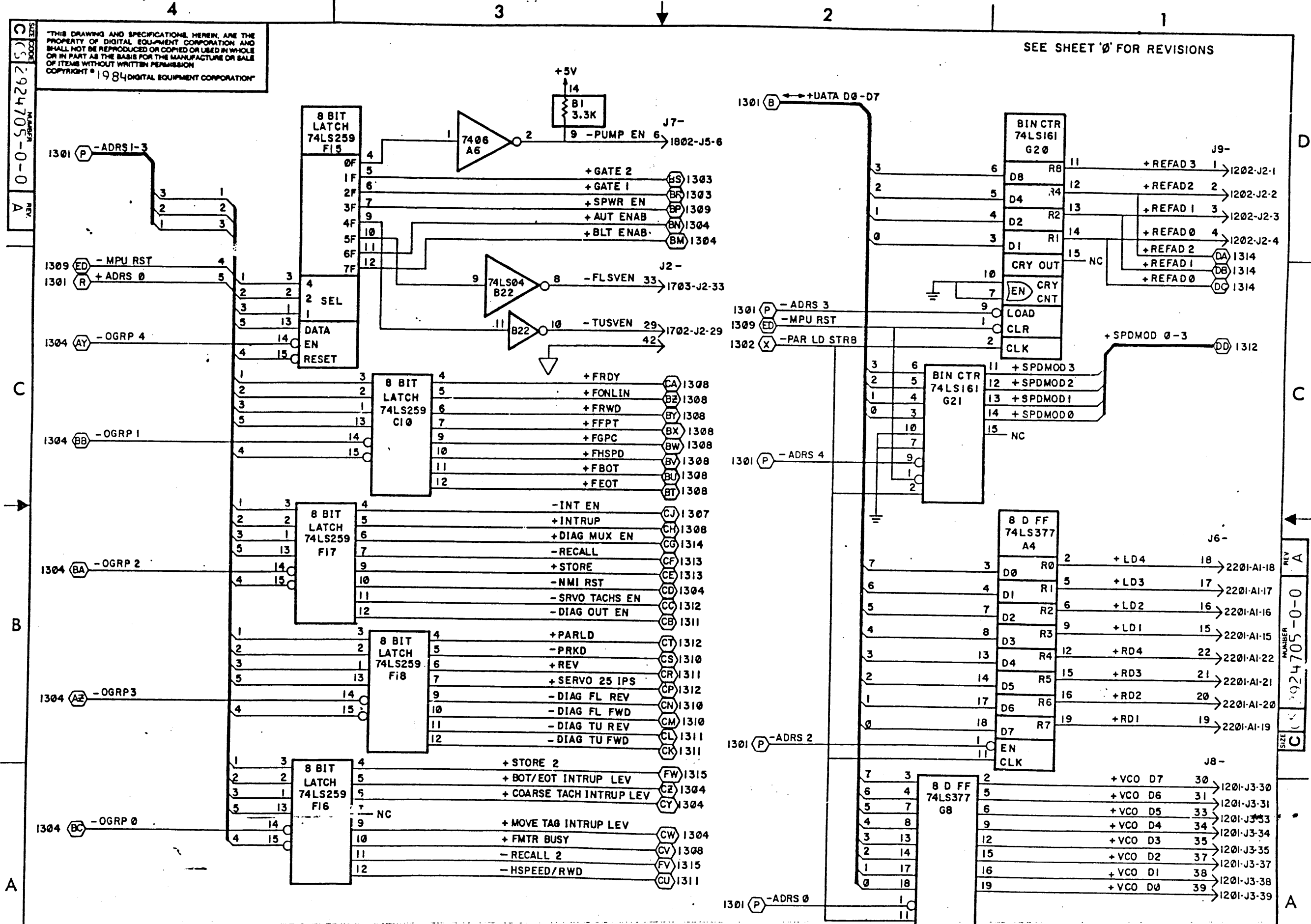
A

A

TITLE		DOCUMENT NUMBER	
SERVO / CONTROL		SIZE CODE	NUMBER
LOC. AIAI		C CS	2924705-0-0
CROSS REF NO	1305	SHEET	5 OF 15
REV.	A	PAGE	

THIS DRAWING AND SPECIFICATIONS, HEREIN, ARE THE PROPERTY OF DIGITAL EQUIPMENT CORPORATION AND SHALL NOT BE REPRODUCED OR COPIED OR USED IN WHOLE OR IN PART AS THE BASIS FOR THE MANUFACTURE OR SALE OF ITEMS WITHOUT WRITTEN PERMISSION.
 COPYRIGHT © 1984 DIGITAL EQUIPMENT CORPORATION

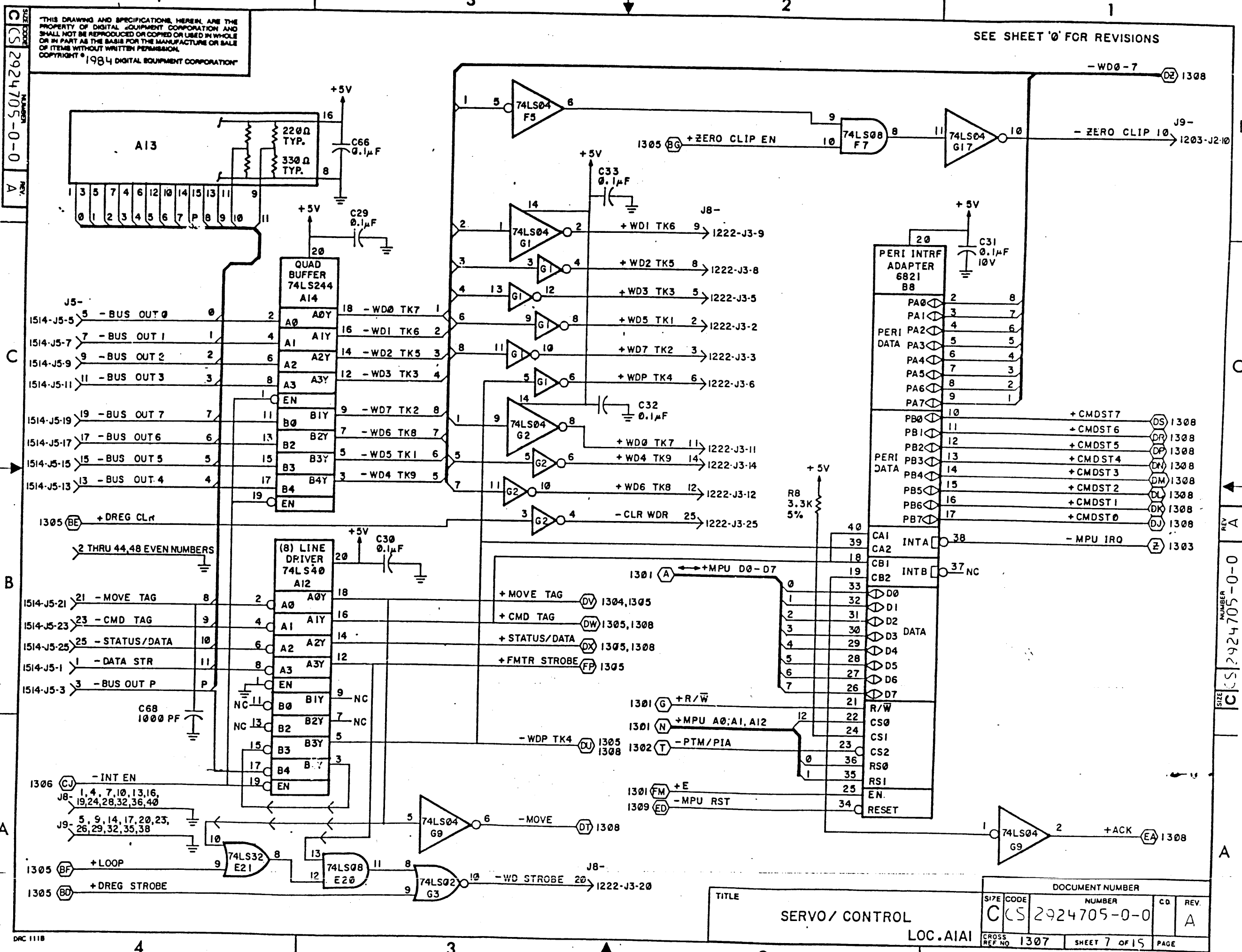
SEE SHEET '0' FOR REVISIONS



SHEET CODE: CS 2924705-0-0
 NUMBER: 0-0
 REV: A

REV: A
 NUMBER: CS 2924705-0-0
 SIZE: C

TITLE		DOCUMENT NUMBER			
SERVO/CONTROL		SIZE CODE	NUMBER	CD	REV.
LOC. AIAI		C	CS 2924705-0-0		A
CROSS REF NO	1306	SHEET 6 OF 15		PAGE	



THIS DRAWING AND SPECIFICATIONS HEREIN ARE THE PROPERTY OF DIGITAL EQUIPMENT CORPORATION AND SHALL NOT BE REPRODUCED OR COPIED OR USED IN WHOLE OR IN PART AS THE BASIS FOR THE MANUFACTURE OR SALE OF ITEMS WITHOUT WRITTEN PERMISSION. COPYRIGHT © 1984 DIGITAL EQUIPMENT CORPORATION

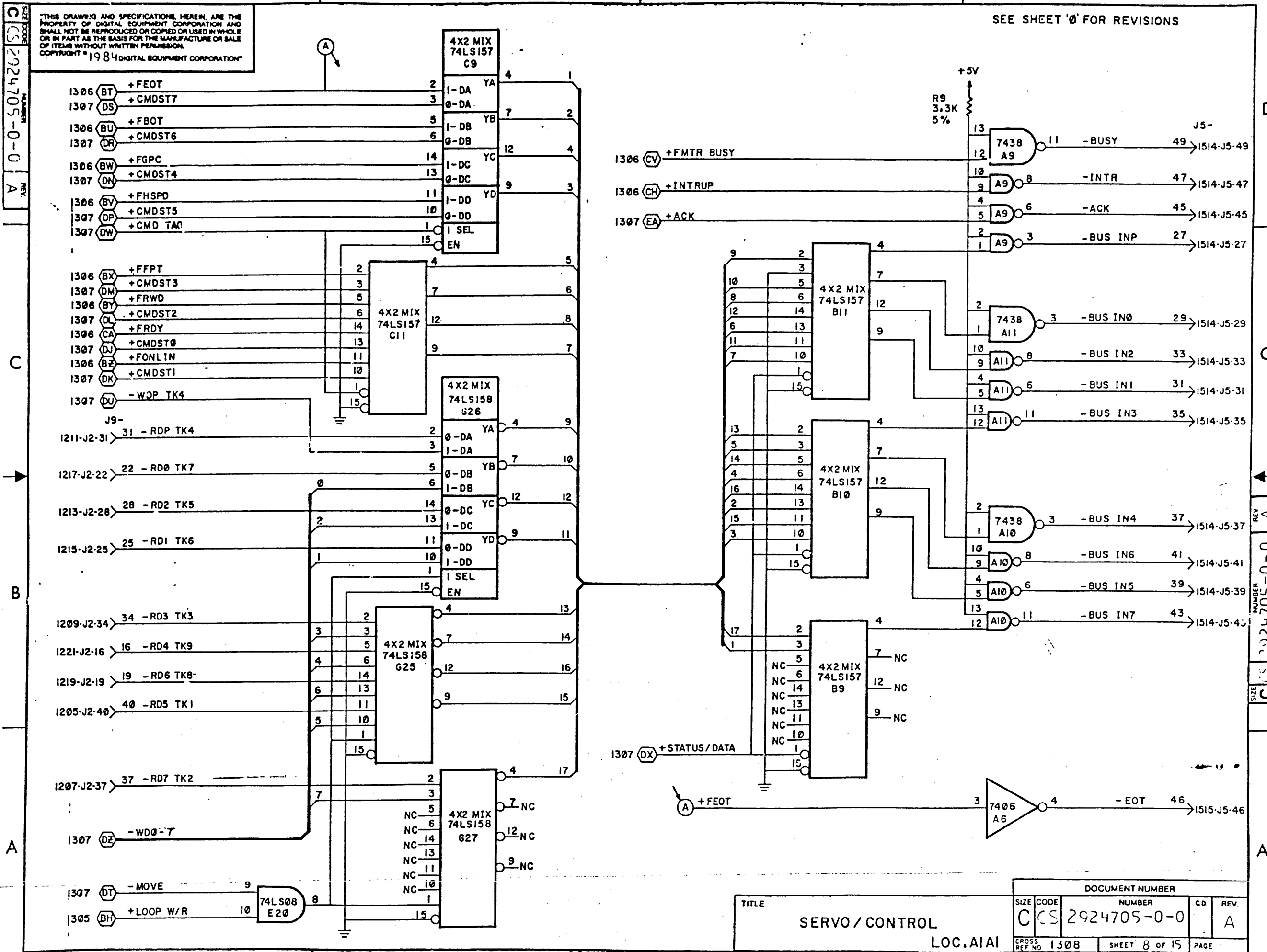
SEE SHEET '0' FOR REVISIONS

SIZE CODE
CS 2924705-0-0
REV. A

J5-
1514-J5-5 - BUS OUT 0
1514-J5-7 - BUS OUT 1
1514-J5-9 - BUS OUT 2
1514-J5-11 - BUS OUT 3
1514-J5-19 - BUS OUT 7
1514-J5-17 - BUS OUT 6
1514-J5-15 - BUS OUT 5
1514-J5-13 - BUS OUT 4
1305 (BE) +DREG CLR
2 THRU 44,48 EVEN NUMBERS
1514-J5-21 - MOVE TAG
1514-J5-23 - CMD TAG
1514-J5-25 - STATUS/DATA
1514-J5-1 - DATA STR
1514-J5-3 - BUS OUT P
1306 (CJ) - INT EN
1,4,7,10,13,16,19,24,28,32,36,40
5,9,14,17,20,23,26,29,32,35,38
1305 (BF) +LOOP
1305 (BD) +DREG STROBE

J9-
1203-J2-10
1222-J3-9
1222-J3-8
1222-J3-5
1222-J3-2
1222-J3-3
1222-J3-6
1222-J3-11
1222-J3-14
1222-J3-12
1222-J3-25
1304,1305
1305,1308
1305,1308
1305
1301 (G) +R/W
1301 (N) +MPU A0:A1:A12
1302 (T) -PTM/PIA
1301 (FM) +E
1309 (ED) -MPU RST
1308 (DT) -MOVE
1308 (EA) +ACK
1308 (DS) +CMDST7
1308 (DR) +CMDST6
1308 (DP) +CMDST5
1308 (DN) +CMDST4
1308 (DM) +CMDST3
1308 (DL) +CMDST2
1308 (DK) +CMDST1
1308 (DJ) +CMDST0
1303 (Z) -MPU IRQ

TITLE		DOCUMENT NUMBER	
SERVO/ CONTROL		CS 2924705-0-0	CD REV. A
LOC. AIAI		CROSS REF NO 1307	SHEET 7 OF 15 PAGE



THIS DRAWING AND SPECIFICATIONS HEREIN ARE THE PROPERTY OF DIGITAL EQUIPMENT CORPORATION AND SHALL NOT BE REPRODUCED OR COPIED OR USED IN WHOLE OR IN PART AS THE BASIS FOR THE MANUFACTURE OR SALE OF ITEMS WITHOUT WRITTEN PERMISSION. COPYRIGHT © 1984 DIGITAL EQUIPMENT CORPORATION

SEE SHEET '0' FOR REVISIONS

SIZE CODE 2924705-0-0
 NUMBER
 REV A

REV A
 NUMBER 2924705-0-0
 SIZE CODE CS

TITLE		DOCUMENT NUMBER			
SERVO/CONTROL		SIZE CODE	NUMBER	CD	REV.
LOC. AIAI		CS	2924705-0-0		A
CROSS REF NO 1308	SHEET 8 OF 15		PAGE		

THIS DRAWING AND SPECIFICATIONS HEREIN ARE THE PROPERTY OF DIGITAL EQUIPMENT CORPORATION AND SHALL NOT BE REPRODUCED OR COPIED OR USED IN WHOLE OR IN PART AS THE BASIS FOR THE MANUFACTURE OR SALE OF ITEMS WITHOUT WRITTEN PERMISSION. COPYRIGHT © 1984 DIGITAL EQUIPMENT CORPORATION

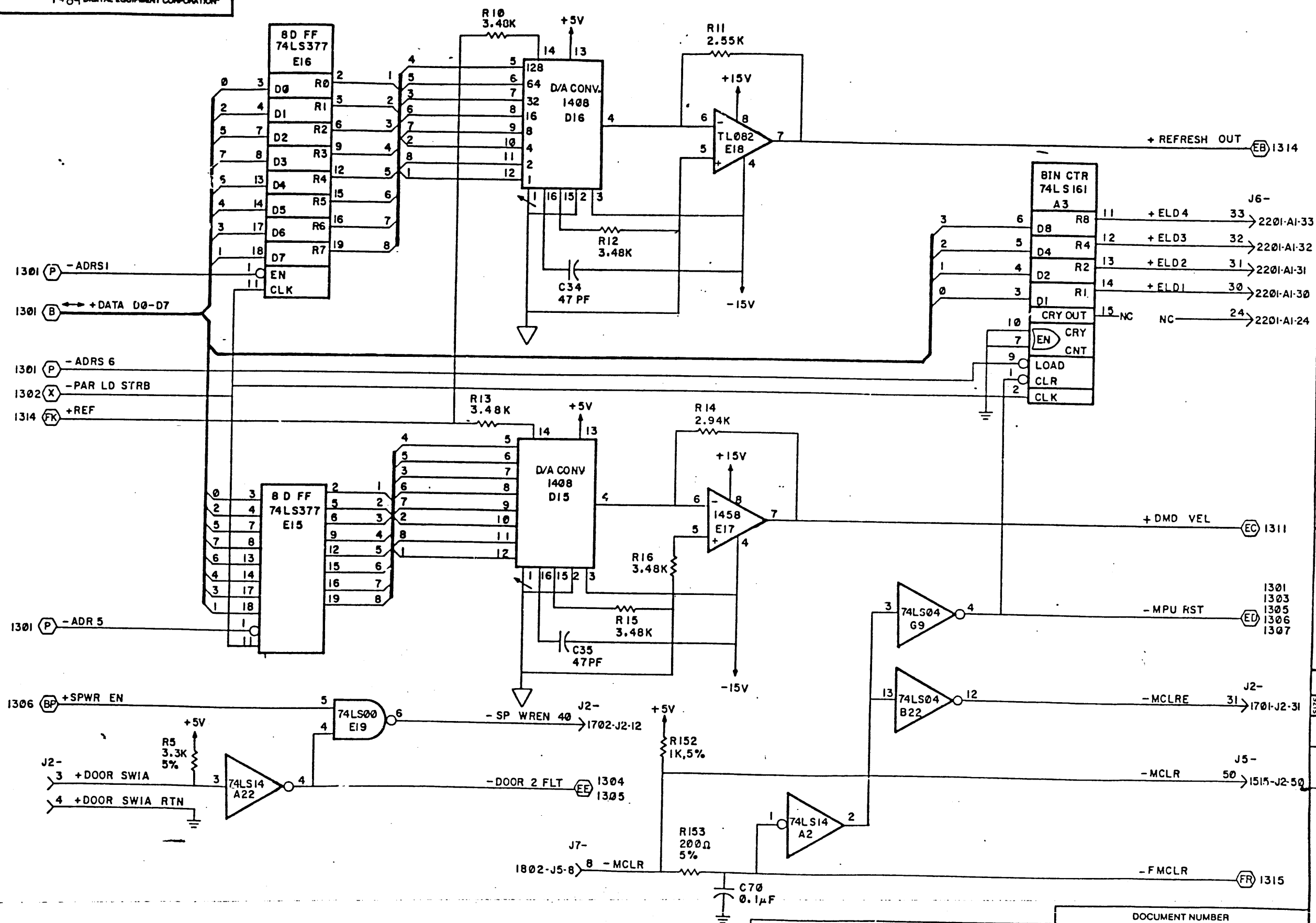
SEE SHEET '0' FOR REVISIONS

SIZE CODE
CS 2924705-0-0
REV. A

C

B

A



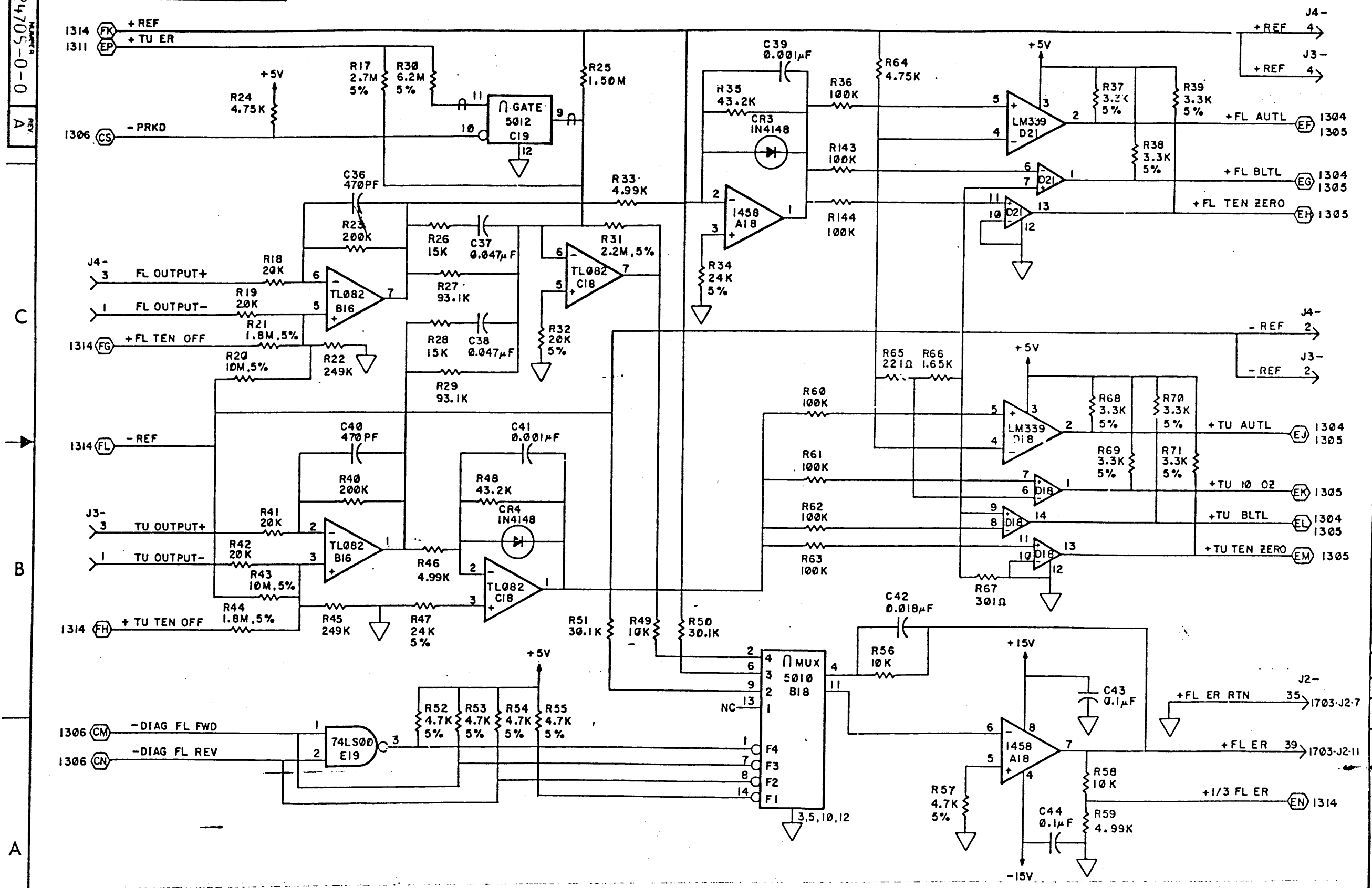
DRC 1118

TITLE		DOCUMENT NUMBER			
SERVO / CONTROL LOC. A1A1		SIZE CODE	NUMBER	CD	REV.
		CS	2924705-0-0		A
CROSS REF. NO	1309	SHEET 9 OF 15		PAGE	

REV. A
NUMBER CS 2924705-0-0

THIS DRAWING AND SPECIFICATIONS, HEREIN, ARE THE PROPERTY OF DIGITAL EQUIPMENT CORPORATION AND SHALL NOT BE REPRODUCED OR COPIED OR USED IN WHOLE OR IN PART AS THE BASIS FOR THE MANUFACTURE OR SALE OF ITEMS WITHOUT WRITTEN PERMISSION. COPYRIGHT © 1984 DIGITAL EQUIPMENT CORPORATION

SEE SHEET '0' FOR REVISIONS



SIZE CODE
C CS 2924705-0-0
REV A

C
B
A

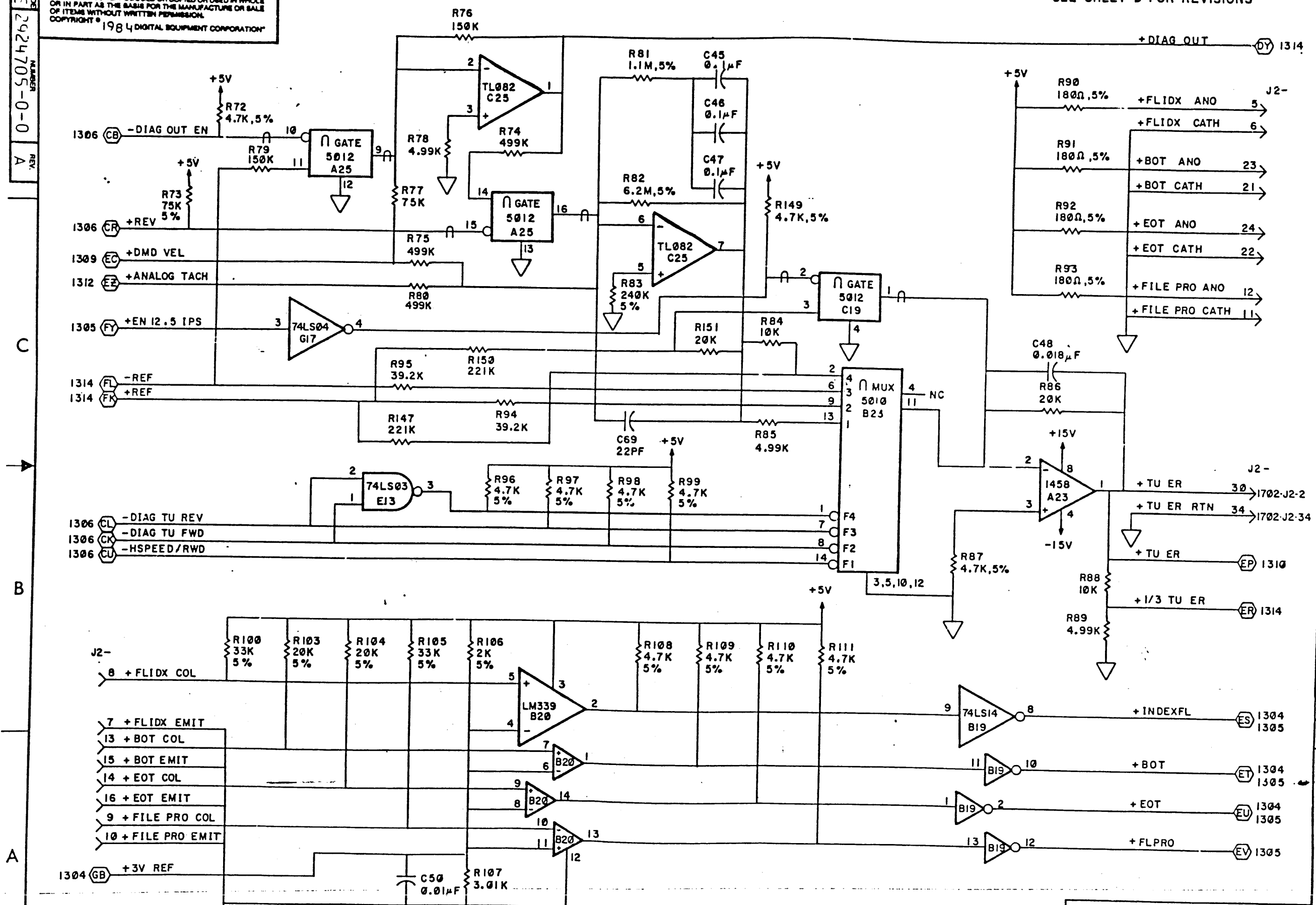
D
C
A
REV A
NUMBER 2924705-0-0
SIZE CODE C CS 2924705-0-0

TITLE		DOCUMENT NUMBER			
SERVO / CONTROL LOC. A1A1		SIZE	CODE	NUMBER	CD
		C	CS	2924705-0-0	A
CROSS REF NO	1310	SHEET	10	OF 15	PAGE

THIS DRAWING AND SPECIFICATIONS HEREIN ARE THE PROPERTY OF DIGITAL EQUIPMENT CORPORATION AND SHALL NOT BE REPRODUCED OR COPIED OR USED IN WHOLE OR IN PART AS THE BASIS FOR THE MANUFACTURE OR SALE OF ITEMS WITHOUT WRITTEN PERMISSION. COPYRIGHT © 1984 DIGITAL EQUIPMENT CORPORATION

SIZE CODE
CS 2924705-0-0
NUMBER
REV. A

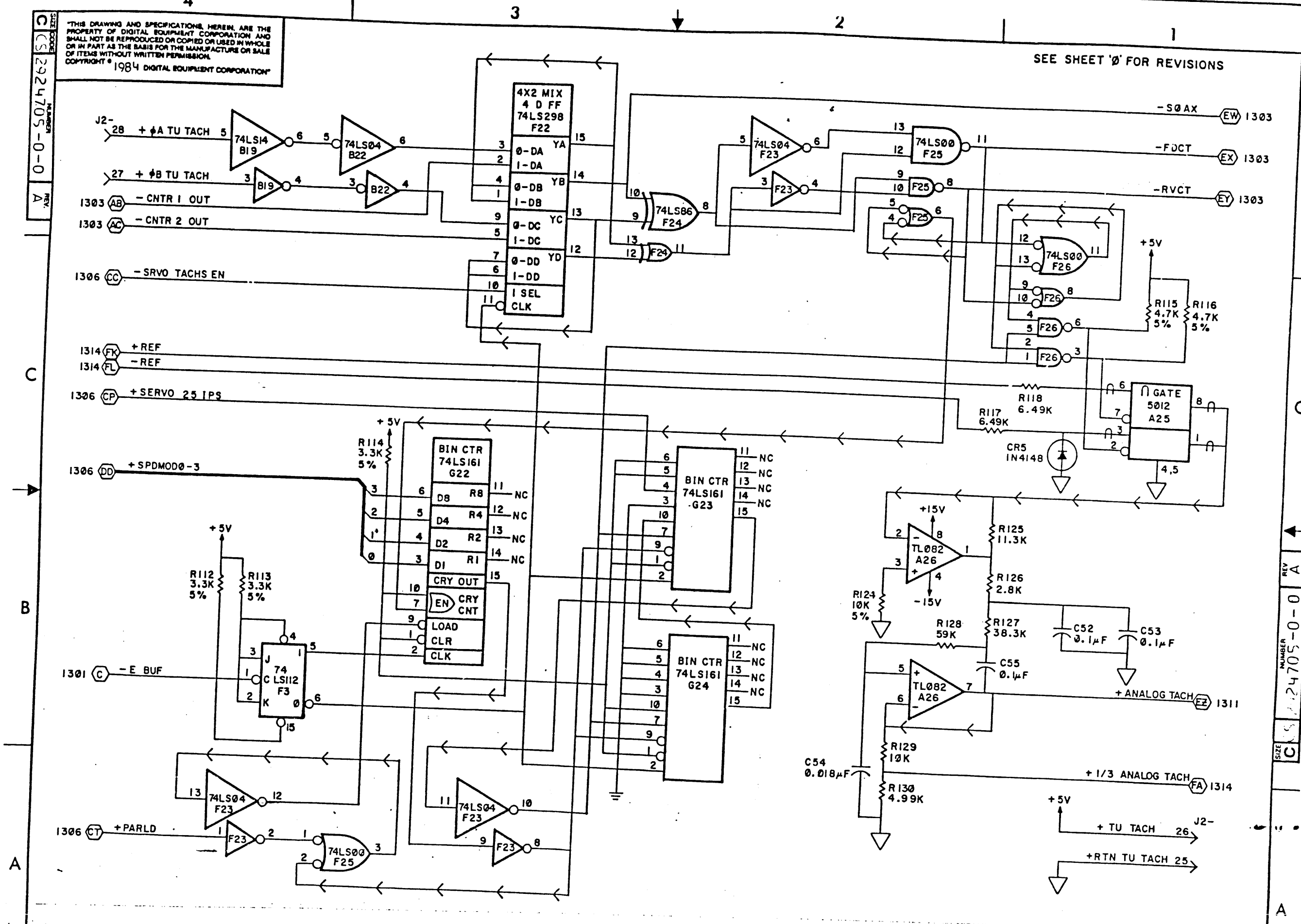
SEE SHEET '0' FOR REVISIONS



TITLE		DOCUMENT NUMBER	
SERVO/CONTROL		CS 2924705-0-0	
LOC. AIA	CROSS REF. NO. 1311	SHEET 11 OF 15	PAGE
SIZE CODE	NUMBER	CD	REV.
CS	2924705-0-0		A

THIS DRAWING AND SPECIFICATIONS HEREIN ARE THE PROPERTY OF DIGITAL EQUIPMENT CORPORATION AND SHALL NOT BE REPRODUCED OR COPIED OR USED IN WHOLE OR IN PART AS THE BASIS FOR THE MANUFACTURE OR SALE OF ITEMS WITHOUT WRITTEN PERMISSION.
 COPYRIGHT © 1984 DIGITAL EQUIPMENT CORPORATION

SEE SHEET '0' FOR REVISIONS



REV. 0-0
 NUMBER 2924705-0-0
 SIZE C

C

B

A

D

C

A

A

TITLE		DOCUMENT NUMBER			
SERVO / CONTROL LOC. A1A1		SIZE	CODE	NUMBER	CD. REV.
		C	CS	2924705-0-0	A
CROSS REF. NO.	1312	SHEET 12 OF 15		PAGE	

THIS DRAWING AND SPECIFICATIONS HEREIN ARE THE PROPERTY OF DIGITAL EQUIPMENT CORPORATION AND SHALL NOT BE REPRODUCED OR COPIED OR USED IN WHOLE OR IN PART AS THE BASIS FOR THE MANUFACTURE OR SALE OF ITEMS WITHOUT WRITTEN PERMISSION. COPYRIGHT © 1984 DIGITAL EQUIPMENT CORPORATION

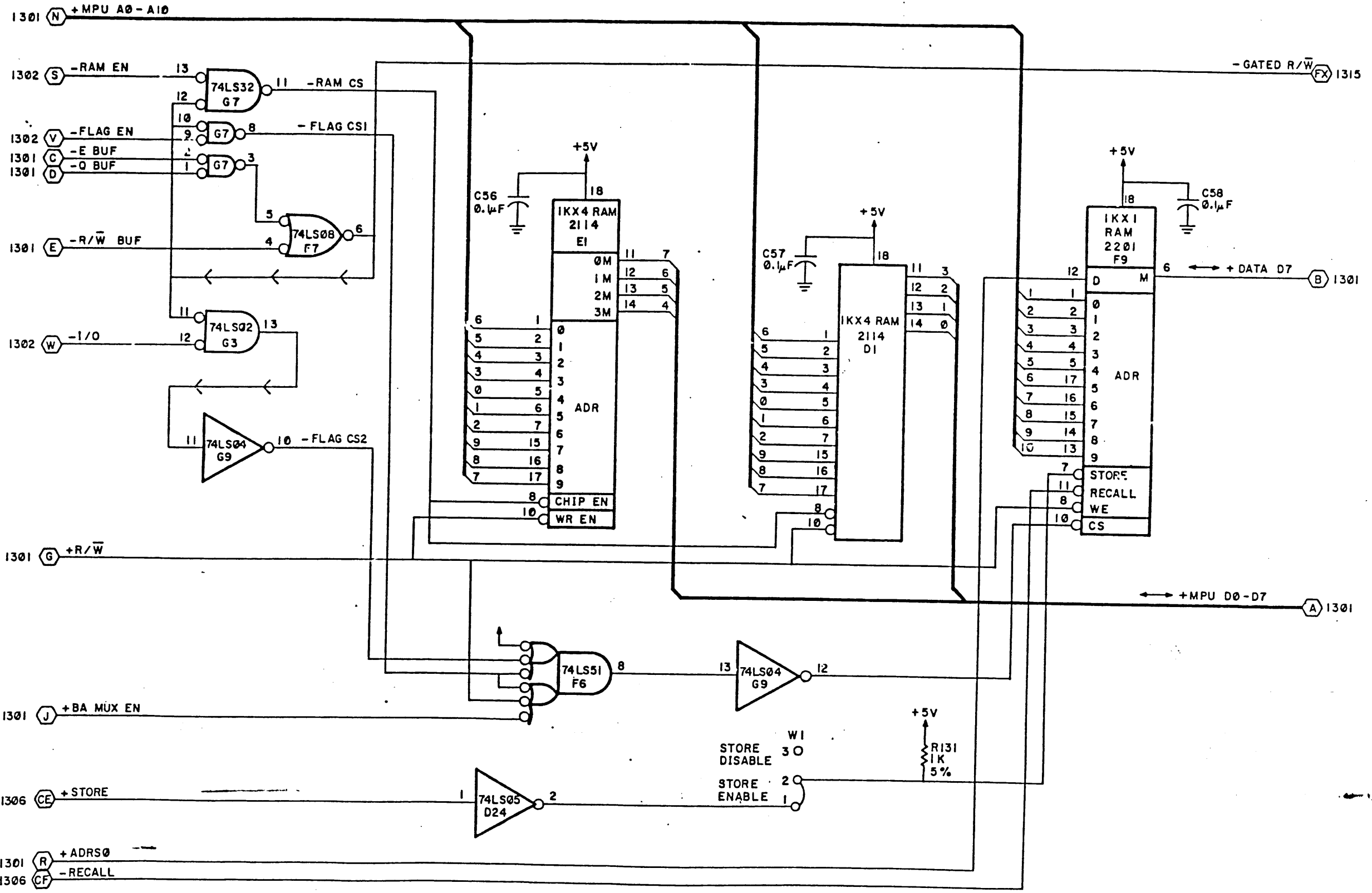
SEE SHEET 'Ø' FOR REVISIONS

SIZE 2-24705-0-0
REV. A

C

B

A



D

C

A

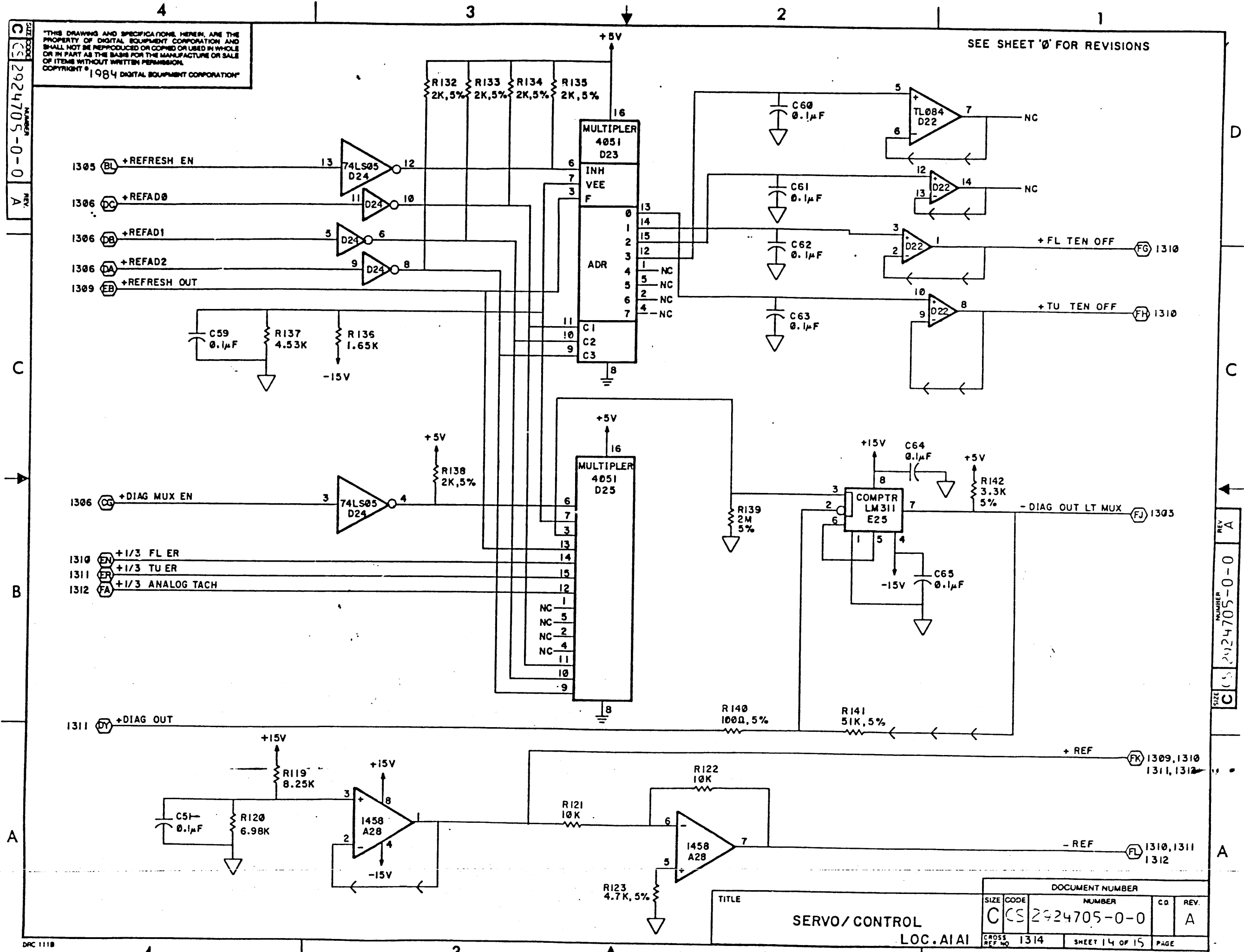
REV. A
NUMBER 242705-0-0
SIZE C

A

SIZE C
 CS 2924705-0-0
 NUMBER
 REV. A

THIS DRAWING AND SPECIFICATIONS HEREIN ARE THE PROPERTY OF DIGITAL EQUIPMENT CORPORATION AND SHALL NOT BE REPRODUCED OR COPIED OR USED IN WHOLE OR IN PART AS THE BASIS FOR THE MANUFACTURE OR SALE OF ITEMS WITHOUT WRITTEN PERMISSION. COPYRIGHT © 1984 DIGITAL EQUIPMENT CORPORATION

SEE SHEET '0' FOR REVISIONS



A

B

C

A

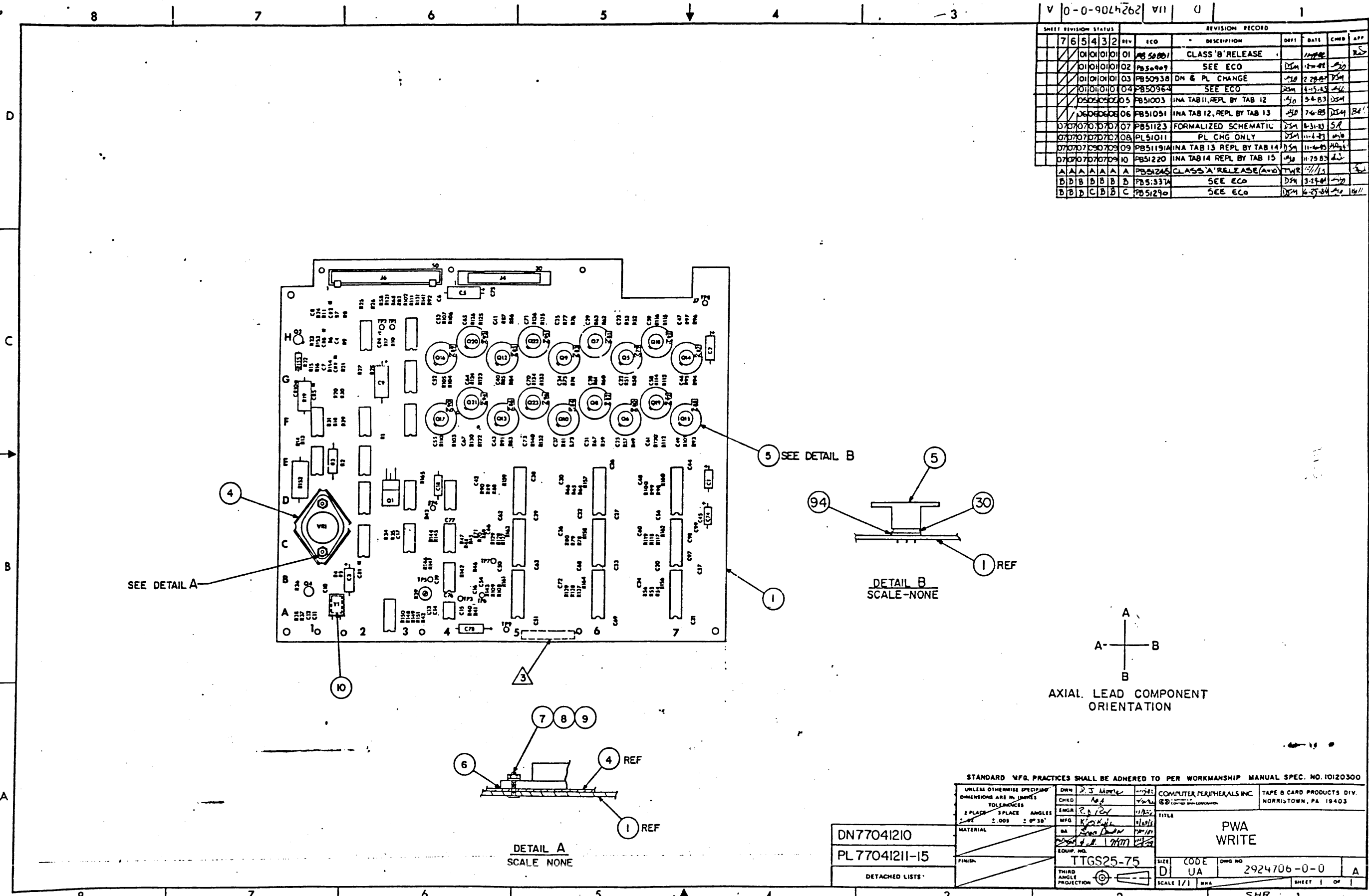
REV. A

C

D

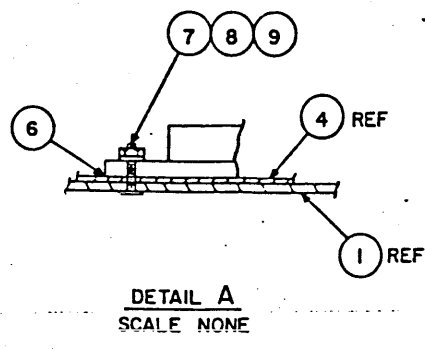
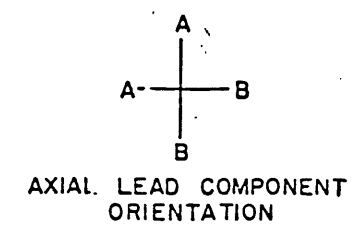
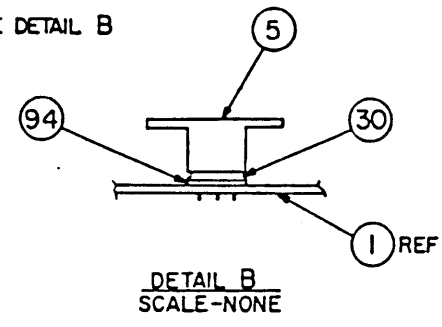
TITLE		DOCUMENT NUMBER			
SERVO/CONTROL		SIZE	CODE	NUMBER	CO. REV.
LOC. A1A1		C	CS	2924705-0-0	A
CROSS REF. NO.	1314	SHEET 14 OF 15		PAGE	

SHEET REVISION STATUS		REVISION RECORD						
REV	ECO	DESCRIPTION	DRN	DATE	CHKD	APP		
7	6	CLASS 'B' RELEASE		1/17/82		RS		
6	5	SEE ECO	DSM	12-20-81				
5	4	DN & PL CHANGE	DSM	2-22-82				
4	3	SEE ECO	DSM	4-15-83				
3	2	INA TAB 11, REPL BY TAB 12	DSM	5-6-83				
2	1	INA TAB 12, REPL BY TAB 13	DSM	7-6-83		BS		
1	0	FORMALIZED SCHEMATIC	DSM	8-31-83		SR		
		PL CHG ONLY	DSM	11-4-83				
		INA TAB 13 REPL BY TAB 14	DSM	11-6-83				
		INA TAB 14 REPL BY TAB 15	DSM	11-29-83				
A	A	CLASS 'A' RELEASE (ADD)	TWR	1/1/84				
B	B	SEE ECO	DSM	3-24-84				
C	C	SEE ECO	DSM	6-25-84				



SEE DETAIL A

5 SEE DETAIL B



STANDARD MFG. PRACTICES SHALL BE ADHERED TO PER WORKMANSHIP MANUAL SPEC. NO. 10120300

UNLESS OTHERWISE SPECIFIED DIMENSIONS ARE IN INCHES TOLERANCES	DWN D. J. Moore	CHKD A. J.	ENGR R. R. P. C.	MFG R. J. P.	SA R. J. P.	EQUIP. NO. 1700	COMPUTER PERIPHERALS INC. TAPE & CARD PRODUCTS DIV. NORRISTOWN, PA. 19403	
2 PLACE ± .005	3 PLACE ± .001	ANGLES ± 0° 30'	TITLE PWA WRITE				SIZE D	CODE UA
FINISH		TTGS25-75		DWG NO. 2924706-0-0		SHEET 1 OF 1		
DETACHED LISTS		SCALE 1/1		SHR				

8 7 6 5 4 3 2 1

D C B A

8 7 6 5 4 3 2 1

D C B A

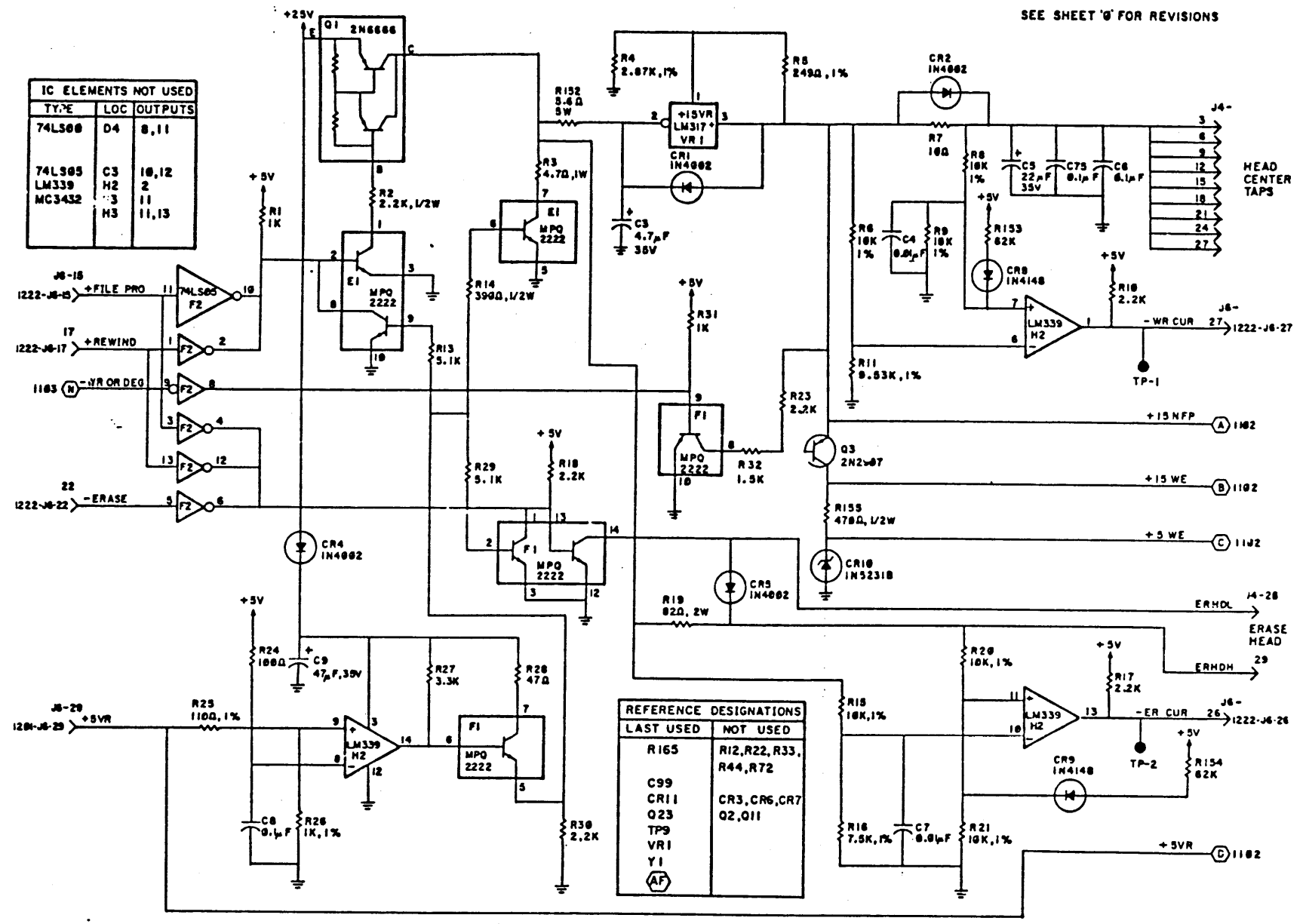
THIS DRAWING AND SPECIFICATIONS HEREIN ARE THE PROPERTY OF DIGITAL EQUIPMENT CORPORATION AND SHALL NOT BE REPRODUCED OR COPIED OR LOANED IN WHOLE OR IN PART AS THE BASIS FOR THE MANUFACTURE OR SALE OF ITEMS WITHOUT WRITTEN PERMISSION.
COPYRIGHT © 1974 DIGITAL EQUIPMENT CORPORATION

SEE SHEET '0' FOR REVISIONS

IC ELEMENTS NOT USED		
TYPE	LOC	OUTPUTS
74LS00	D4	8, 11
74LS05	C3	10, 12
LM339	H2	2
MC3432	H3	11, 13

REFERENCE DESIGNATIONS	
LAST USED	NOT USED
R165	R12, R22, R33, R44, R72
C99	CR3, CR6, CR7
CR11	Q2, Q11
Q23	
TP9	
VR1	
Y1	

NOTE: UNLESS OTHERWISE SPECIFIED ALL RESISTORS ARE 1/4W, 5%



SHEETS 2 THRU 6 ARE "C" SIZE

77022970

DESIGNED BY	DATE	FIRST USED ON	digital
CHK'D		TITLE	
ENG.		WRITE	
PROJ. ENG.			
PROD.			
NEXT HIGHER ASSY.			LOC. A1A3
SCALE	SIZE	CODE	NUMBER
	D	CS	2924706-0-0
SHEET 1 OF 6	DIST.		REV. A

REV	
CHG	

REV. A
2924706-0-0

SHR 1

THIS DRAWING AND SPECIFICATIONS HEREIN ARE THE PROPERTY OF DIGITAL EQUIPMENT CORPORATION AND SHALL NOT BE REPRODUCED OR COPIED OR USED IN WHOLE OR IN PART AS THE BASIS FOR THE MANUFACTURE OR SALE OF ITEMS WITHOUT WRITTEN PERMISSION. COPYRIGHT © 1984 DIGITAL EQUIPMENT CORPORATION

SEE SHEET 0 FOR REVISIONS

SIZE CODE
CS
NUMBER
2924706-0-0
REV
A

C

B

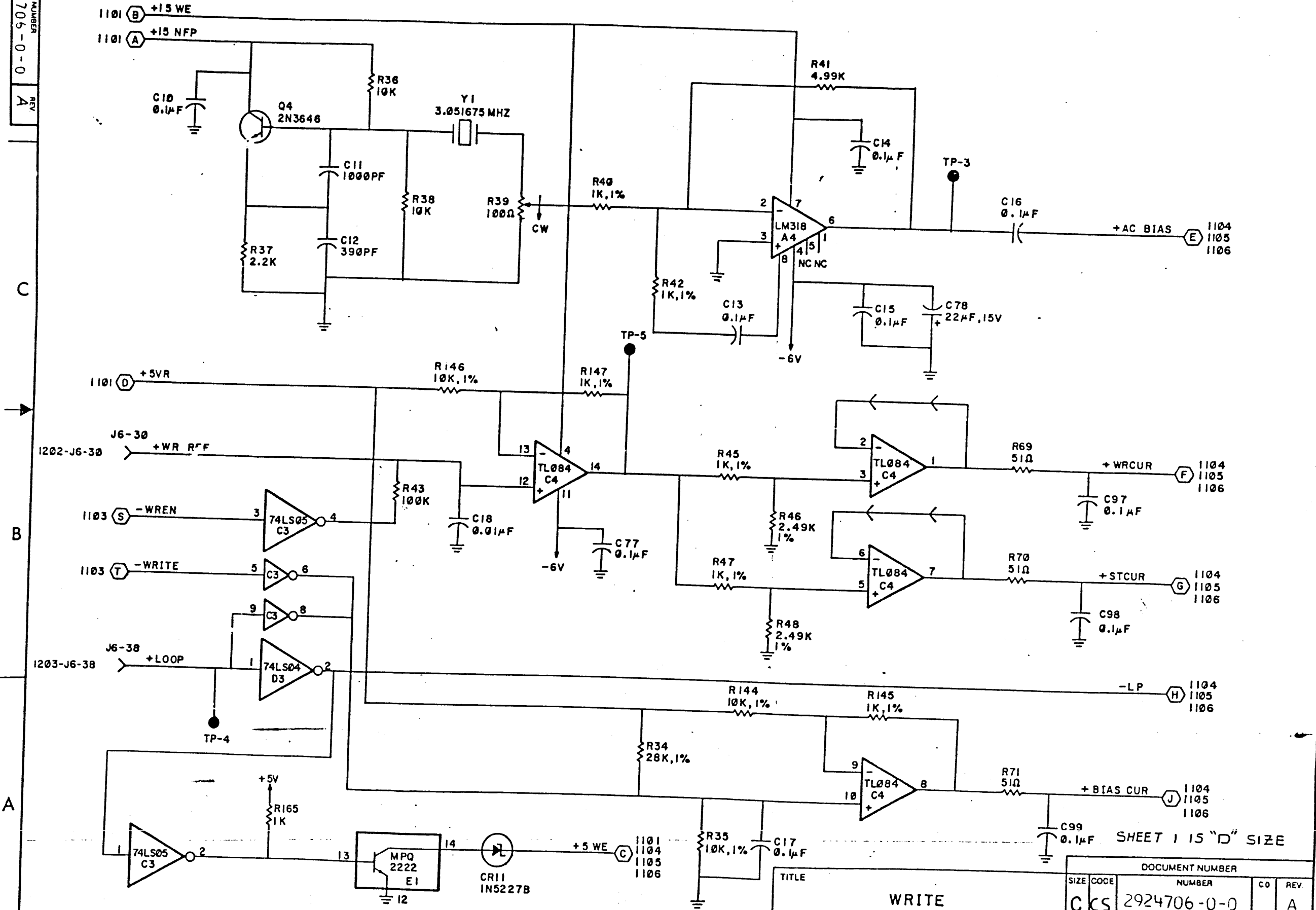
A

D

C

A

A



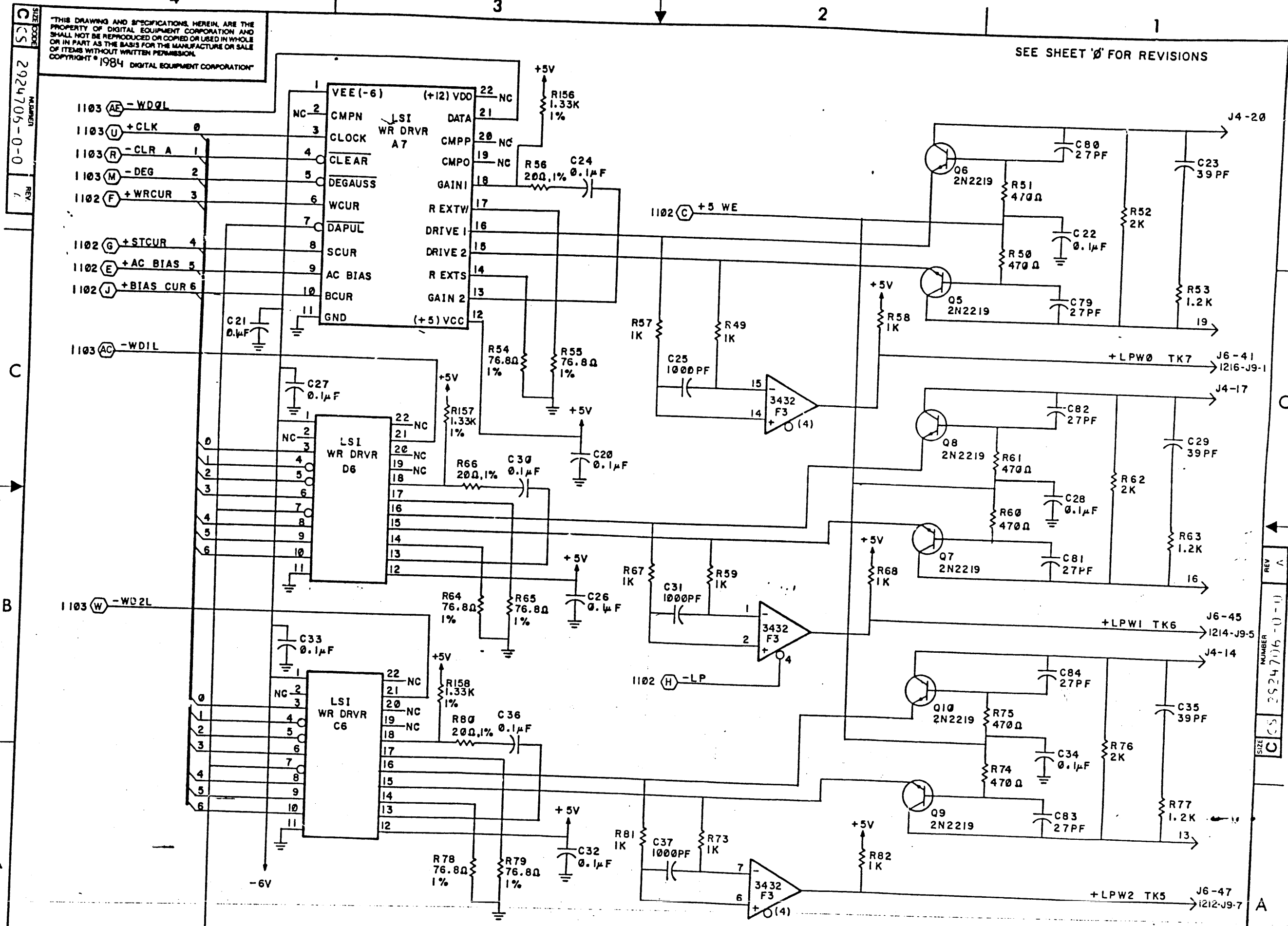
REV
NUMBER
2924706-0-0
SIZE
C

SHEET 1 IS "D" SIZE

TITLE		DOCUMENT NUMBER	
WRITE		SIZE CODE	NUMBER
LOC. A1A3		CS	2924706-0-0
CROSS REF. NO. 1102	SHEET 2 OF 6	CO	REV
			A

THIS DRAWING AND SPECIFICATIONS HEREIN ARE THE PROPERTY OF DIGITAL EQUIPMENT CORPORATION AND SHALL NOT BE REPRODUCED OR COPIED OR USED IN WHOLE OR IN PART AS THE BASIS FOR THE MANUFACTURE OR SALE OF ITEMS WITHOUT WRITTEN PERMISSION. COPYRIGHT © 1984 DIGITAL EQUIPMENT CORPORATION

SEE SHEET 'D' FOR REVISIONS



SIZE CODE
C CS
2924706-0-0
REV 7

C

B

A

D

C

A

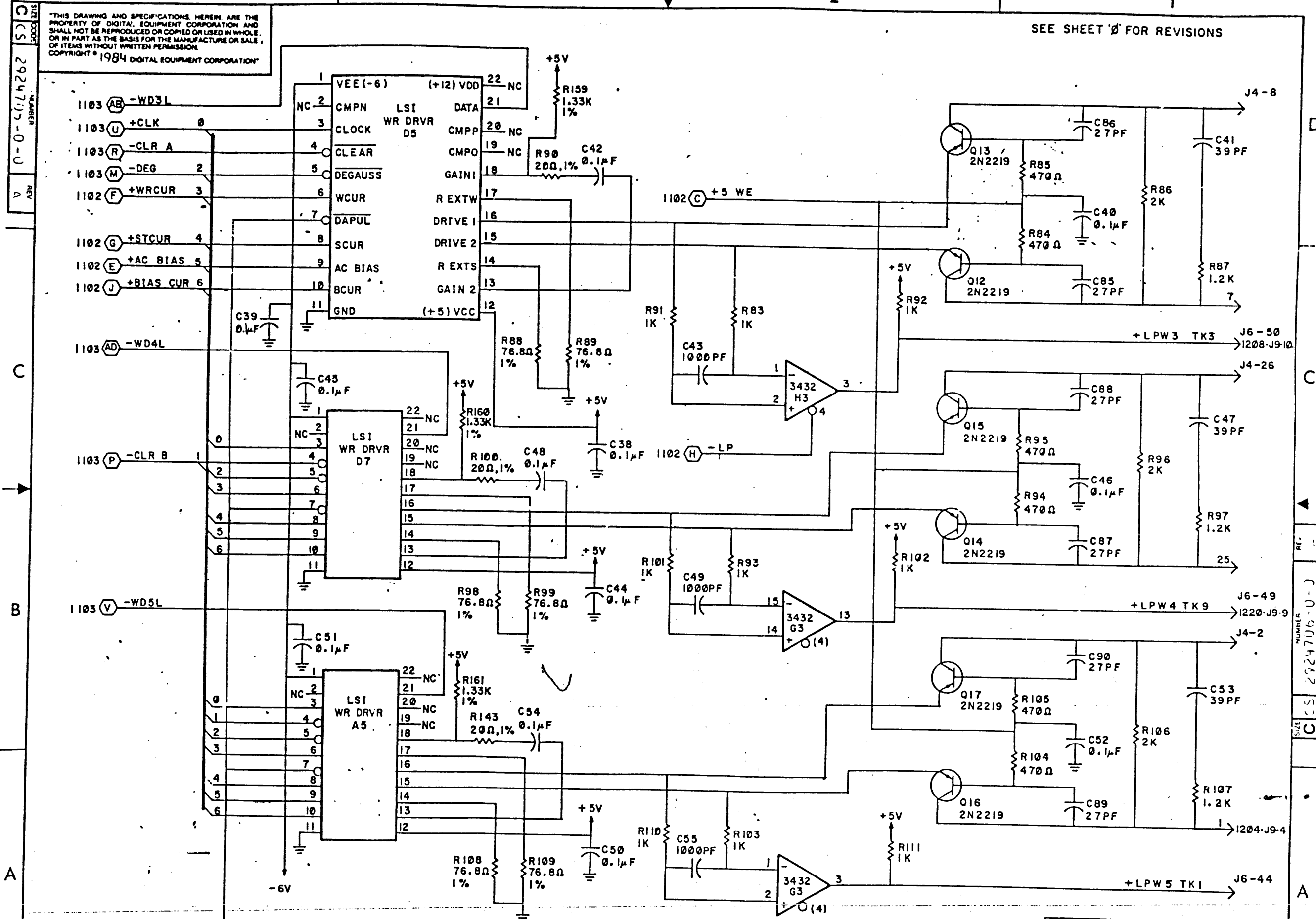
NUMBER
REV A
C CS 2924706-0-0

A

TITLE		DOCUMENT NUMBER	
WRITE		NUMBER	CD REV.
LOC. A1A3		C CS 2924706-0-0	A

THIS DRAWING AND SPECIFICATIONS HEREIN ARE THE PROPERTY OF DIGITAL EQUIPMENT CORPORATION AND SHALL NOT BE REPRODUCED OR COPIED OR USED IN WHOLE OR IN PART AS THE BASIS FOR THE MANUFACTURE OR SALE OF ITEMS WITHOUT WRITTEN PERMISSION. COPYRIGHT © 1984 DIGITAL EQUIPMENT CORPORATION

SEE SHEET 0 FOR REVISIONS



SIZE CODE
C CS
NUMBER
2924706-0-0
REV
A

C

B

A

A

D

C

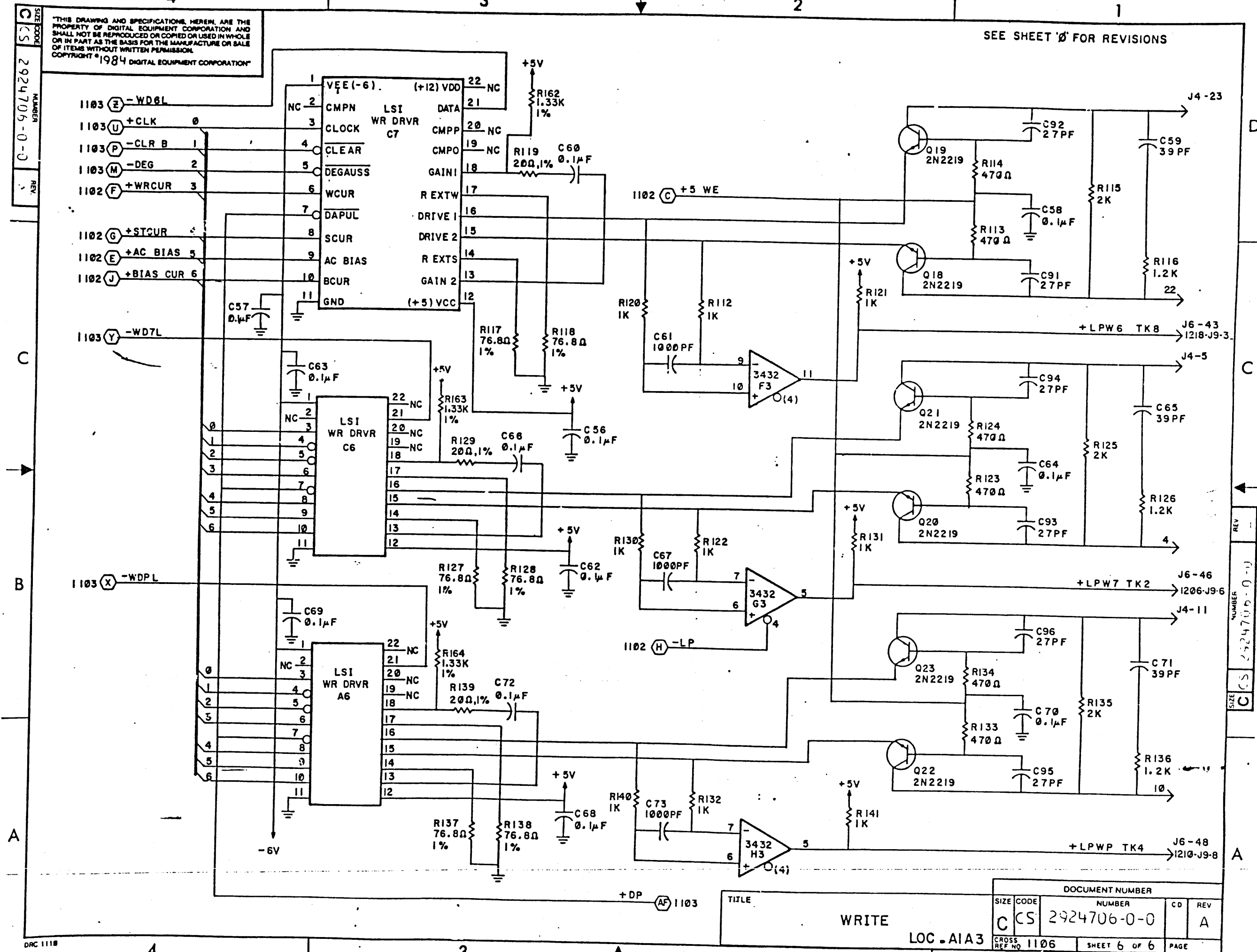
B

A

TITLE		DOCUMENT NUMBER			
WRITE		SIZE	CODE	NUMBER	CD
LOC.A1A3		C	CS	2924706-0-0	A
CROSS REF NO	1105	SHEET 5 OF 6		PAGE	

THIS DRAWING AND SPECIFICATIONS, HEREIN, ARE THE PROPERTY OF DIGITAL EQUIPMENT CORPORATION AND SHALL NOT BE REPRODUCED OR COPIED OR USED IN WHOLE OR IN PART AS THE BASIS FOR THE MANUFACTURE OR SALE OF ITEMS WITHOUT WRITTEN PERMISSION. COPYRIGHT © 1984 DIGITAL EQUIPMENT CORPORATION

SEE SHEET '0' FOR REVISIONS



SIZE CODE
CS
NUMBER
2924706-0-0
REV.

C

B

A

D

C

A

B

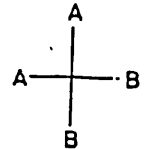
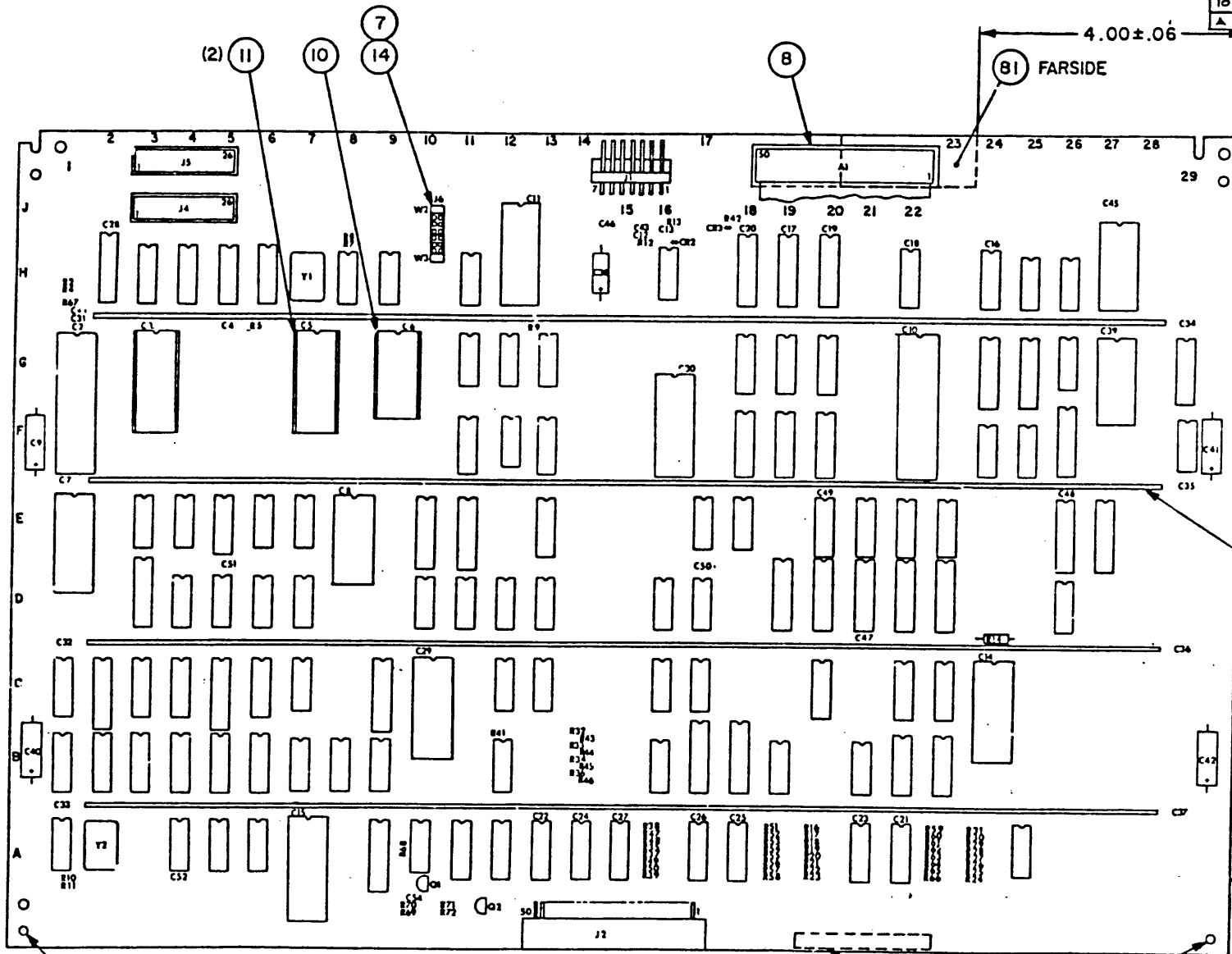
A

REV. 1
NUMBER 2924706-0-0
SIZE CS

TITLE		DOCUMENT NUMBER			
WRITE		NUMBER	CD	REV	
LOC-A1A3		CS 2924706-0-0		A	
CROSS REF NO	SHEET	OF	PAGE		
1106	6	6			

SHEET REVISION STATUS										REVISION RECORD			
REV	ECO	DESCRIPTION	DATE	CHKD	APP	REV	ECO	DESCRIPTION	DATE	CHKD	APP		
04	04	04	04	04	04	04	04	04	04	04	04		
04	05	04	04	04	04	04	04	04	04	04	04		
06	06	06	06	06	06	06	06	06	06	06	06		
07	07	07	07	07	07	07	07	07	07	07	07		
07	07	07	07	07	07	07	07	07	07	07	07		
07	07	07	07	07	07	07	07	07	07	07	07		
10	10	10	10	10	10	10	10	10	10	10	10		
▲	▲	▲	▲	▲	▲	▲	▲	▲	▲	▲	▲		

REV	ECO	DESCRIPTION	DATE	CHKD	APP
04	04	REVISED & REDRAWN			
04	05	INA TAB 52, REPL BY TAB 53	4-8-83	DM	
06	06	INA TAB 53, REPL BY TAB 54	5-31-83	DM	42
07	07	INA TAB 54, REPL BY TAB 55	9-2-83	DM	42
07	07	PL CHG ONLY	1-11-83	DM	
07	07	PL CHG ONLY	2-22-84	DM	
10	10	REVISED & REDRAWN			
▲	▲	CLASS 'A' RELEASE (CA=10)			
▲	▲	SEE DETACH REVISION			



AXIAL LEAD COMPONENT ORIENTATION

SEE DETAIL A

SEE DETAIL A

DETAIL A
SCALE - NONE

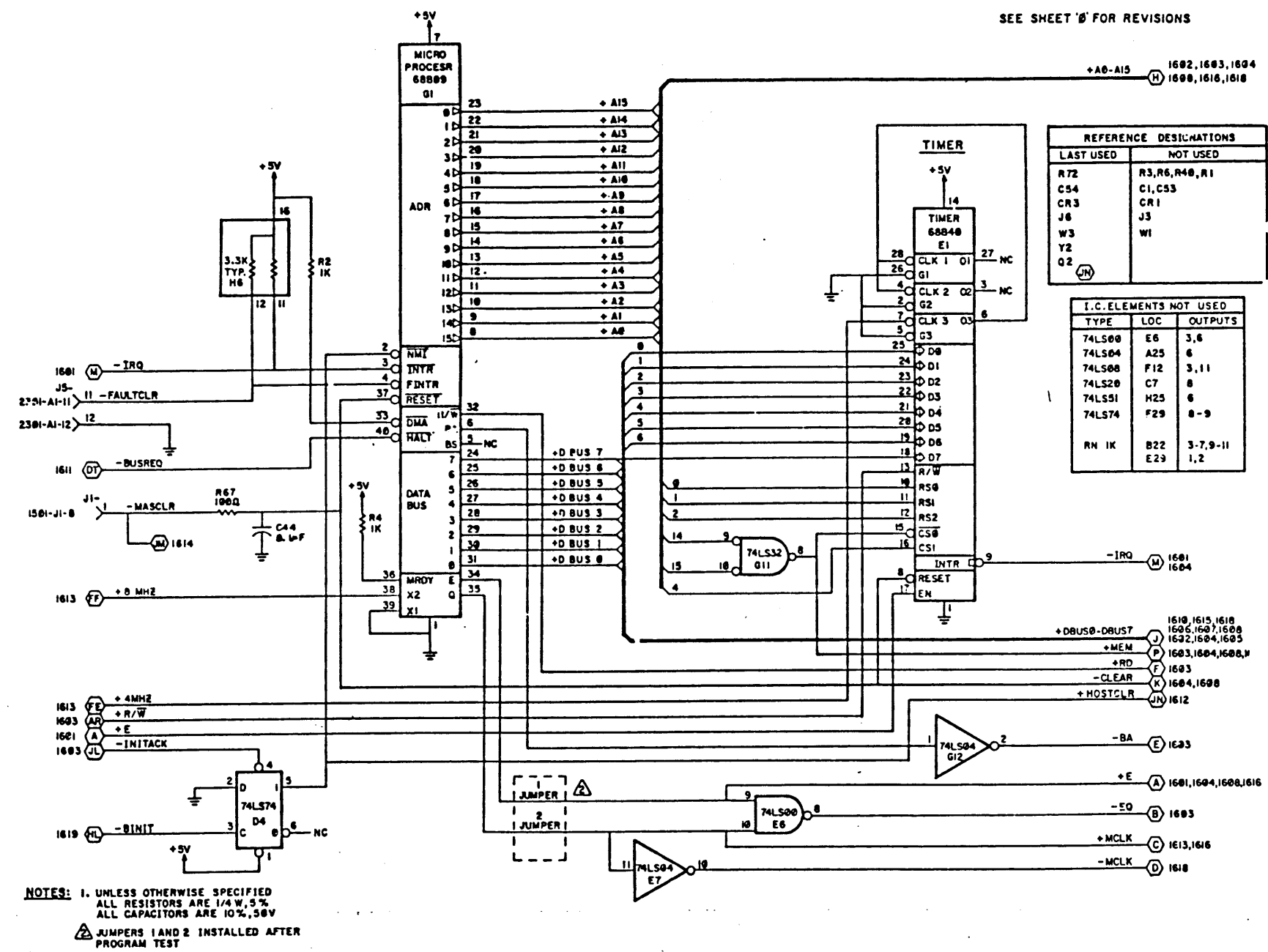
DR 77041250
PL 77041251-57
DN 77041250

STANDARD MFG. PRACTICES SHALL BE ADHERED TO PER WORKMANSHIP MANUAL SPEC. NO. 10120300			
UNLESS OTHERWISE SPECIFIED DIMENSIONS ARE IN INCHES	DWN	W/B	COMPUTER FEATHERALS INC
TOLERANCES	CHD	W/H	TAPE & CARD PRODUCTS DIV. MORRISTOWN, PA 19403
3 PLACE	1.5 PLACE	ANGLES	TITLE
± .015	± .005	± 0° 30'	PWA
MATERIAL	FINISH	THRD ANGLE PROJECTION	MSCP INTERFACE
	TIGS25-75		
DETACHED LISTS	SIZE D	CODE UA	DWG NO. 2924707-0-0
	SCALE 1/1	SHA	SHEET 1 OF 1

SHR

THIS DRAWING AND SPECIFICATIONS HEREIN ARE THE PROPERTY OF DIGITAL EQUIPMENT CORPORATION AND SHALL NOT BE REPRODUCED OR COPIED OR USED IN WHOLE OR IN PART AS THE BASIS FOR THE MANUFACTURE OR SALE OF ITEMS WITHOUT WRITTEN PERMISSION. COPYRIGHT © 1984, DIGITAL EQUIPMENT CORPORATION

SEE SHEET 'D' FOR REVISIONS



REFERENCE DESIGNATIONS	
LAST USED	NOT USED
R72	R3, R6, R40, R1
C54	C1, C53
CR3	CR1
J6	J3
W3	W1
Y2	
Q2	

I.C. ELEMENTS NOT USED		
TYPE	LOC	OUTPUTS
74LS00	E6	3, 6
74LS04	A25	6
74LS08	F12	3, 11
74LS20	C7	8
74LS51	H25	6
74LS74	F29	8-9
RM 1K	B22	3-7, 9-11
	E23	1, 2

NOTES: 1. UNLESS OTHERWISE SPECIFIED ALL RESISTORS ARE 1/4 W, 5% ALL CAPACITORS ARE 10%, 50V
 ⚠ JUMPERS 1 AND 2 INSTALLED AFTER PROGRAM TEST

SHEETS 2 THRU 19 ARE "C" SIZE

77022970

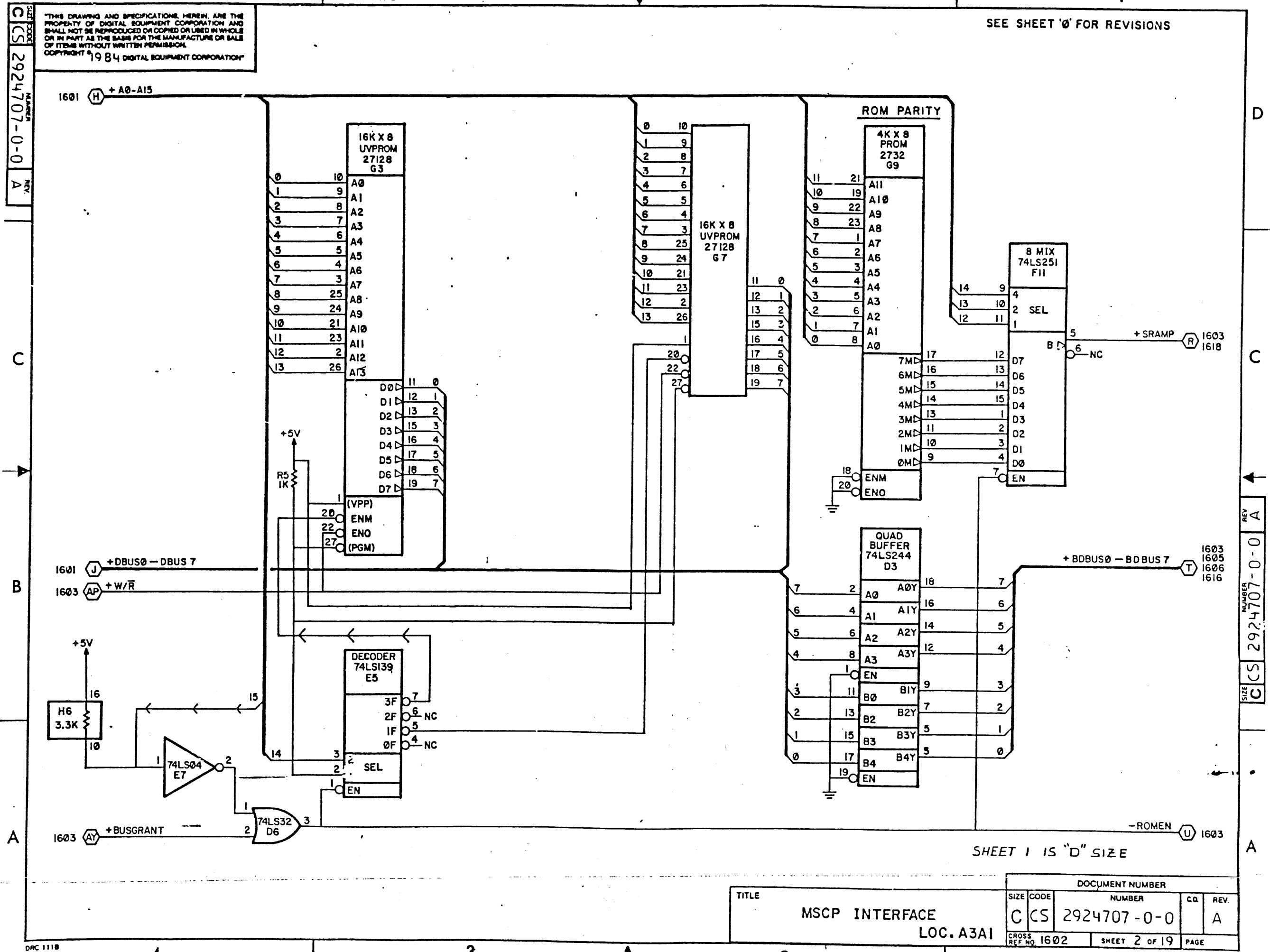
DRN: <i>[Signature]</i>	FIRST USED ON: digital
CHK: D	TITLE: MSCP INTERFACE
ENG:	LOC: A3A1
PROJ. ENG:	SIZE: D
PROD:	CODE: CS
NEXT HIGHER ASSY:	NUMBER: 2924707-0-0
	REV: A
SCALE:	DIST:
SHEET: 1 OF 19	

REV:	
CHANGE NO:	
REVISIONS:	
CHK:	

REV. A
D 2924707-0-0

THIS DRAWING AND SPECIFICATIONS HEREIN ARE THE PROPERTY OF DIGITAL EQUIPMENT CORPORATION AND SHALL NOT BE REPRODUCED OR COPIED OR USED IN WHOLE OR IN PART AS THE BASIS FOR THE MANUFACTURE OR SALE OF ITEMS WITHOUT WRITTEN PERMISSION. COPYRIGHT © 1984 DIGITAL EQUIPMENT CORPORATION

SEE SHEET '0' FOR REVISIONS



SIZE CODE
C CS
2924707-0-0
REV
A

SIZE CODE
C CS
2924707-0-0
REV
A

SHEET 1 IS "D" SIZE

TITLE		DOCUMENT NUMBER			
MSCP INTERFACE LOC. A3A1		SIZE CODE	NUMBER	CD	REV.
		C CS	2924707-0-0		A
CROSS REF. NO. 1602	SHEET 2 OF 19	PAGE			

THIS DRAWING AND SPECIFICATIONS HEREIN ARE THE PROPERTY OF DIGITAL EQUIPMENT CORPORATION AND SHALL NOT BE REPRODUCED OR COPIED OR USED IN WHOLE OR IN PART AS THE BASIS FOR THE MANUFACTURE OR SALE OF ITEMS WITHOUT WRITTEN PERMISSION.
 COPYRIGHT © 1984 DIGITAL EQUIPMENT CORPORATION

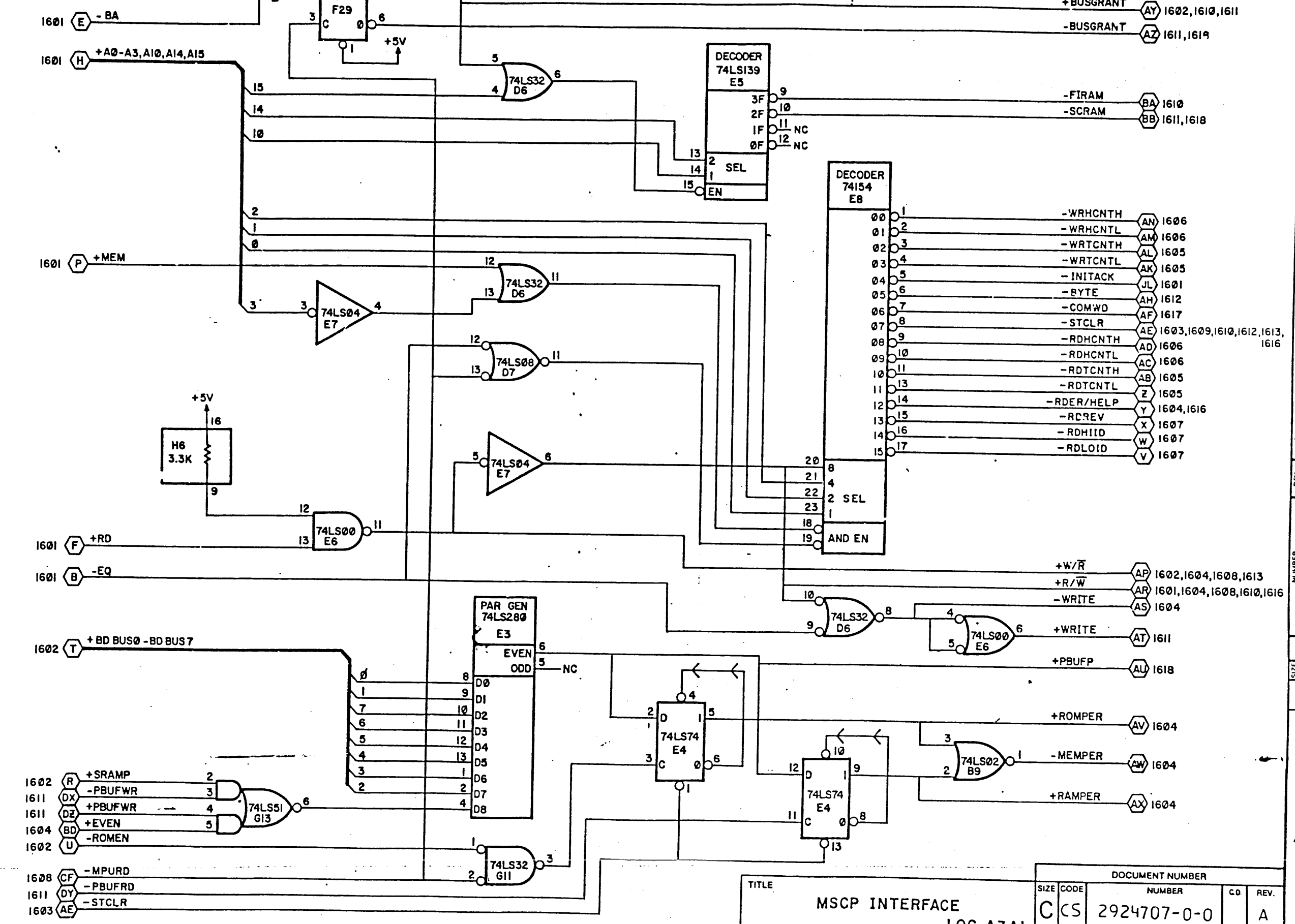
SEE SHEET '0' FOR REVISIONS

SIZE CODE
 CS 2924707-0-0
 NUMBER
 2924707-0-0
 REV
 A

C

B

A



D

C

A

A

REV
 A
 NUMBER
 2924707-0-0
 SIZE
 CS

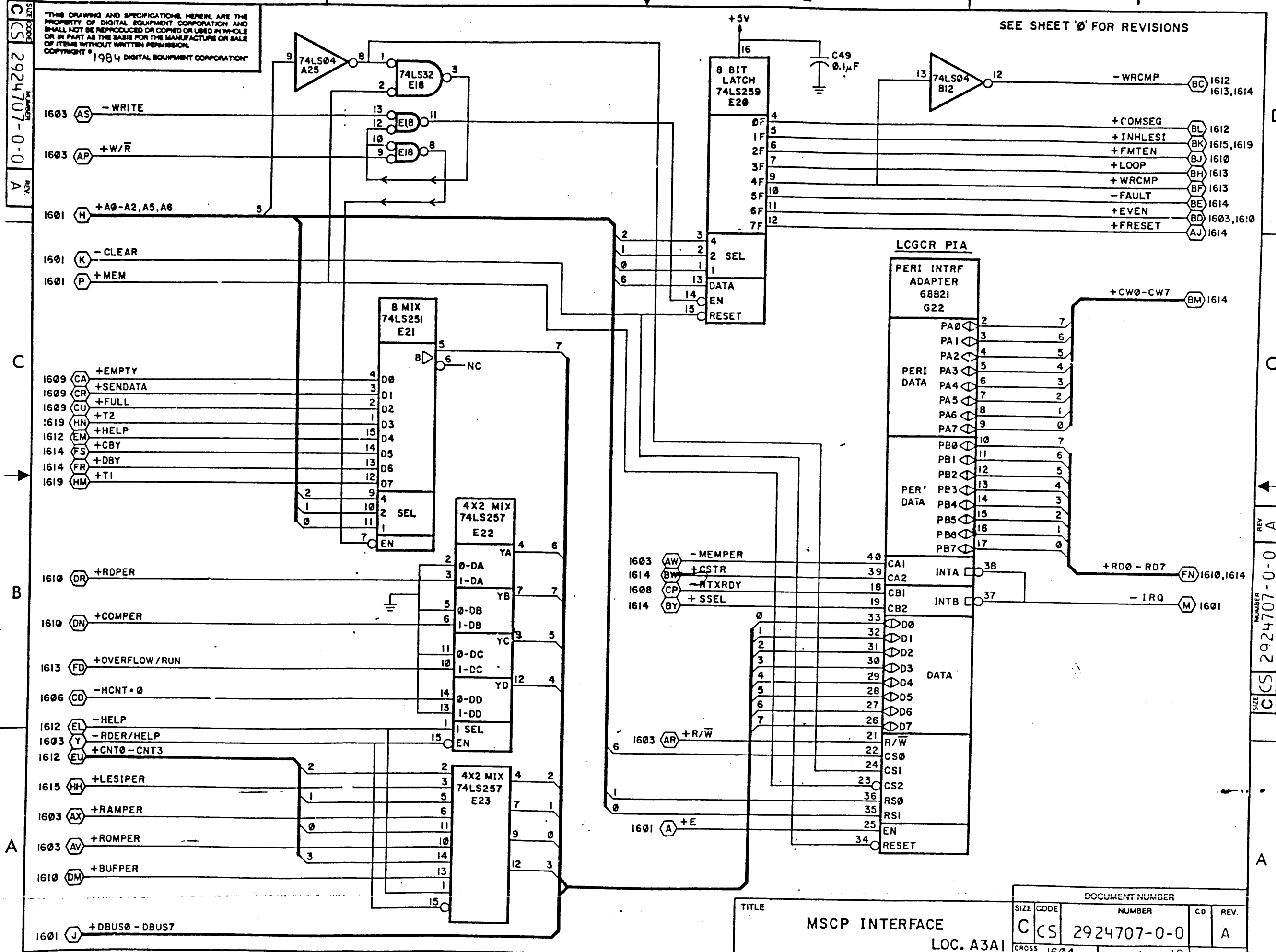
TITLE
 MSCP INTERFACE
 LOC.A3A1

DOCUMENT NUMBER		NUMBER		CD	REV.
SIZE	CODE				
CS	2924707-0-0				A
CROSS REF NO	1603	SHEET	3 OF 19	PAGE	

SIZE CODE
 CS 2924707-0-0
 NUMBER
 REV. A

THIS DRAWING AND SPECIFICATIONS HEREIN ARE THE PROPERTY OF DIGITAL EQUIPMENT CORPORATION AND SHALL NOT BE REPRODUCED OR COPIED OR USED IN WHOLE OR IN PART AS THE BASIS FOR THE MANUFACTURE OR SALE OF ITEMS WITHOUT WRITTEN PERMISSION.
 COPYRIGHT © 1984 DIGITAL EQUIPMENT CORPORATION

SEE SHEET 'D' FOR REVISIONS



TITLE
 MSCP INTERFACE
 LOC. A3A1

DOCUMENT NUMBER			
SIZE	CODE	NUMBER	REV.
C	CS	2924707-0-0	A
CROSS REF NO 1604		SHEET 4 OF 19	PAGE

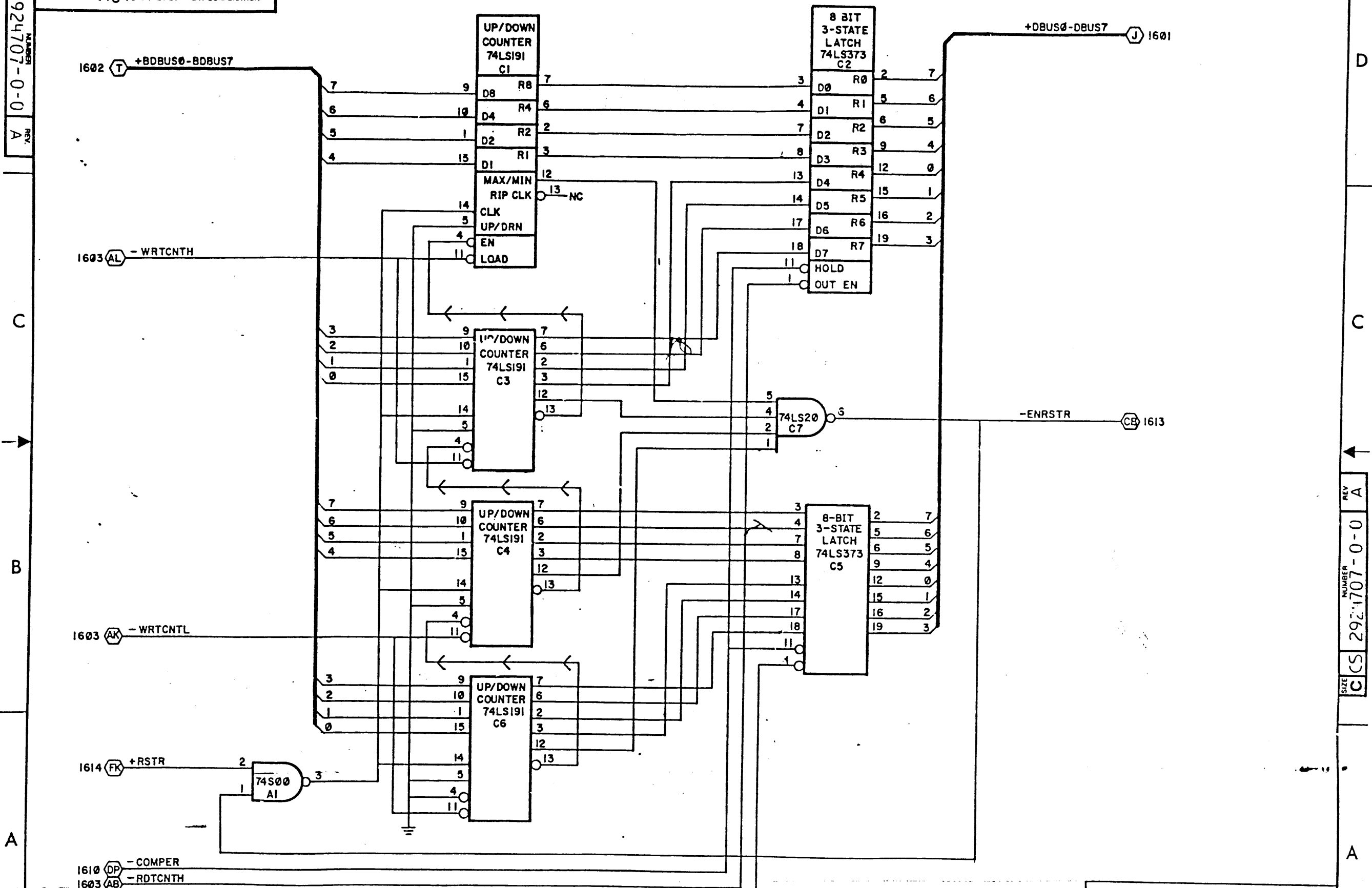
REV. A
 NUMBER
 CS 2924707-0-0
 SIZE

SIZE CODE
CS 2924707-0-0
REV. A

"THIS DRAWING AND SPECIFICATIONS, HEREIN, ARE THE PROPERTY OF DIGITAL EQUIPMENT CORPORATION AND SHALL NOT BE REPRODUCED OR COPIED OR USED IN WHOLE OR IN PART AS THE BASIS FOR THE MANUFACTURE OR SALE OF ITEMS WITHOUT WRITTEN PERMISSION. COPYRIGHT © 1984 DIGITAL EQUIPMENT CORPORATION"

TYPE BYTE COUNTER

SEE SHEET '0' FOR REVISIONS



C

B

A

D

C

A

A

SIZE NUMBER REV
CS 2924707-0-0 A

DRC 1118

4

3

2

1

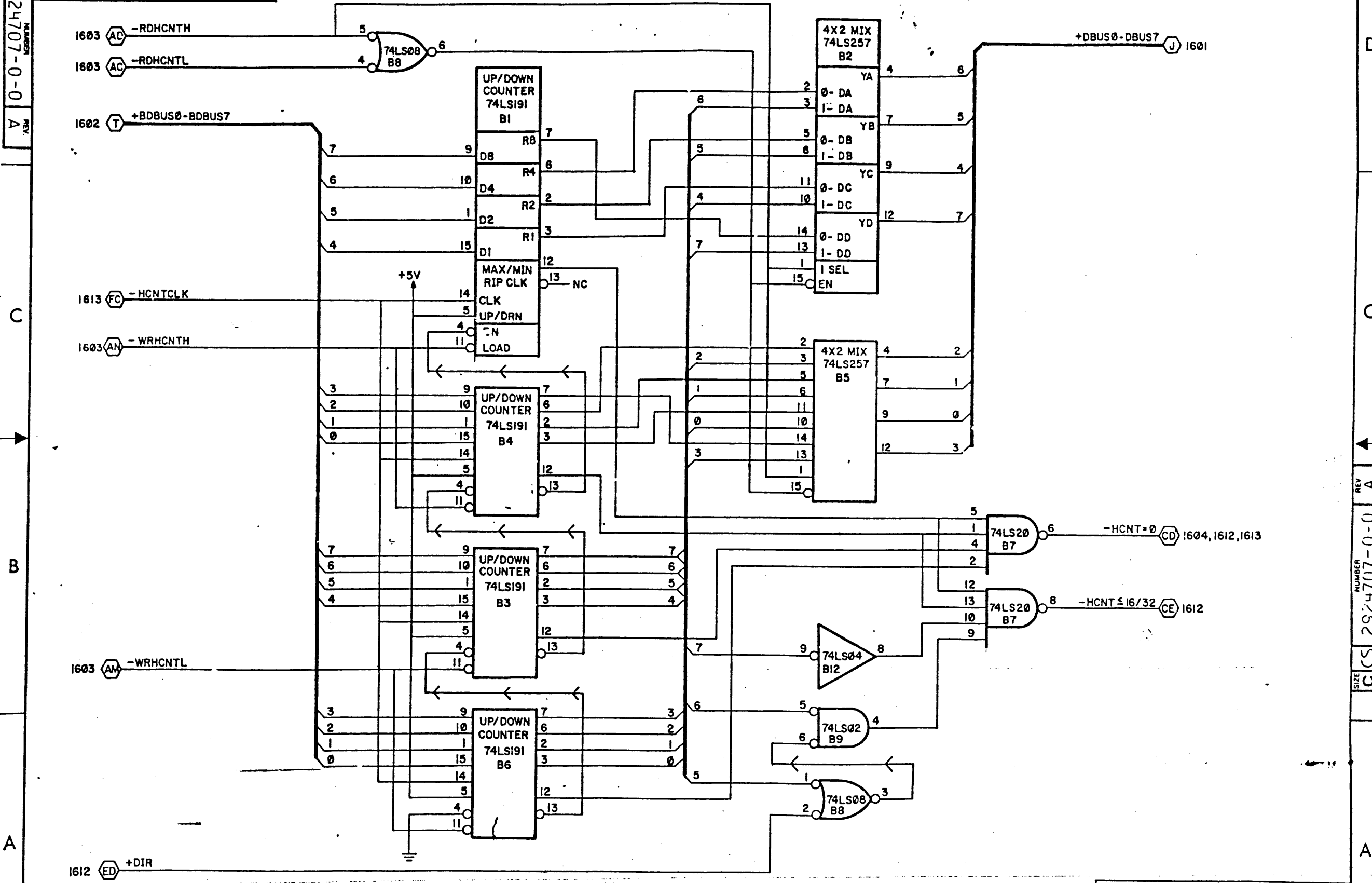
TITLE		DOCUMENT NUMBER			
MSCP INTERFACE		SIZE	CODE	NUMBER	REV.
LOC. A3A1		C	CS	2924707-0-0	A
CROSS REF. NO.	1605	SHEET 5 OF 19		PAGE	

SIZE CODE
 CS 2924707-0-0
 NUMBER
 A

THIS DRAWING AND SPECIFICATIONS HEREIN ARE THE PROPERTY OF DIGITAL EQUIPMENT CORPORATION AND SHALL NOT BE REPRODUCED OR COPIED OR USED IN WHOLE OR IN PART AS THE BASIS FOR THE MANUFACTURE OR SALE OF ITEMS WITHOUT WRITTEN PERMISSION. COPYRIGHT © 1984 DIGITAL EQUIPMENT CORPORATION

HOST BYTE COUNTER

SEE SHEET '0' FOR REVISIONS



A

B

C

A

B

C

D

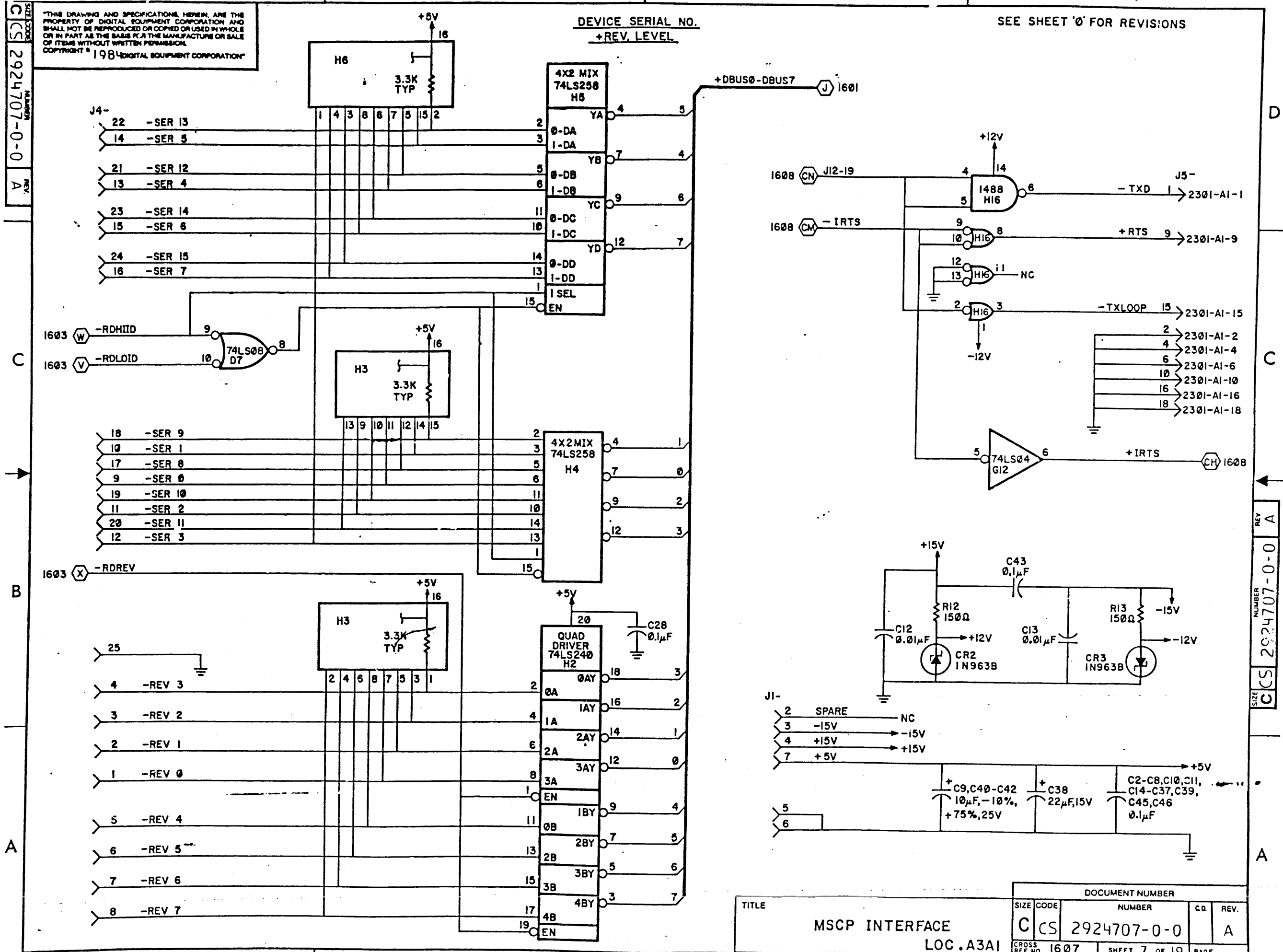
TITLE		DOCUMENT NUMBER			
MSCP INTERFACE		SIZE	CODE	NUMBER	CD
LOC. A3A1		C	CS	2924707-0-0	A
CROSS REF. NO.	SHEET	OF	PAGE	REV.	
1606	6	19			

SIZE CODE
 CS 2924707-0-0
 REV. A

THIS DRAWING AND SPECIFICATIONS, HEREIN, ARE THE PROPERTY OF DIGITAL EQUIPMENT CORPORATION AND SHALL NOT BE REPRODUCED OR COPIED OR USED IN WHOLE OR IN PART AS THE BASIS FOR THE MANUFACTURE OR SALE OF ITEMS WITHOUT WRITTEN PERMISSION. COPYRIGHT © 1984 DIGITAL EQUIPMENT CORPORATION

DEVICE SERIAL NO.
 +REV. LEVEL

SEE SHEET '0' FOR REVISIONS



DRC 111B

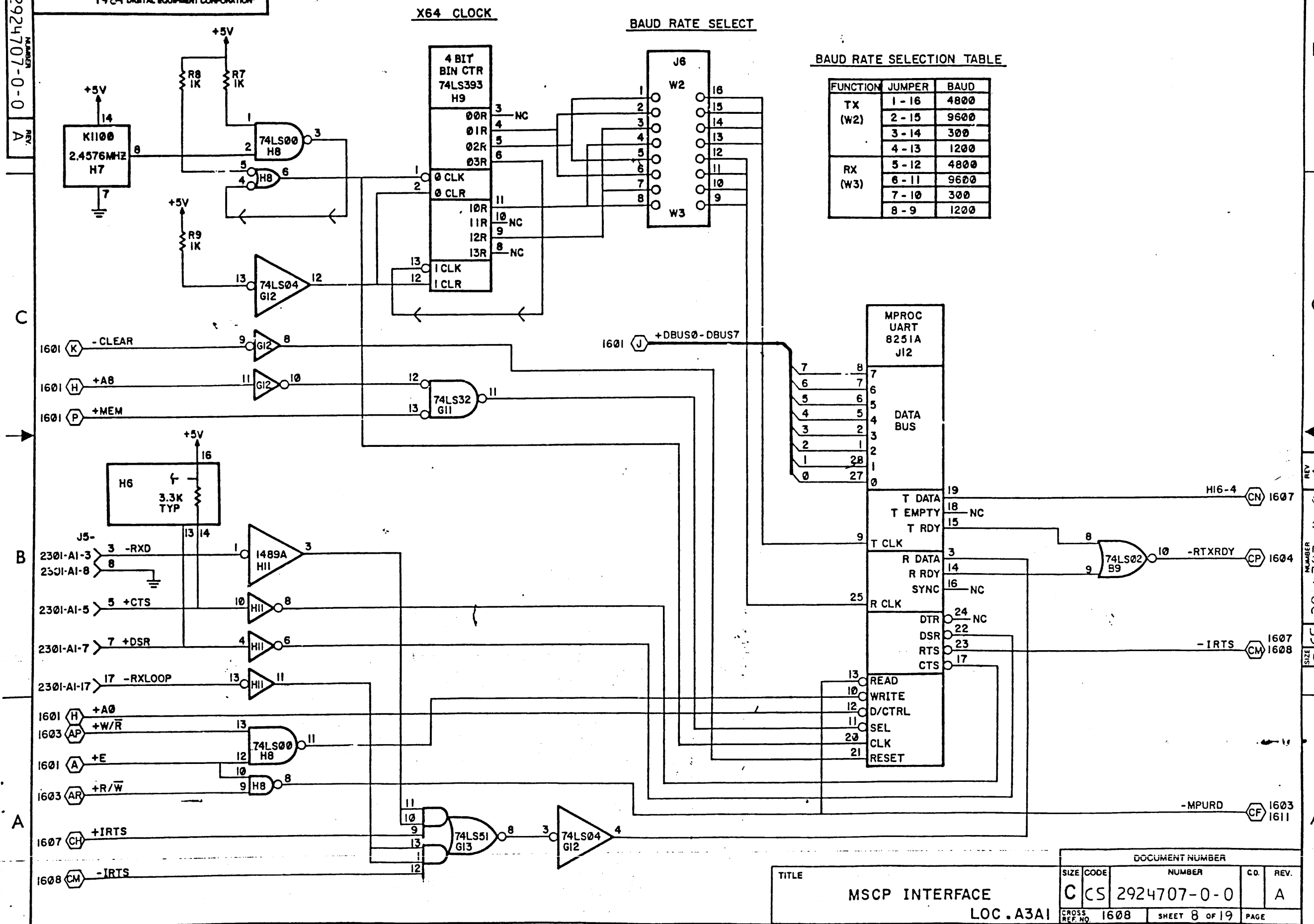
TITLE		DOCUMENT NUMBER			
MSCP INTERFACE LOC.A3A1		SIZE CODE	NUMBER	CD	REV.
		C CS	2924707-0-0		A
CROSS REF NO	1607	SHEET 7 OF 19		PAGE	

REV. A
 NUMBER 2924707-0-0
 SIZE CS

THIS DRAWING AND SPECIFICATIONS HEREIN ARE THE PROPERTY OF DIGITAL EQUIPMENT CORPORATION AND SHALL NOT BE REPRODUCED OR COPIED OR USED IN WHOLE OR IN PART AS THE BASIS FOR THE MANUFACTURE OR SALE OF ITEMS WITHOUT WRITTEN PERMISSION. COPYRIGHT © 1984 DIGITAL EQUIPMENT CORPORATION

SEE SHEET '0' FOR REVISIONS

ASCII PORT



BAUD RATE SELECTION TABLE

FUNCTION	JUMPER	BAUD
TX (W2)	1 - 16	4800
	2 - 15	9600
	3 - 14	300
	4 - 13	1200
RX (W3)	5 - 12	4800
	6 - 11	9600
	7 - 10	300
	8 - 9	1200

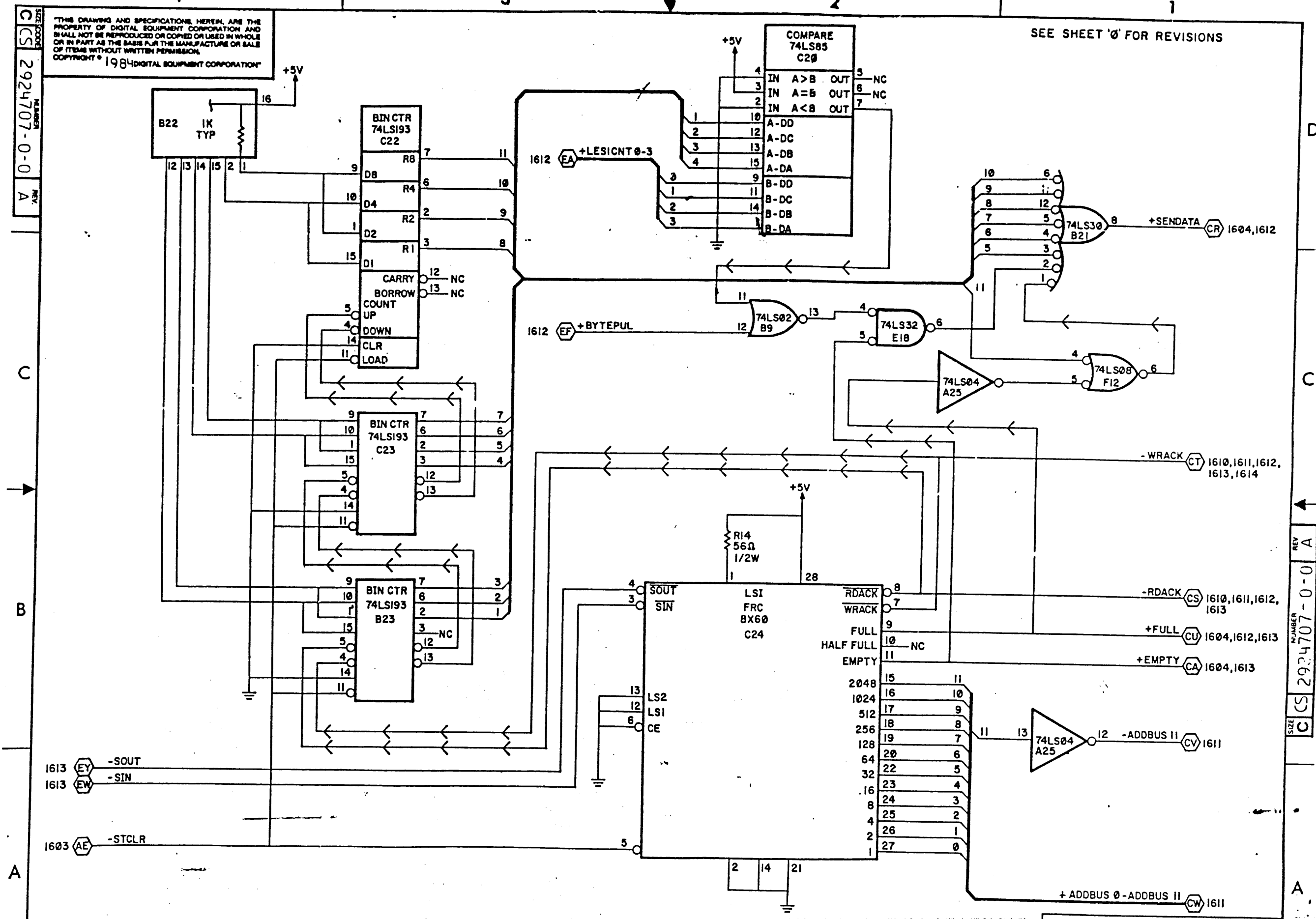
SIZE CODE
CS 2924707-0-0
REV. A

REV. A
NUMBER 2924707-0-0
SIZE CS

TITLE		DOCUMENT NUMBER	
MSCP INTERFACE		CS	2924707-0-0
LOC. A3A1		CROSS REF. NO. 1608	SHEET 8 OF 19
CO.	REV.	PAGE	
	A		

"THIS DRAWING AND SPECIFICATIONS, HEREIN, ARE THE PROPERTY OF DIGITAL EQUIPMENT CORPORATION AND SHALL NOT BE REPRODUCED OR COPIED OR USED IN WHOLE OR IN PART AS THE BASIS FOR THE MANUFACTURE OR SALE OF ITEMS WITHOUT WRITTEN PERMISSION. COPYRIGHT © 1984 DIGITAL EQUIPMENT CORPORATION"

SEE SHEET '0' FOR REVISIONS



SIZE CODE
CS 2924707-0-0
REV. A

C

B

A

D

C

REV. A

NUMBER
CS 2924707-0-0

A

TITLE		DOCUMENT NUMBER			
MSCP INTERFACE		SIZE	CODE	NUMBER	C.D.
LOC.A3A1		C	CS	2924707-0-0	A
CROSS REF. NO.	SHEET	OF	PAGE		
1609	9	19			

DRC 1118

4

3

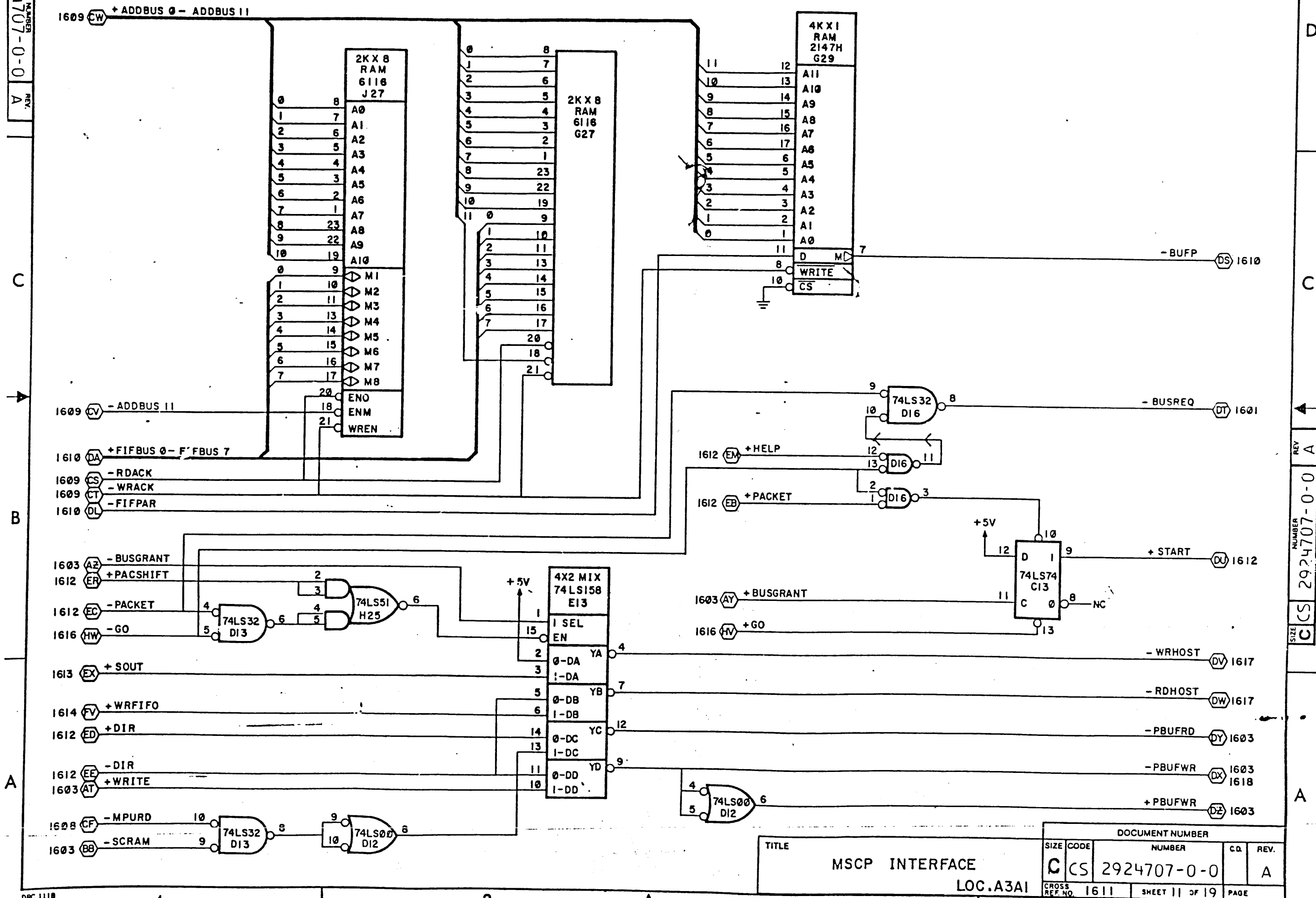
2

1

THIS DRAWING AND SPECIFICATIONS, HEREIN, ARE THE PROPERTY OF DIGITAL EQUIPMENT CORPORATION AND SHALL NOT BE REPRODUCED OR COPIED OR USED IN WHOLE OR IN PART AS THE BASIS FOR THE MANUFACTURE OR SALE OF ITEMS WITHOUT WRITTEN PERMISSION. COPYRIGHT © 1984 DIGITAL EQUIPMENT CORPORATION

SEE SHEET '0' FOR REVISIONS

FIFO/RAM



SIZE CODE
CS 2924707-0-0
REV. A

C

B

A

D

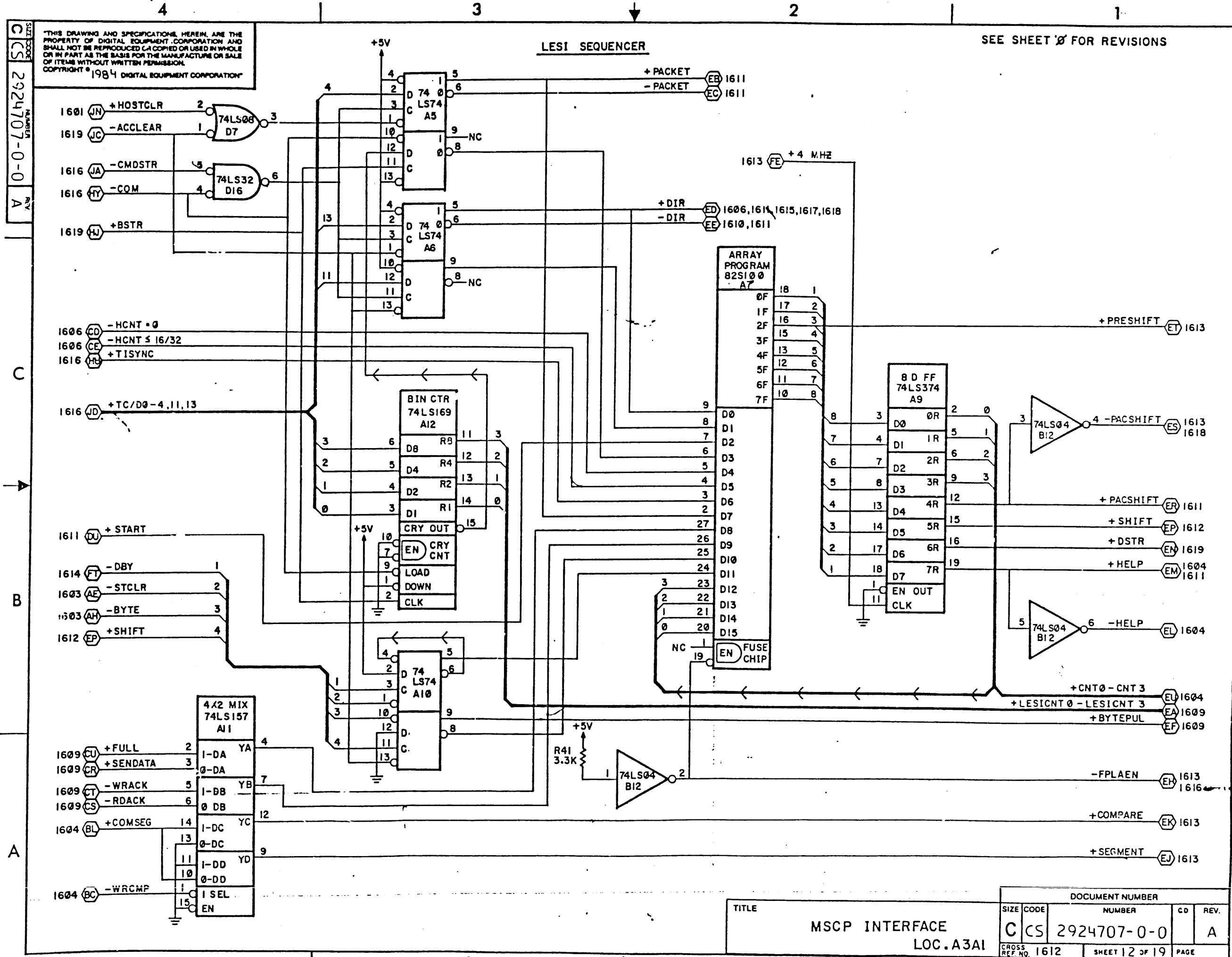
C

A

A

REV. A
NUMBER 2924707-0-0
SIZE CS

TITLE		DOCUMENT NUMBER			
MSCP INTERFACE LOC.A3A1		SIZE C	CODE CS	NUMBER 2924707-0-0	REV. A
CROSS REF. NO.	1611	SHEET	11	OF	19
PAGE					



THIS DRAWING AND SPECIFICATIONS HEREIN ARE THE PROPERTY OF DIGITAL EQUIPMENT CORPORATION AND SHALL NOT BE REPRODUCED OR COPIED OR USED IN WHOLE OR IN PART AS THE BASIS FOR THE MANUFACTURE OR SALE OF ITEMS WITHOUT WRITTEN PERMISSION. COPYRIGHT © 1984 DIGITAL EQUIPMENT CORPORATION

SIZE CODE
CS 2924707-0-0
REV A

C

B

A

LESI SEQUENCER

SEE SHEET 0 FOR REVISIONS

TITLE		DOCUMENT NUMBER			
MSCP INTERFACE LOC.A3A1		SIZE	CODE	NUMBER	CD
		C	CS	2924707-0-0	A
CROSS REF. NO.	1612	SHEET 12 OF 19		PAGE	

D

C

A

B

A

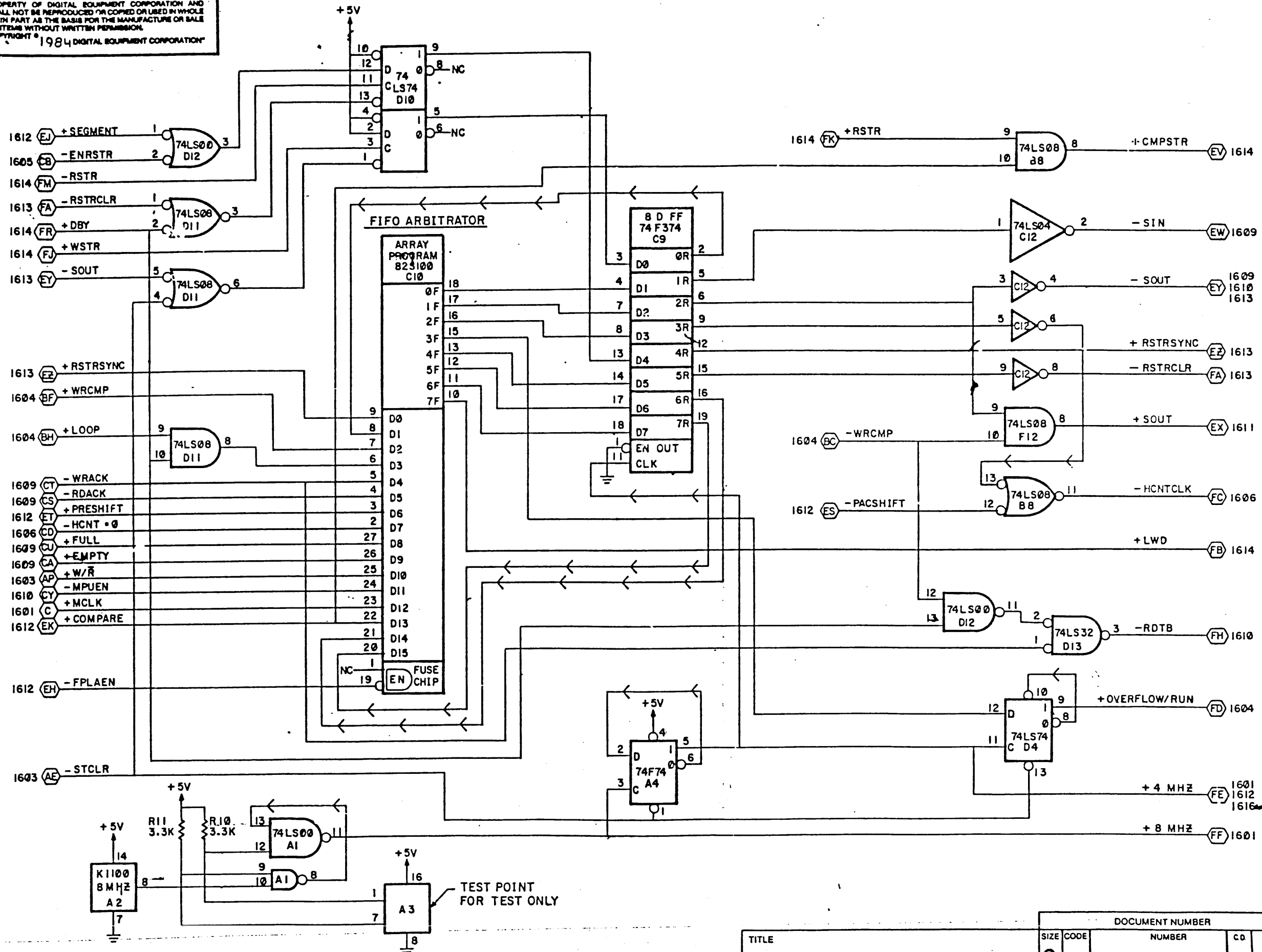
REV A
NUMBER
CS 2924707-0-0
SIZE

THIS DRAWING AND SPECIFICATIONS HEREIN ARE THE PROPERTY OF DIGITAL EQUIPMENT CORPORATION AND SHALL NOT BE REPRODUCED OR COPIED OR USED IN WHOLE OR IN PART AS THE BASIS FOR THE MANUFACTURE OR SALE OF ITEMS WITHOUT WRITTEN PERMISSION. COPYRIGHT © 1984 DIGITAL EQUIPMENT CORPORATION

SIZE CODE
CS
NUMBER
2924707-0-0
REV.
A

C
B
A

D
C
A
REV
A
NUMBER
2924707-0-0
REV
A



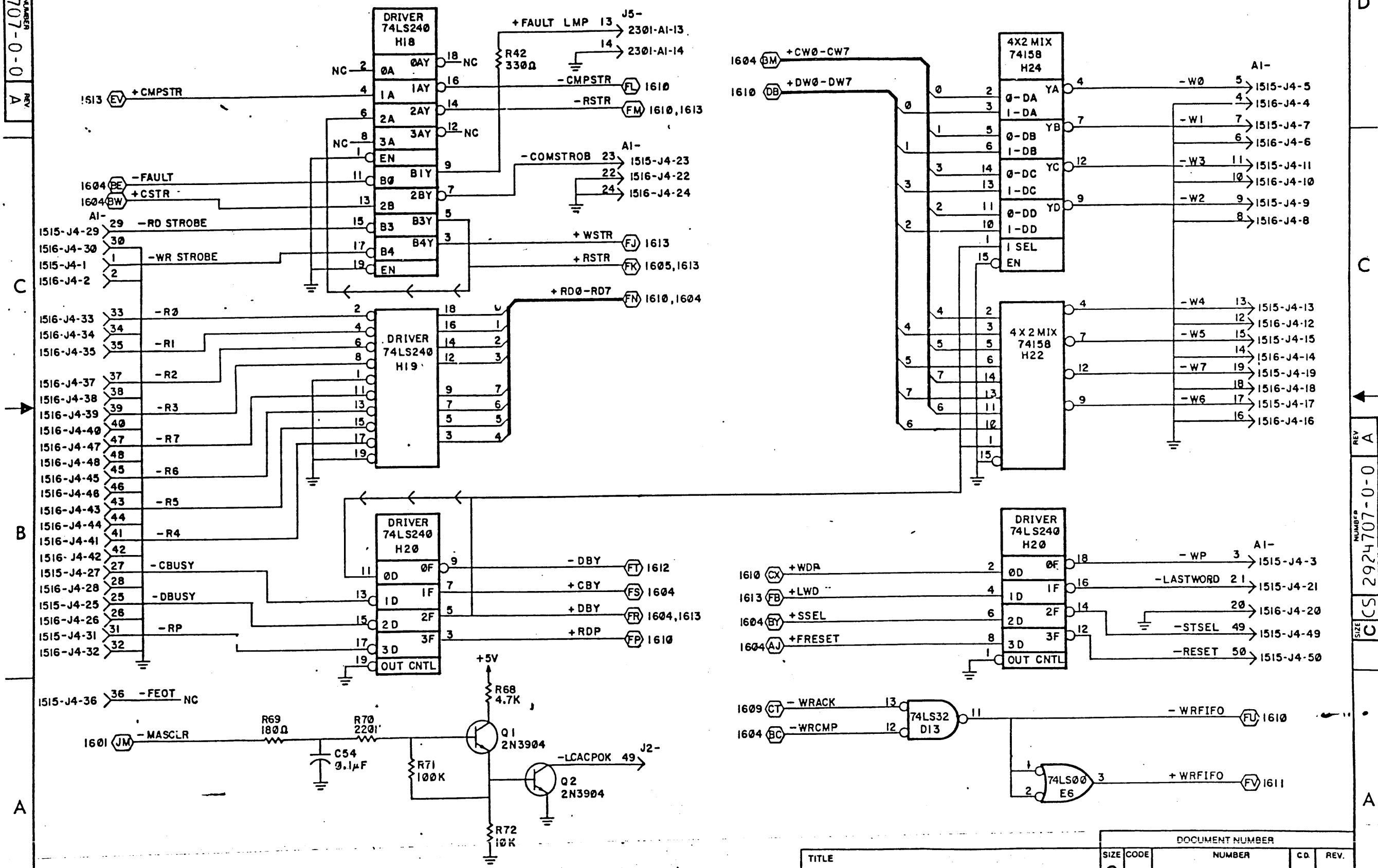
TITLE		DOCUMENT NUMBER			
MSCP INTERFACE LOC. A3A1		SIZE CODE	NUMBER	CD	REV.
		C CS	2924707-0-0		A
CROSS REF NO	1613	SHEET 13 OF 19		PAGE	

SIZE CODE
CS 2924707-0-0
REV A

THIS DRAWING AND SPECIFICATIONS HEREIN ARE THE PROPERTY OF DIGITAL EQUIPMENT CORPORATION AND SHALL NOT BE REPRODUCED OR COPIED OR USED IN WHOLE OR IN PART AS THE BASIS FOR THE MANUFACTURE OR SALE OF ITEMS WITHOUT WRITTEN PERMISSION.
COPYRIGHT © 1984 DIGITAL EQUIPMENT CORPORATION

SEE SHEET '0' FOR REVISIONS

LCGR DRIVERS AND RECEIVERS



A

A

TITLE		DOCUMENT NUMBER			
MSCP INTERFACE LOC. A3AI		SIZE	CODE	NUMBER	CD. REV.
		C	CS	2924707-0-0	A
CROSS REF. NO.	1614	SHEET	14	OF	19
		PAGE			

D

C

A

SIZE CODE
CS 2924707-0-0
REV A

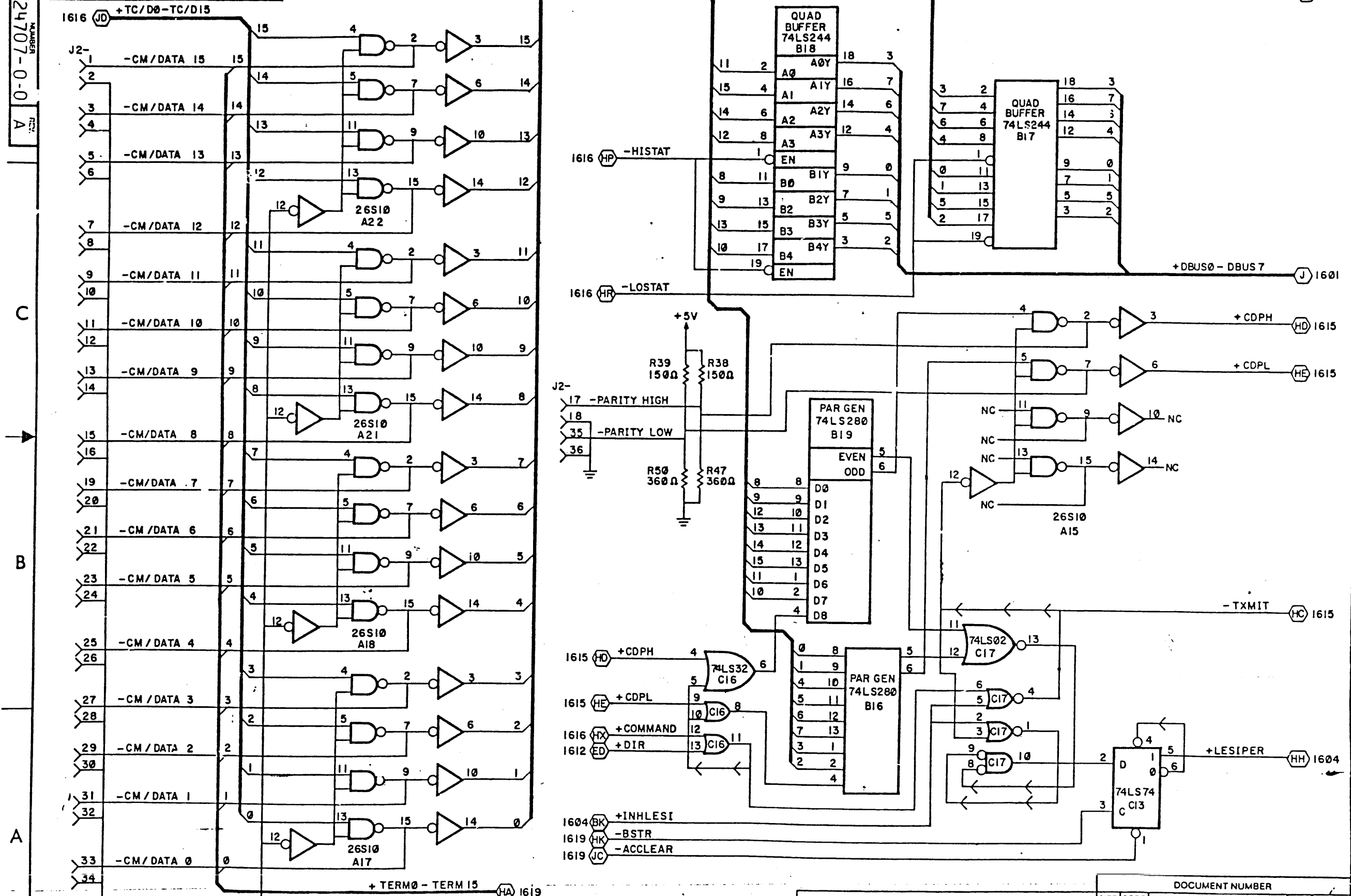
SIZE CODE
CS 2924707-0-0
 NUMBER
A

THIS DRAWING AND SPECIFICATIONS HEREIN ARE THE PROPERTY OF DIGITAL EQUIPMENT CORPORATION AND SHALL NOT BE REPRODUCED OR COPIED OR USED IN WHOLE OR IN PART AS THE BASIS FOR THE MANUFACTURE OR SALE OF ITEMS WITHOUT WRITTEN PERMISSION.
 COPYRIGHT © DIGITAL EQUIPMENT CORPORATION

LESI DRIVERS AND RECEIVERS

SEE SHEET 0 FOR REVISIONS

+RC/D0 - RC/R15 (HB) 1617



TITLE		DOCUMENT NUMBER			
MSCP INTERFACE LOC.A3A1		SIZE CODE	NUMBER	CD	REV.
		C	CS 2924707-0-0		A
CROSS REF. NO	1615	SHEET 15 OF 19		PAGE	

DRC 111B

4

3

2

1

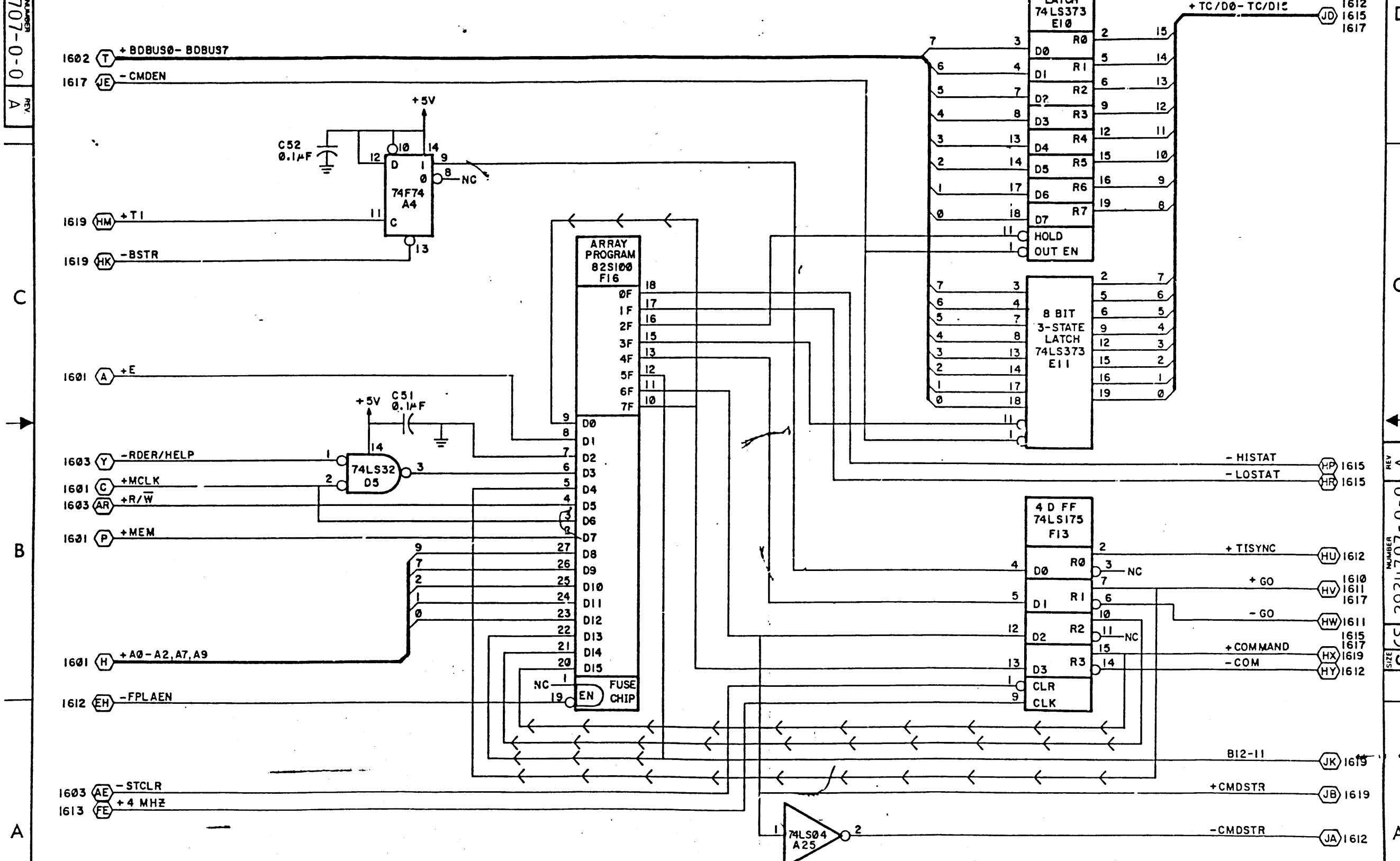
SIZE CODE
CS 2924707-0-0
 NUMBER
A

THIS DRAWING AND SPECIFICATIONS, HEREIN, ARE THE PROPERTY OF DIGITAL EQUIPMENT CORPORATION AND SHALL NOT BE REPRODUCED OR COPIED OR USED IN WHOLE OR IN PART AS THE BASIS FOR THE MANUFACTURE OR SALE OF ITEMS WITHOUT WRITTEN PERMISSION.
 COPYRIGHT © 1984 DIGITAL EQUIPMENT CORPORATION

SEE SHEET Ø FOR REVISIONS

LESI COMMAND SEQUENCER

SIZE CODE
 CS 2924707-0-0
 NUMBER
 REV
 A



C
 B
 A

D
 C
 A

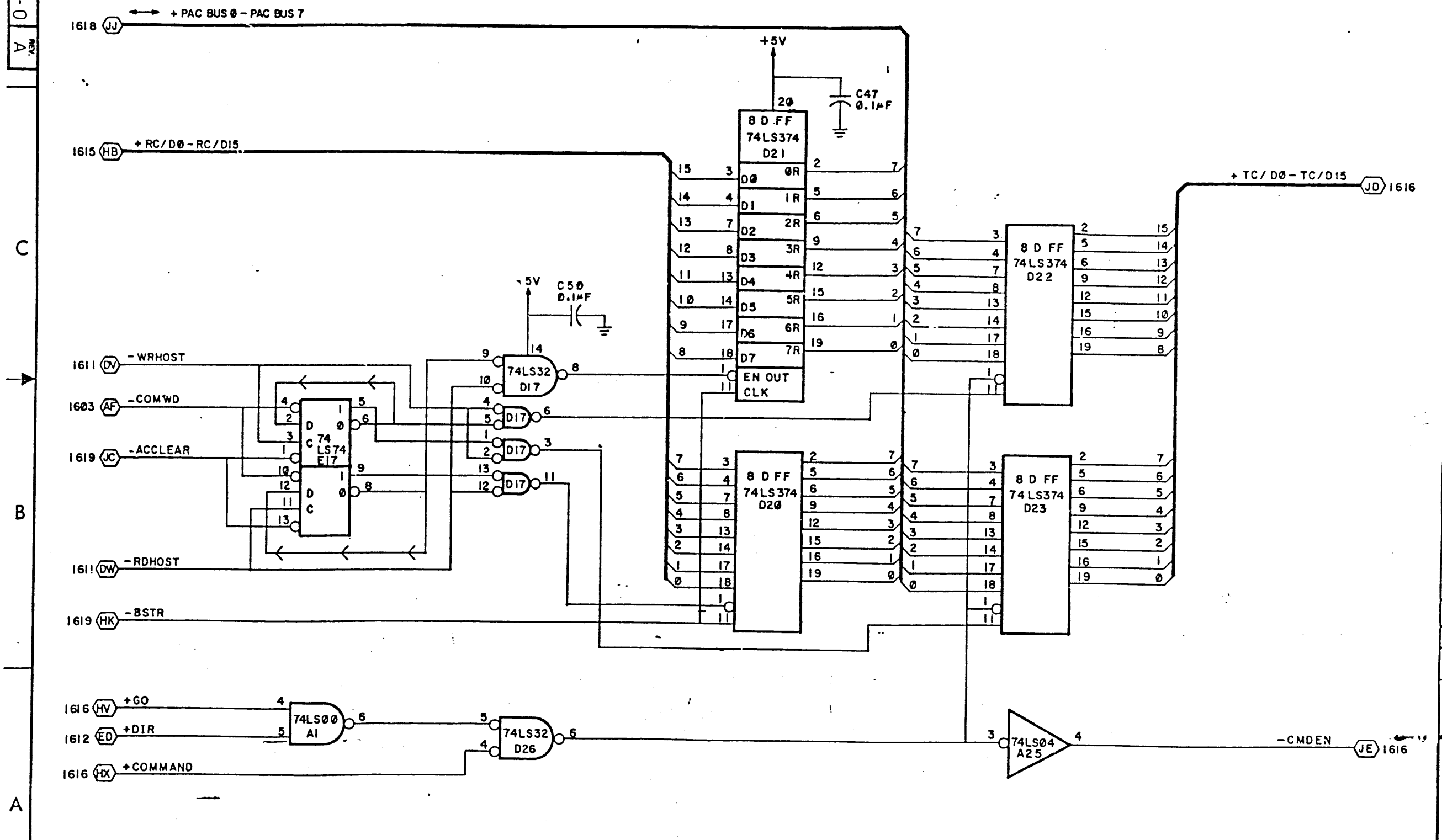
TITLE		DOCUMENT NUMBER			
MSØP INTERFACE		SIZE	CODE	NUMBER	CD. REV.
LOC. A3A1		C	CS	2924707-0-0	A
CROSS REF. NO.	1616	SHEET 16 OF 19		PAGE	

SIZE CODE
 CS 2924707-0-0
 NUMBER
 A

THIS DRAWING AND SPECIFICATIONS HEREIN ARE THE PROPERTY OF DIGITAL EQUIPMENT CORPORATION AND SHALL NOT BE REPRODUCED OR COPIED OR USED IN WHOLE OR IN PART AS THE BASIS FOR THE MANUFACTURE OR SALE OF ITEMS WITHOUT WRITTEN PERMISSION.
 COPYRIGHT © 1984 DIGITAL EQUIPMENT CORPORATION

SEE SHEET Ø FOR REVISIONS

SCRATCH PAD & PACKET BUFFER



TITLE		DOCUMENT NUMBER			
MSCP INTERFACE		SIZE CODE	NUMBER	CD	REV.
LOC. A3A1		C CS	2924707-0-0		A
CROSS REF. NO.	1617	SHEET 17 OF 19		PAGE	

DRC 111B

4

3

2

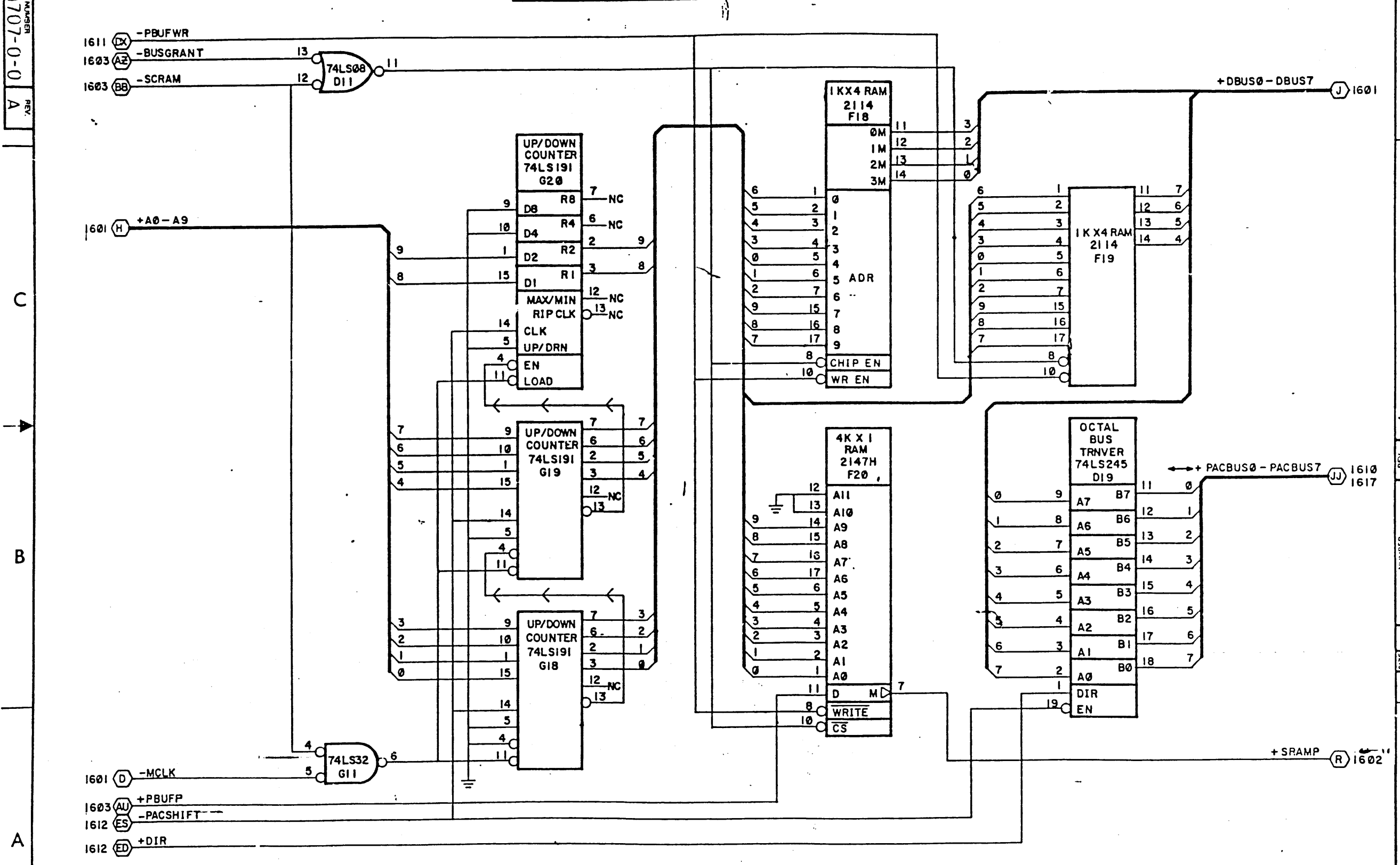
1

D
 C
 A
 REV A
 NUMBER 2924707-0-0
 SIZE CODE CS

THIS DRAWING AND SPECIFICATIONS HEREIN ARE THE PROPERTY OF DIGITAL EQUIPMENT CORPORATION AND SHALL NOT BE REPRODUCED OR COPIED OR USED IN WHOLE OR IN PART AS THE BASIS FOR THE MANUFACTURE OR SALE OF ITEMS WITHOUT WRITTEN PERMISSION.
 COPYRIGHT © 1984 DIGITAL EQUIPMENT CORPORATION

SEE SHEET Ø FOR REVISIONS

SCRATCH PAD & PACKET BUFFER



SIZE CODE
 CS 2924707-0-0
 REV. A

C

B

A

D

C

A

A

SIZE CODE
 CS 2924707-0-0
 REV. A

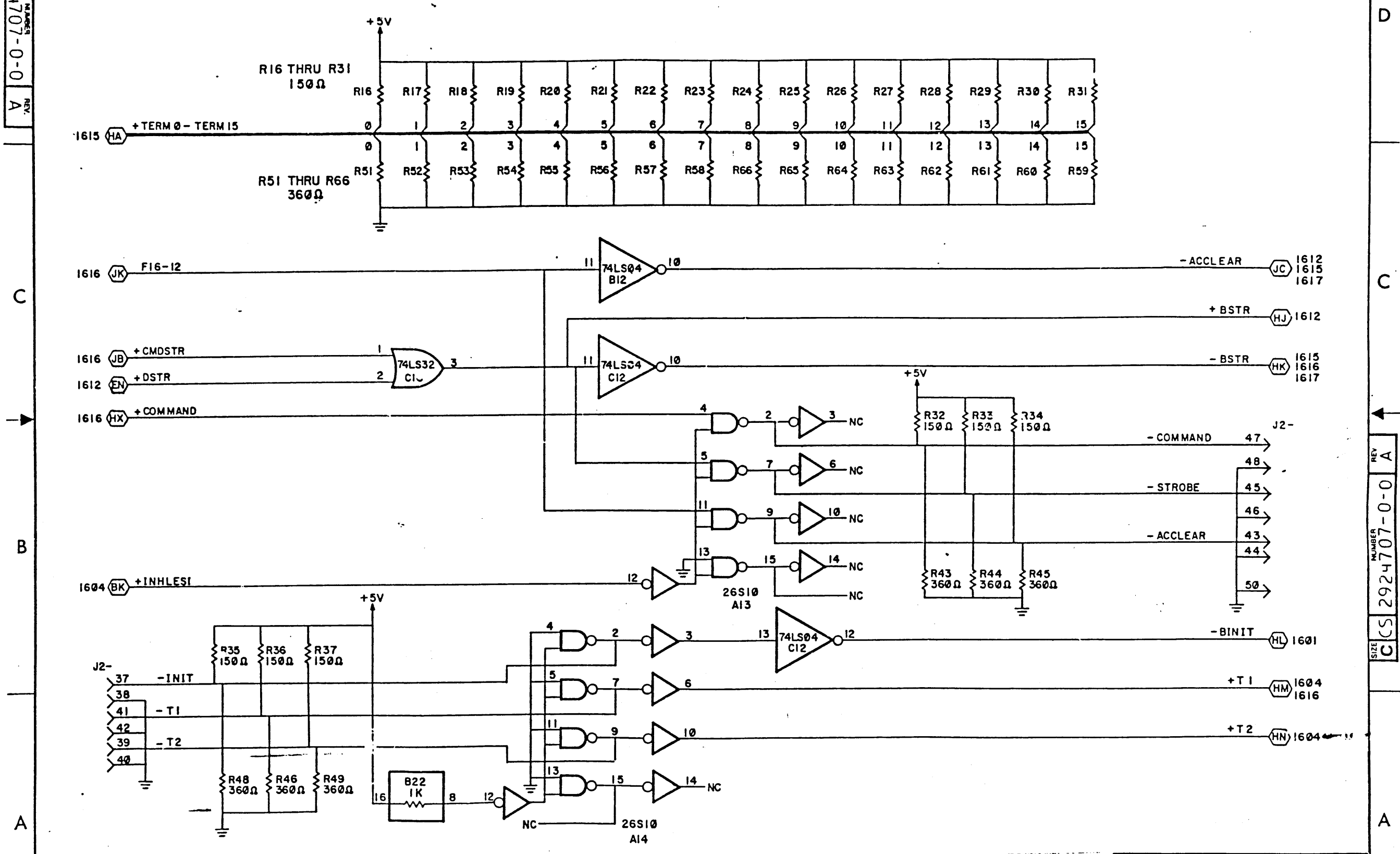
TITLE
 MSCP INTERFACE
 LOC. A3A1

DOCUMENT NUMBER				
SIZE	CODE	NUMBER	CD	REV.
C	CS	2924707-0-0		A
CROSS REF. NO		1618	SHEET 18 OF 19 PAGE	

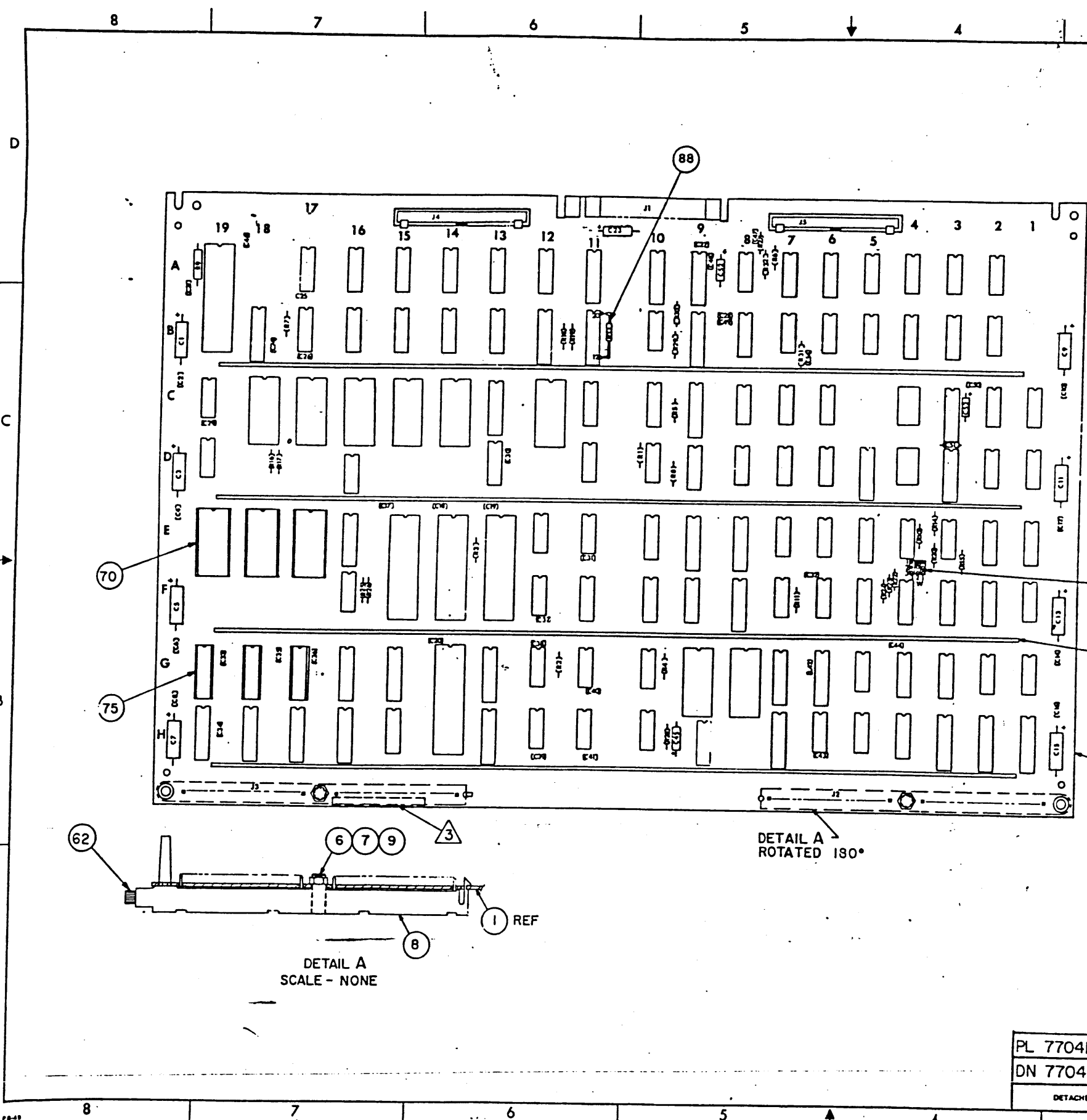
SIZE CODE
CS 2924707-0-0
REV. A

THIS DRAWING AND SPECIFICATIONS HEREIN ARE THE PROPERTY OF DIGITAL EQUIPMENT CORPORATION AND SHALL NOT BE REPRODUCED OR COPIED OR USED IN WHOLE OR IN PART AS THE BASIS FOR THE MANUFACTURE OR SALE OF ITEMS WITHOUT WRITTEN PERMISSION.
COPYRIGHT © 1984 DIGITAL EQUIPMENT CORPORATION

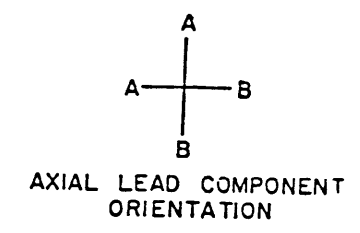
SEE SHEET 0 FOR REVISIONS



TITLE		DOCUMENT NUMBER	
MSCP INTERFACE		NUMBER	CD. REV.
LOC. A3A1		CS 2924707-0-0	A
CROSS REF. NO.	1619	SHEET 19 OF 19	PAGE



SHEET REVISION STATUS										REVISION RECORD				
REV	ECO	DESCRIPTION	DRFT	DATE	CHKD	APP	REV	ECO	DESCRIPTION	DRFT	DATE	CHKD	APP	
17	01	01	01	01	01	01	01	01	01	01	01	01	01	
16	01	01	01	01	01	01	01	01	01	01	01	01	01	
15	01	01	01	01	01	01	01	01	01	01	01	01	01	
14	01	01	01	01	01	01	01	01	01	01	01	01	01	
13	01	01	01	01	01	01	01	01	01	01	01	01	01	
12	01	01	01	01	01	01	01	01	01	01	01	01	01	
11	01	01	01	01	01	01	01	01	01	01	01	01	01	
10	01	01	01	01	01	01	01	01	01	01	01	01	01	
9	01	01	01	01	01	01	01	01	01	01	01	01	01	
8	01	01	01	01	01	01	01	01	01	01	01	01	01	
7	01	01	01	01	01	01	01	01	01	01	01	01	01	
6	01	01	01	01	01	01	01	01	01	01	01	01	01	
5	01	01	01	01	01	01	01	01	01	01	01	01	01	
4	01	01	01	01	01	01	01	01	01	01	01	01	01	
3	01	01	01	01	01	01	01	01	01	01	01	01	01	
2	01	01	01	01	01	01	01	01	01	01	01	01	01	
1	01	01	01	01	01	01	01	01	01	01	01	01	01	
01	01	01	01	01	01	01	01	01	01	01	01	01	01	
02	01	01	01	01	01	01	01	01	01	01	01	01	01	
03	01	01	01	01	01	01	01	01	01	01	01	01	01	
04	01	01	01	01	01	01	01	01	01	01	01	01	01	
05	01	01	01	01	01	01	01	01	01	01	01	01	01	
06	01	01	01	01	01	01	01	01	01	01	01	01	01	
07	01	01	01	01	01	01	01	01	01	01	01	01	01	
08	01	01	01	01	01	01	01	01	01	01	01	01	01	
09	01	01	01	01	01	01	01	01	01	01	01	01	01	
10	01	01	01	01	01	01	01	01	01	01	01	01	01	
11	01	01	01	01	01	01	01	01	01	01	01	01	01	
12	01	01	01	01	01	01	01	01	01	01	01	01	01	
13	01	01	01	01	01	01	01	01	01	01	01	01	01	
14	01	01	01	01	01	01	01	01	01	01	01	01	01	
15	01	01	01	01	01	01	01	01	01	01	01	01	01	
16	01	01	01	01	01	01	01	01	01	01	01	01	01	
17	01	01	01	01	01	01	01	01	01	01	01	01	01	
18	01	01	01	01	01	01	01	01	01	01	01	01	01	
19	01	01	01	01	01	01	01	01	01	01	01	01	01	
20	01	01	01	01	01	01	01	01	01	01	01	01	01	



DETAIL A
SCALE - NONE

DETAIL A
ROTATED 180°

STANDARD MFG. PRACTICES SHALL BE ADHERED TO PER WORKMANSHIP MANUAL SPEC. NO. 10120300

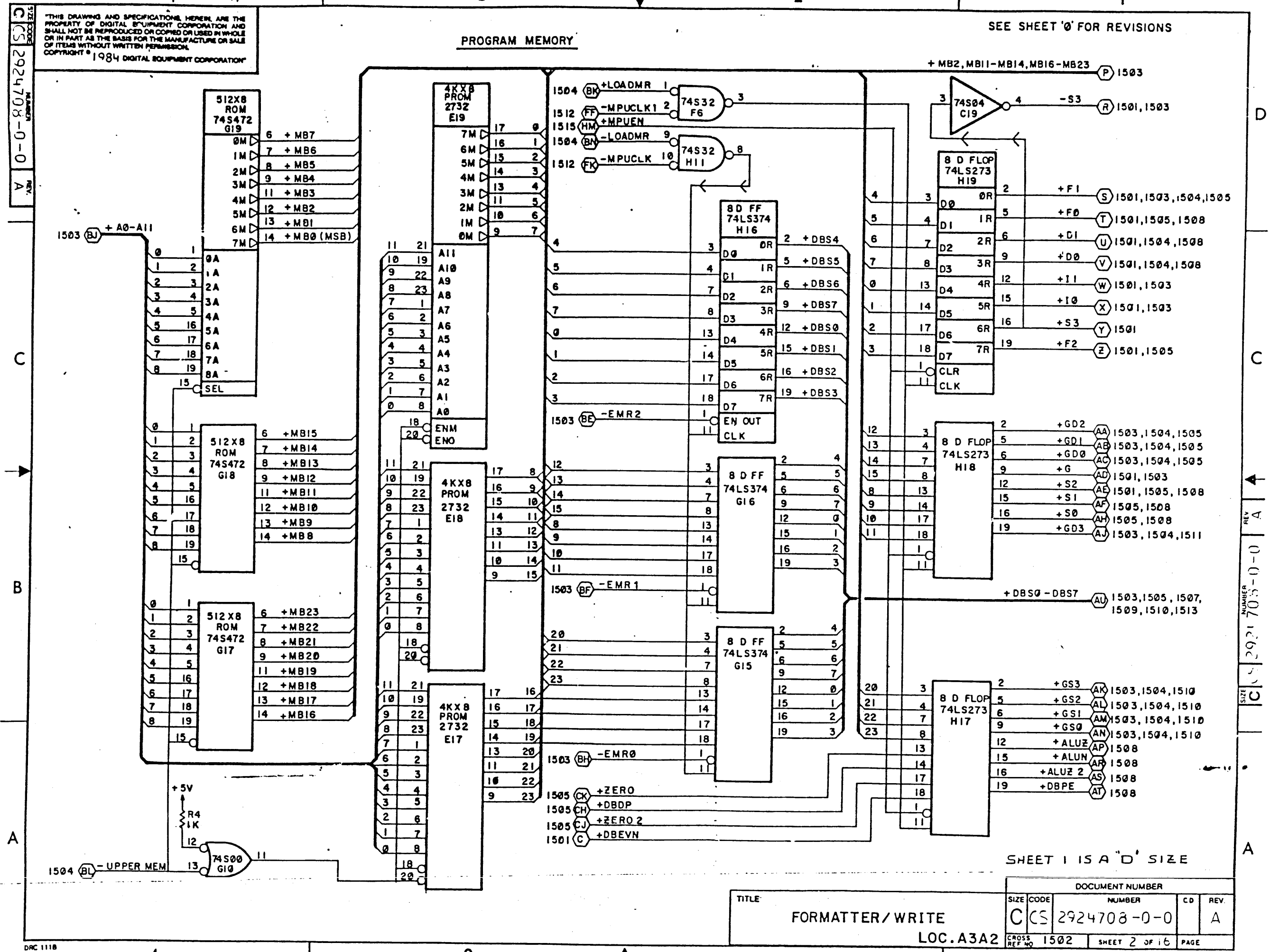
UNLESS OTHERWISE SPECIFIED DIMENSIONS ARE IN INCHES TOLERANCES 2 PLACE 3 PLACE ANGLES ± .005 ± 0°30'	DWN CHKD ENGR MFG MATERIAL FINISH	0.250 1.250 1.250 1.250 1.250 1.250	COMPUTER PERIPHERALS INC. TAPE & CARD PRODUCTS DIV. NORRISTOWN, PA. 19403
PL 77041241-48 DN 77041240	TITLE PWA FORMATTER / WRITE		SIZE D
DETACHED LISTS	EQUIP NO. TTGS25-75	THIRD ANGLE PROJECTION	CODE UA
			DRG NO. 2924708-0-0
			SCALE 1/1
			SHEET 1 OF 1

SHR 1

THIS DRAWING AND SPECIFICATIONS HEREIN ARE THE PROPERTY OF DIGITAL EQUIPMENT CORPORATION AND SHALL NOT BE REPRODUCED OR COPIED OR USED IN WHOLE OR IN PART AS THE BASIS FOR THE MANUFACTURE OR SALE OF ITEMS WITHOUT WRITTEN PERMISSION. COPYRIGHT © 1984 DIGITAL EQUIPMENT CORPORATION

SEE SHEET '0' FOR REVISIONS

PROGRAM MEMORY



SIZE CODE
CS 2924708-0-0
REV. A

C

B

A

D

C

A

SIZE CODE
CS 2924708-0-0
REV. A

A

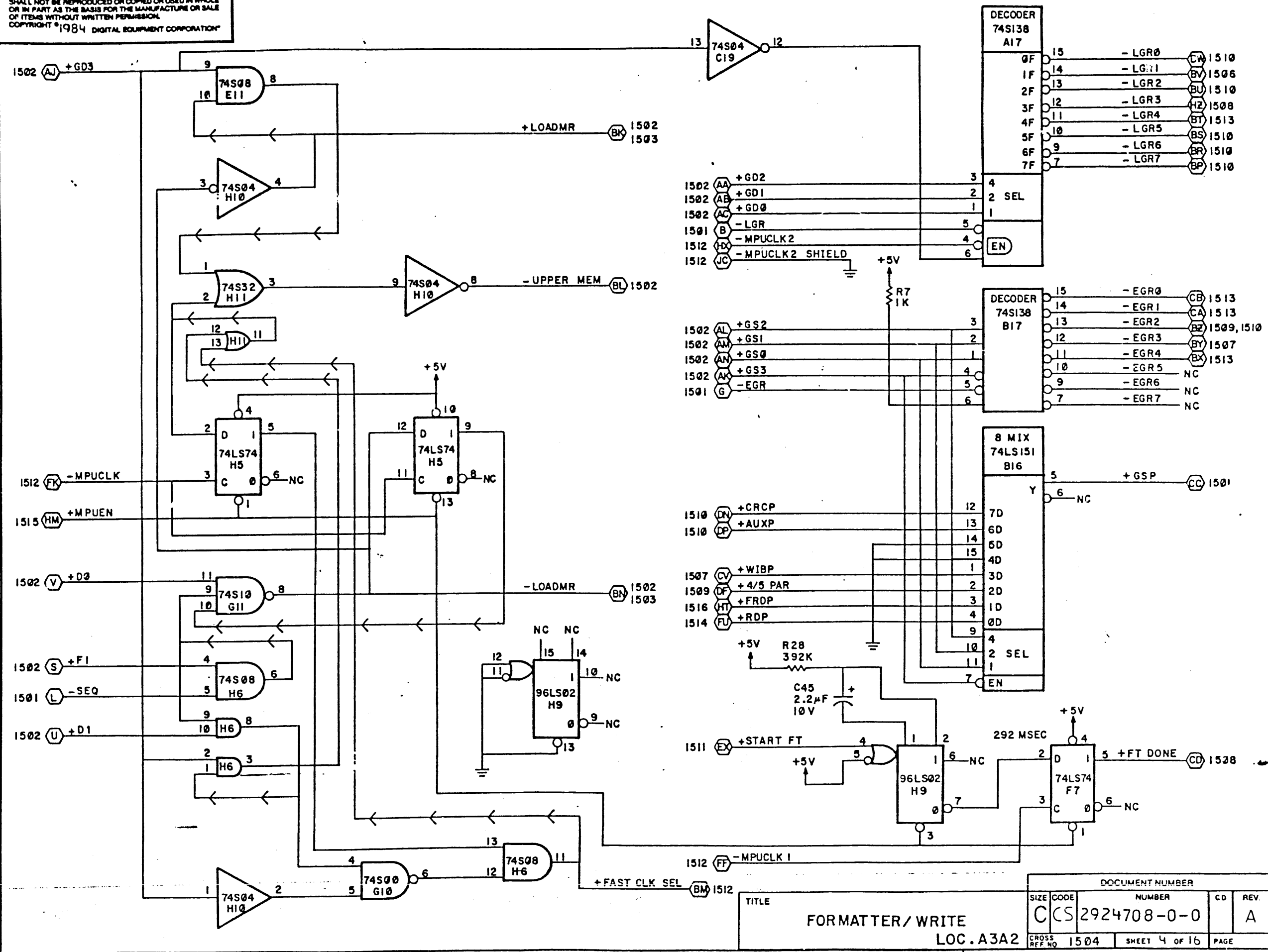
SHEET 1 IS A "D" SIZE

TITLE		DOCUMENT NUMBER			
FORMATTER/WRITE		SIZE CODE	NUMBER	CD	REV.
LOC. A3A2		CS	2924708-0-0		A
CROSS REF. NO.	SHEET	OF		PAGE	
1502	2	OF		16	

THIS DRAWING AND SPECIFICATIONS HEREIN ARE THE PROPERTY OF DIGITAL EQUIPMENT CORPORATION AND SHALL NOT BE REPRODUCED OR COPIED OR USED IN WHOLE OR IN PART AS THE BASIS FOR THE MANUFACTURE OR SALE OF ITEMS WITHOUT WRITTEN PERMISSION. COPYRIGHT © 1984 DIGITAL EQUIPMENT CORPORATION

SIZE CODE
CS
2924708-0-0
REV. A

SEE SHEET 0 FOR REVISIONS

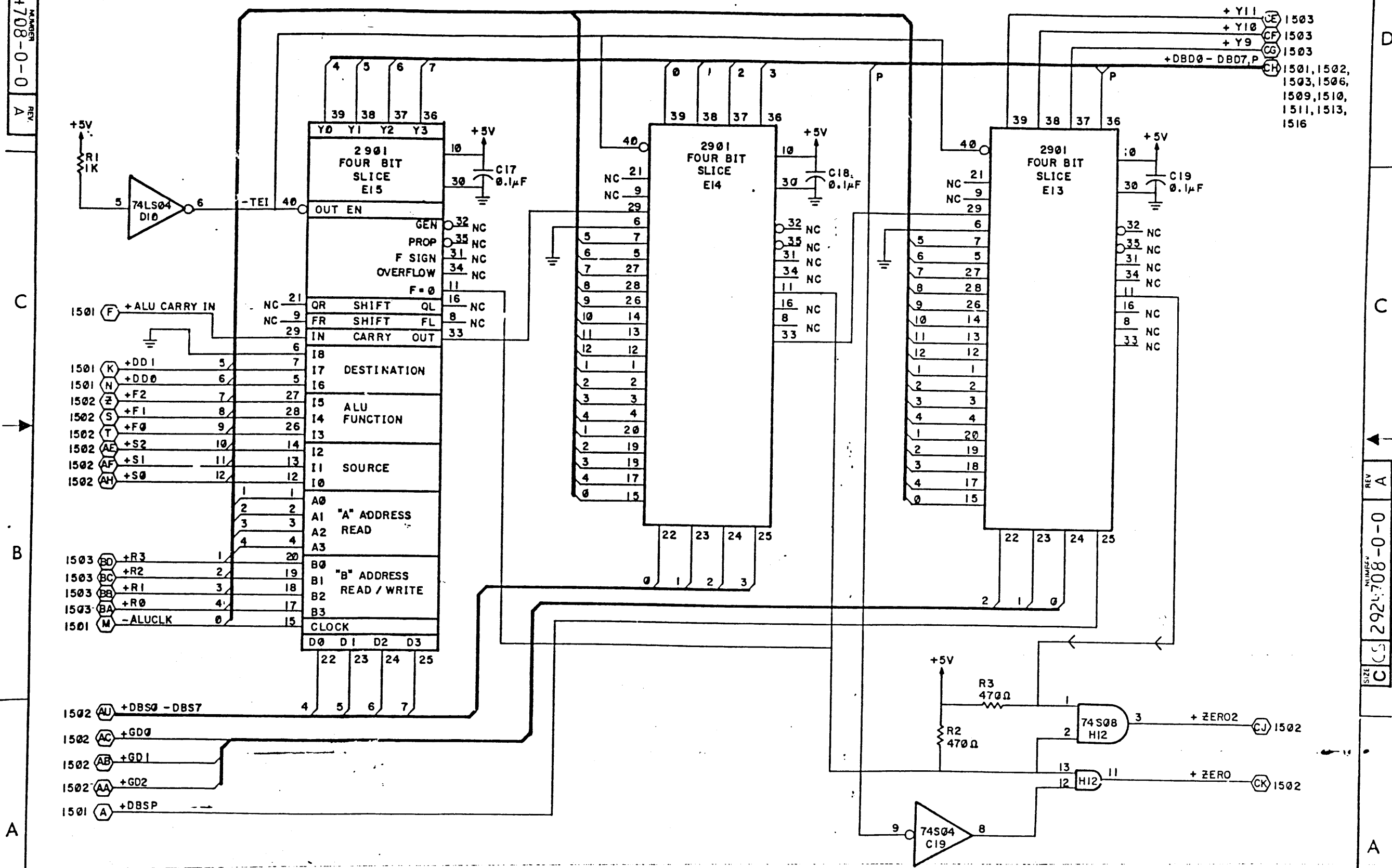


TITLE		DOCUMENT NUMBER	
FORMATTER/WRITE LOC.A3A2		CS	2924708-0-0
CROSS REF NO	1504	SHEET	4 OF 16
REV.	A	PAGE	

SIZE CODE
C CS 2924708-0-0
NUMBER
REV
A

THIS DRAWING AND SPECIFICATIONS HEREIN ARE THE PROPERTY OF DIGITAL EQUIPMENT CORPORATION AND SHALL NOT BE REPRODUCED OR COPIED OR USED IN WHOLE OR IN PART AS THE BASIS FOR THE MANUFACTURE OR SALE OF ITEMS WITHOUT WRITTEN PERMISSION.
COPYRIGHT © 1984 DIGITAL EQUIPMENT CORPORATION

SEE SHEET '0' FOR REVISIONS



C

B

A

D

C

A

SIZE CODE
C CS 2924708-0-0
NUMBER
REV
A

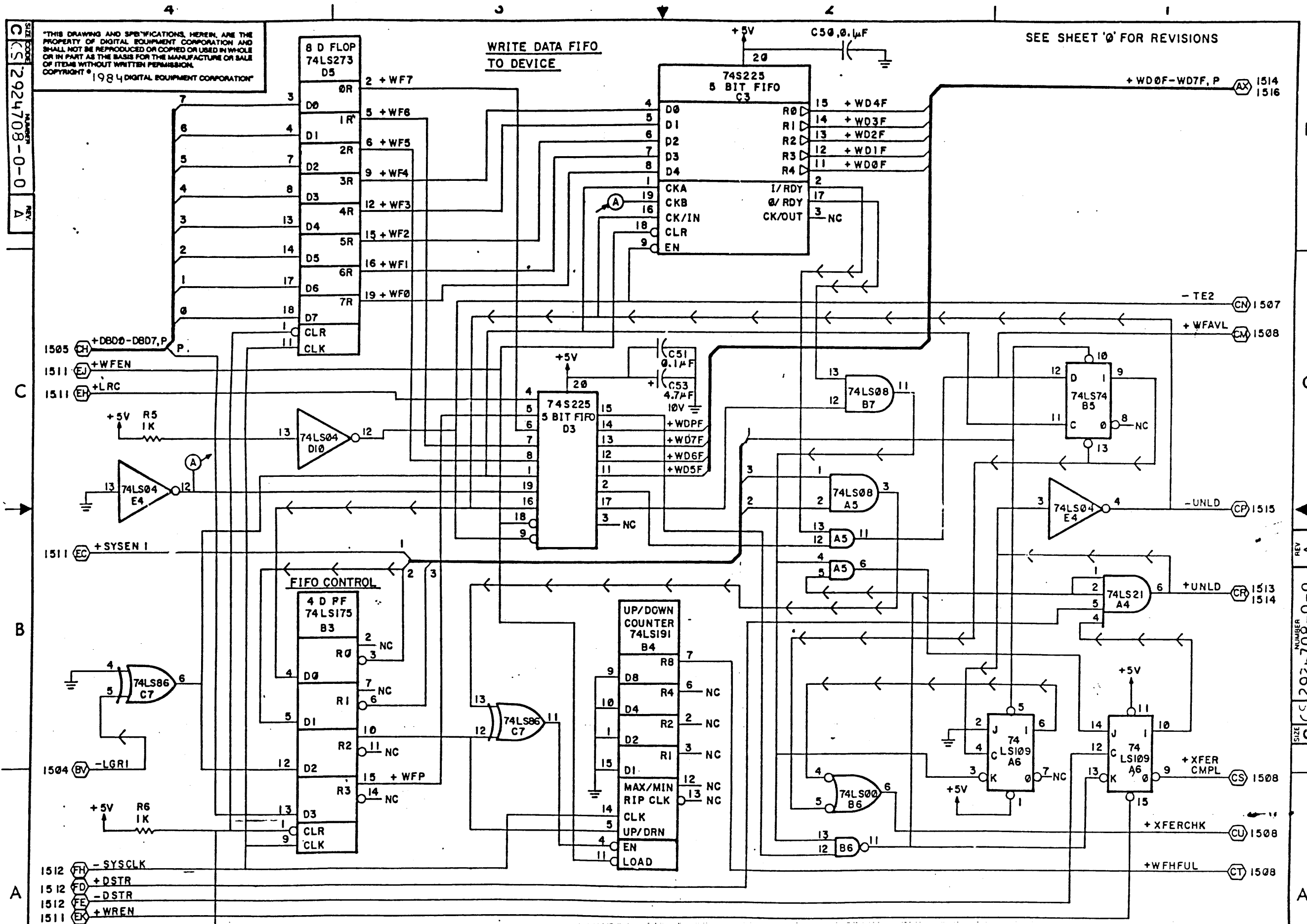
TITLE		DOCUMENT NUMBER			
FORMATTER/ WRITE		SIZE CODE	NUMBER	CD	REV.
LOC.A3A2		C CS	2924708-0-0		A
CROSS REF NO	SHEET	PAGE			
1505	5 OF 16				

DRC 111B

SIZE CODE
 CS 2924708-0-0
 REV. A

"THIS DRAWING AND SPECIFICATIONS, HEREIN, ARE THE PROPERTY OF DIGITAL EQUIPMENT CORPORATION AND SHALL NOT BE REPRODUCED OR COPIED OR USED IN WHOLE OR IN PART AS THE BASIS FOR THE MANUFACTURE OR SALE OF ITEMS WITHOUT WRITTEN PERMISSION. COPYRIGHT © 1984 DIGITAL EQUIPMENT CORPORATION"

SEE SHEET '0' FOR REVISIONS



1512 FH -SYSCLK
 1512 FD +DSTR
 1512 FE -DSTR
 1511 EX +WREN

1505 CH +DBD0-DBD7, P
 1511 EJ +WFEN
 1511 EH +LRC
 1504 BV -LGR1
 1512 FH -SYSCLK
 1512 FD +DSTR
 1512 FE -DSTR
 1511 EX +WREN

PUI 1507
 1508
 1513

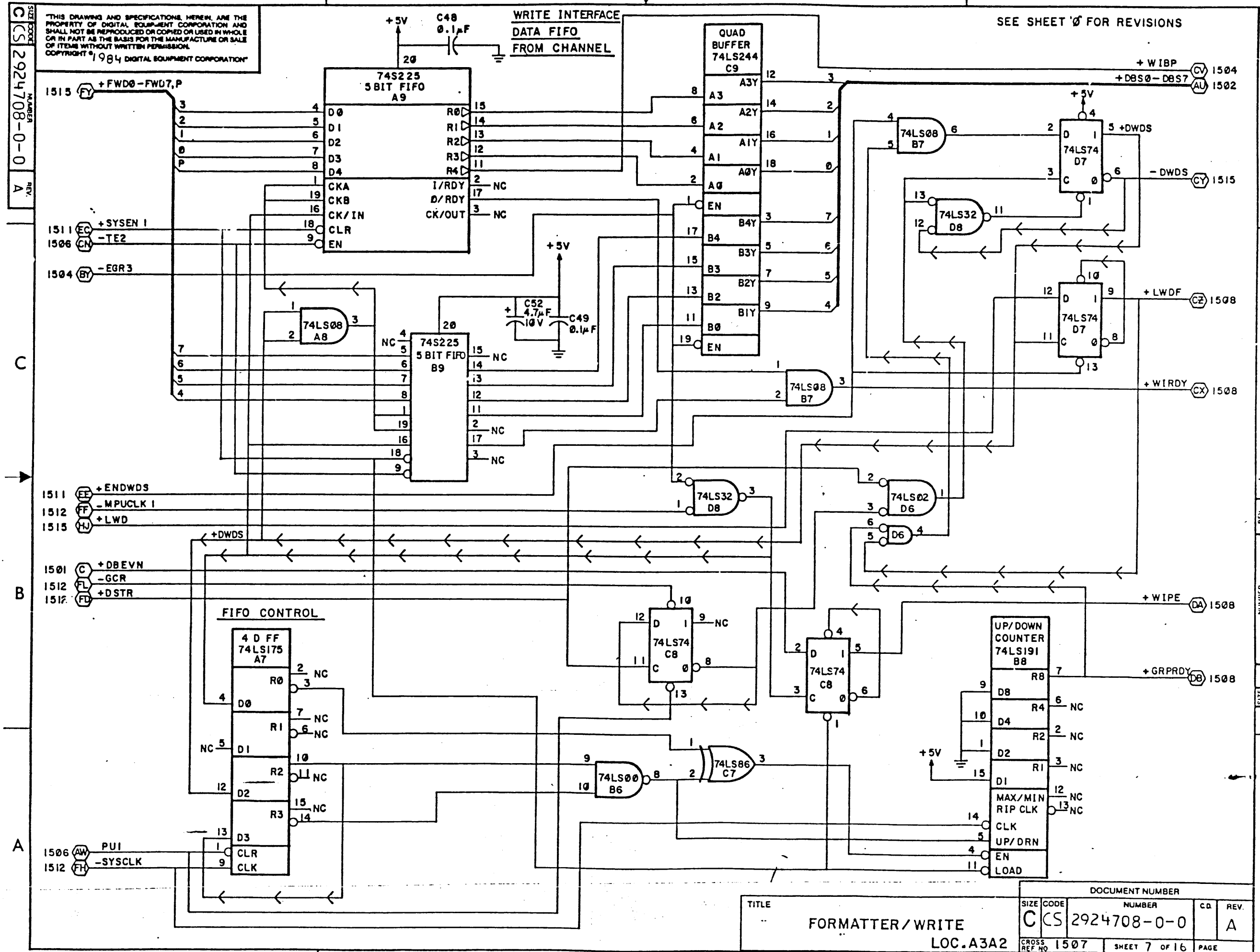
TITLE
 FORMATTER/WRITE
 LOC.A3A2

DOCUMENT NUMBER			
SIZE CODE	NUMBER	CD	REV.
CS	2924708-0-0		A
CROSS REF NO	1506	SHEET	6 OF 16
PAGE			

SIZE CODE
 CS 2924708-0-0
 REV. A

THIS DRAWING AND SPECIFICATIONS HEREIN ARE THE PROPERTY OF DIGITAL EQUIPMENT CORPORATION AND SHALL NOT BE REPRODUCED OR COPIED OR USED IN WHOLE OR IN PART AS THE BASIS FOR THE MANUFACTURE OR SALE OF ITEMS WITHOUT WRITTEN PERMISSION.
 COPYRIGHT © 1984 DIGITAL EQUIPMENT CORPORATION

SEE SHEET 0 FOR REVISIONS



C
 B
 A

D
 C
 A

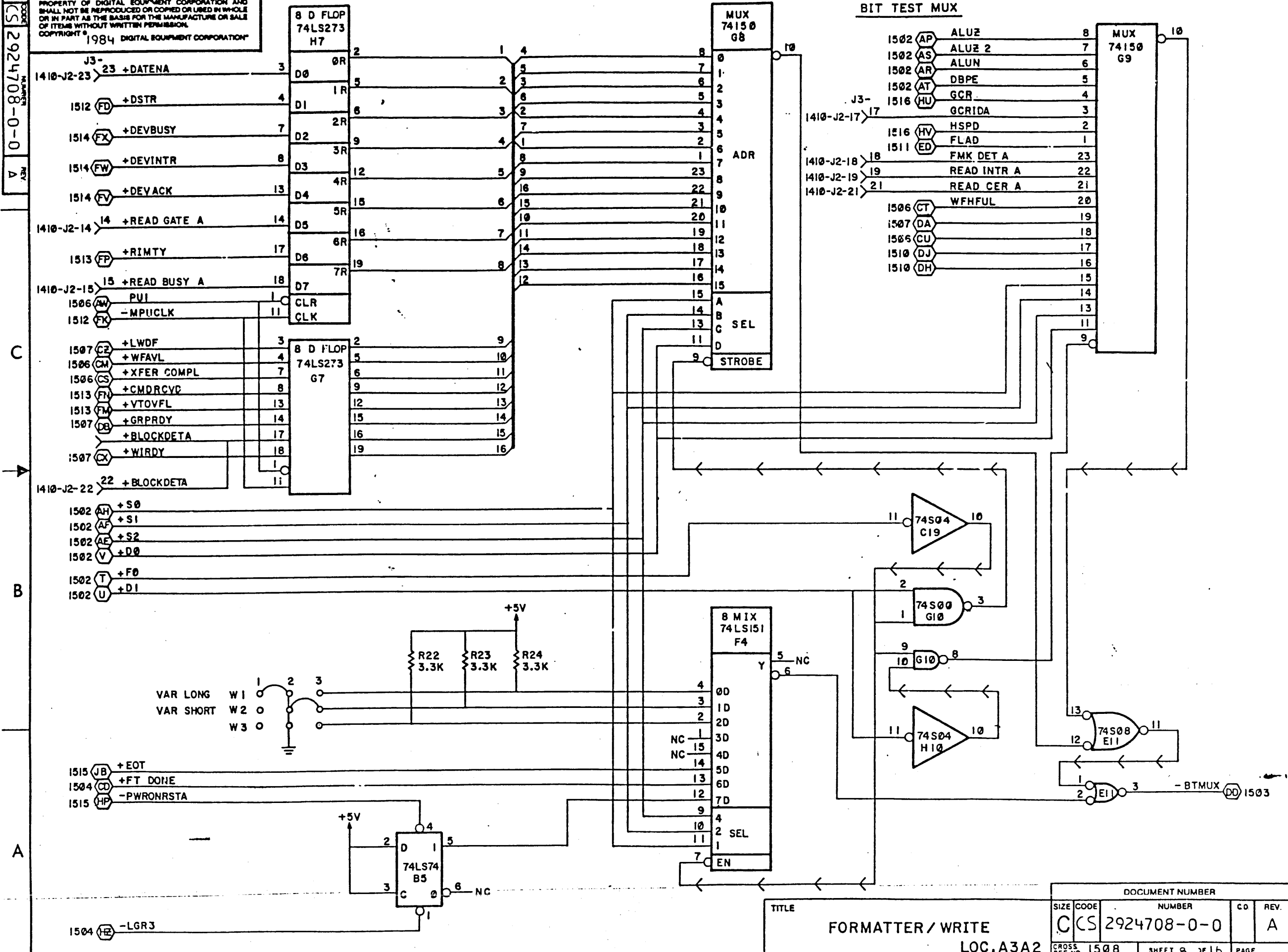
TITLE
 FORMATTER/WRITE
 LOC.A3A2

DOCUMENT NUMBER			
SIZE CODE	NUMBER	CD	REV.
CS	2924708-0-0		A
CROSS REF NO	1507	SHEET	7 OF 16
		PAGE	

THIS DRAWING AND SPECIFICATIONS HEREIN ARE THE PROPERTY OF DIGITAL EQUIPMENT CORPORATION AND SHALL NOT BE REPRODUCED OR COPIED OR USED IN WHOLE OR IN PART AS THE BASIS FOR THE MANUFACTURE OR SALE OF ITEMS WITHOUT WRITTEN PERMISSION. COPYRIGHT © 1984 DIGITAL EQUIPMENT CORPORATION

SIZE CODE
CS 2924708-0-0
REV A

SEE SHEET '0' FOR REVISIONS



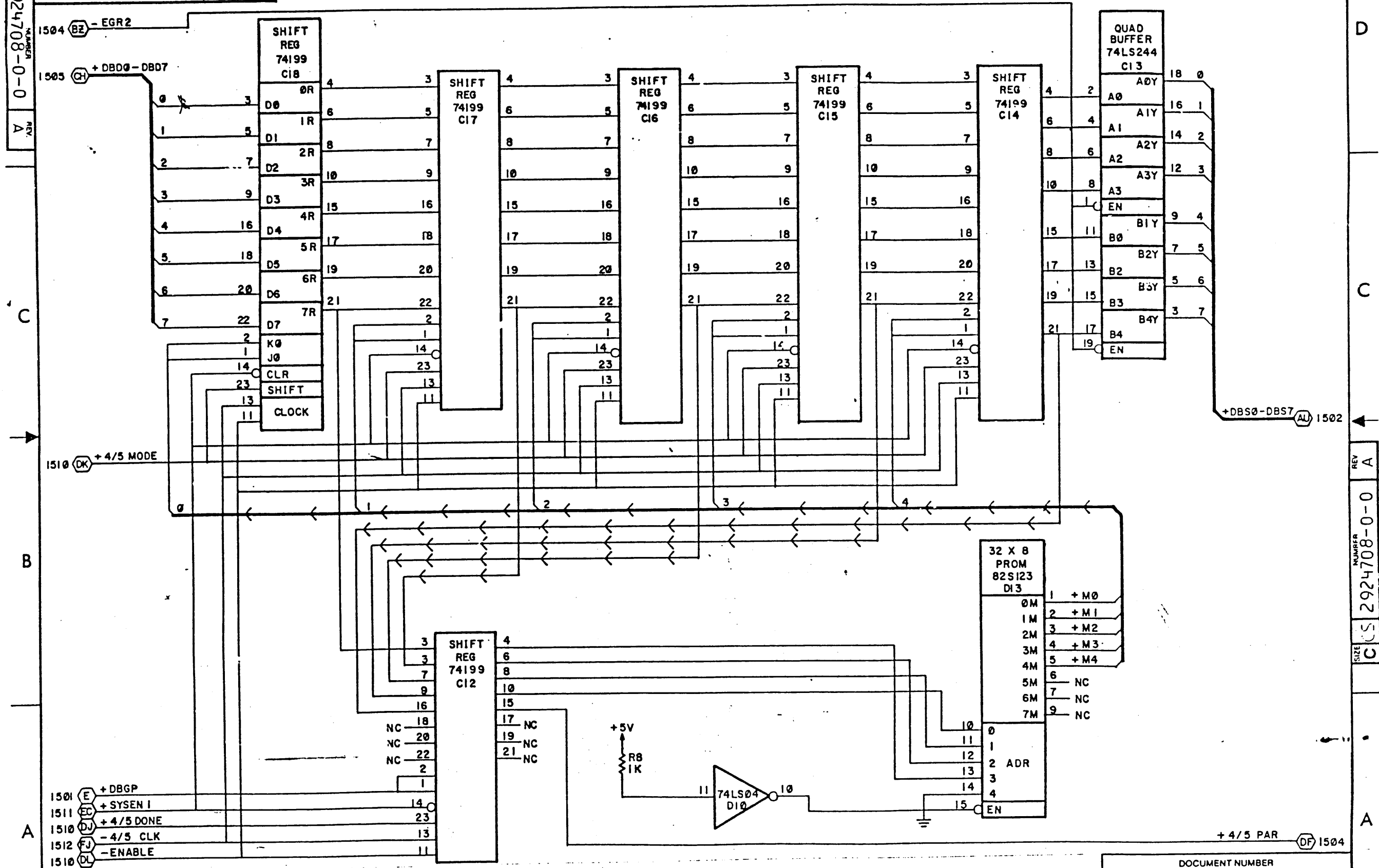
DRC 1118

TITLE		DOCUMENT NUMBER	
FORMATTER/WRITE		CS 2924708-0-0	
LOC. A3A2		CD	REV.
CROSS REF. NO.	SHEET	JF	PAGE
1508	9	16	

D
C
A
REV A
NUMBER CS 2924708-0-0
SIZE

THIS DRAWING AND SPECIFICATIONS HEREIN ARE THE PROPERTY OF DIGITAL EQUIPMENT CORPORATION AND SHALL NOT BE REPRODUCED OR COPIED OR USED IN WHOLE OR IN PART AS THE BASIS FOR THE MANUFACTURE OR SALE OF ITEMS WITHOUT WRITTEN PERMISSION. COPYRIGHT © 1984 DIGITAL EQUIPMENT CORPORATION

SEE SHEET '0' FOR REVISIONS



SIZE CODE
CS 2924708-0-0
REV. A

1504 (BZ) - EGR2
1505 (CH) + DBD0 - DBD7
1510 (DK) + 4/5 MODE
1501 (E) + DBGP
1511 (EC) + SYSEN I
1510 (DJ) + 4/5 DONE
1512 (FJ) - 4/5 CLK
1510 (DL) - ENABLE

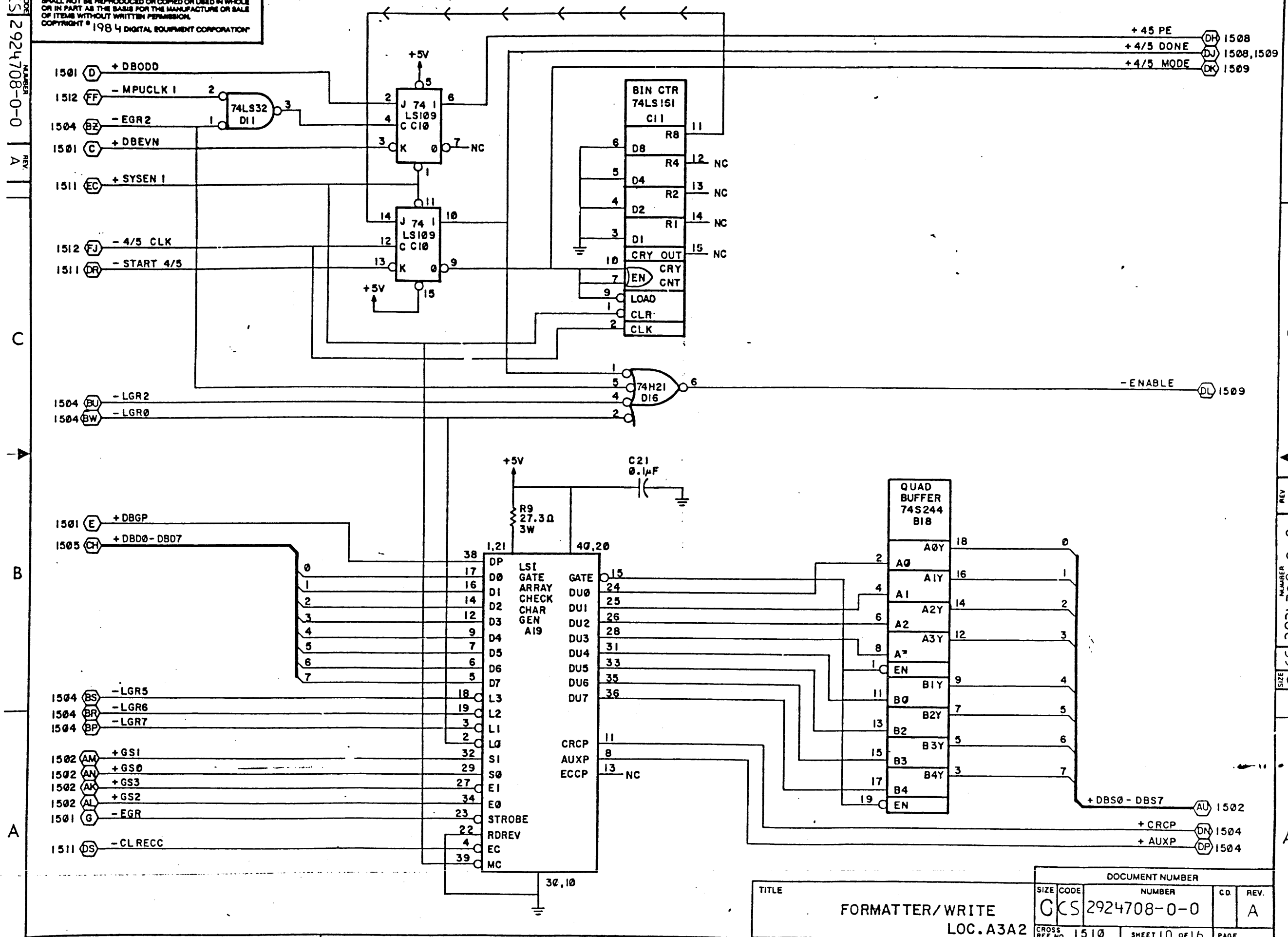
D
C
B
A
REV. A
NUMBER CS 2924708-0-0
SIZE C
REV. A
+ 4/5 PAR (DF) 1504

TITLE		DOCUMENT NUMBER		CD	REV.
FORMATTER/WRITE LOC.A3A2		CS	2924708-0-0		A
CROSS REF NO	1509	SHEET	9 OF 16	PAGE	

SIZE CODE
C/S 2924708-0-0
REV. A

THIS DRAWING AND SPECIFICATIONS HEREIN ARE THE PROPERTY OF DIGITAL EQUIPMENT CORPORATION AND SHALL NOT BE REPRODUCED OR COPIED IN WHOLE OR IN PART AS THE BASIS FOR THE MANUFACTURE OR SALE OF ITEMS WITHOUT WRITTEN PERMISSION.
COPYRIGHT © 1984 DIGITAL EQUIPMENT CORPORATION

SEE SHEET 'Ø' FOR REVISIONS



C
B
A

D
C
A

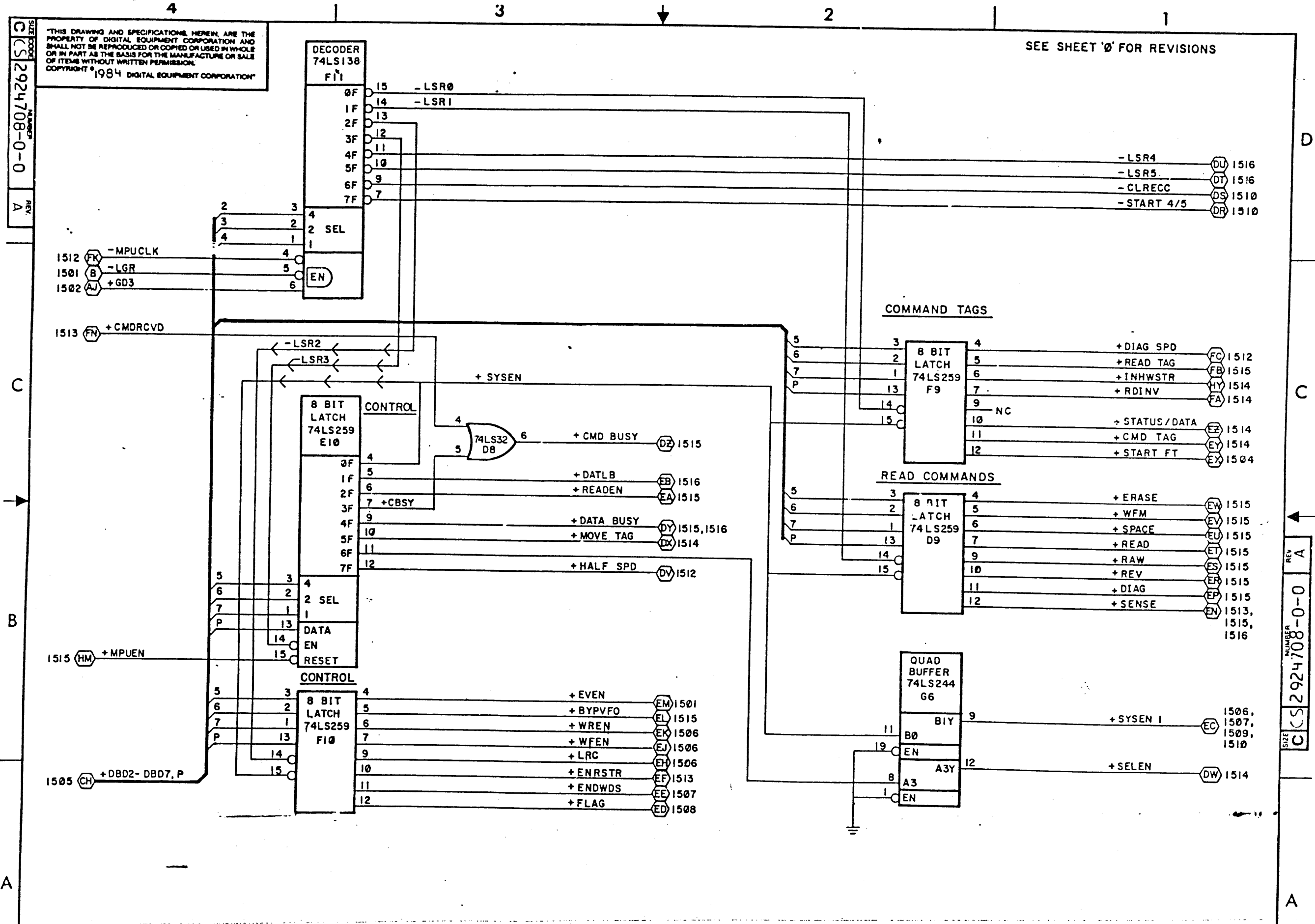
REV. A
NUMBER 2924708-0-0
SIZE C/S

TITLE		DOCUMENT NUMBER	
FORMATTER/WRITE LOC. A3A2		C/S 2924708-0-0	CD. REV. A
CROSS REF. NO. 151Ø	SHEET 10 OF 16	PAGE	

SIZE CODE
CS 2924708-0-0
REV. A

THIS DRAWING AND SPECIFICATIONS HEREIN ARE THE PROPERTY OF DIGITAL EQUIPMENT CORPORATION AND SHALL NOT BE REPRODUCED OR COPIED OR USED IN WHOLE OR IN PART AS THE BASIS FOR THE MANUFACTURE OR SALE OF ITEMS WITHOUT WRITTEN PERMISSION.
COPYRIGHT © 1984 DIGITAL EQUIPMENT CORPORATION

SEE SHEET '0' FOR REVISIONS



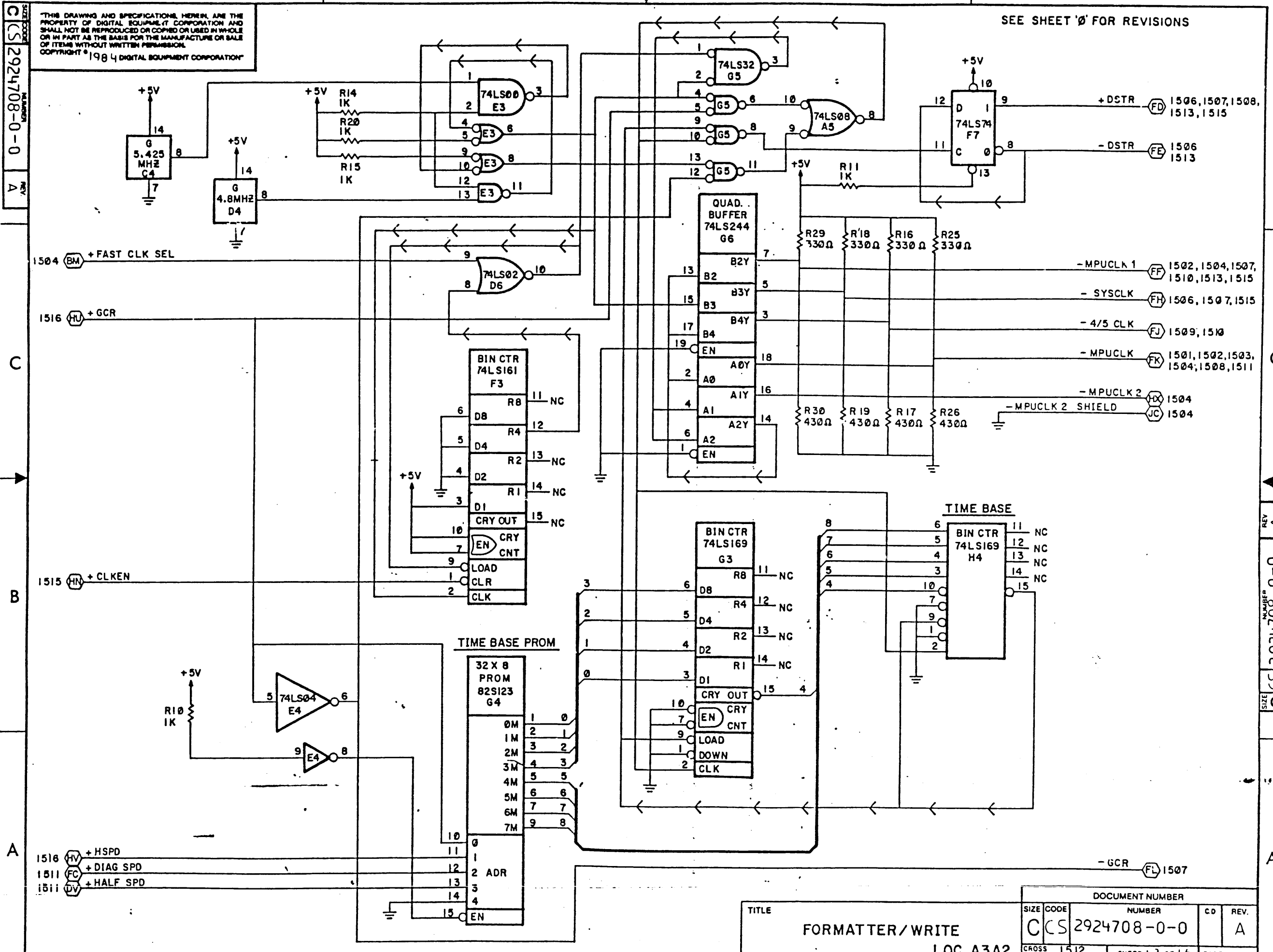
DRC 111B

TITLE		DOCUMENT NUMBER			
FORMATTER/WRITE		SIZE CODE	NUMBER	CD	REV.
LOC. A3A2		CS	2924708-0-0		A
CROSS REF. NO.	SHEET	OF	PAGE		
1511	11	16			

THIS DRAWING AND SPECIFICATIONS HEREIN ARE THE PROPERTY OF DIGITAL EQUIPMENT CORPORATION AND SHALL NOT BE REPRODUCED OR COPIED OR USED IN WHOLE OR IN PART AS THE BASIS FOR THE MANUFACTURE OR SALE OF ITEMS WITHOUT WRITTEN PERMISSION. COPYRIGHT © 1984 DIGITAL EQUIPMENT CORPORATION

CS 2924708-0-0
 SIZE NUMBER
 A

SEE SHEET '0' FOR REVISIONS



1518 HV +HSPD
 1511 FC +DIAG SPD
 1511 DV +HALF SPD

TIME BASE PROM

0M	1	0
1M	2	1
2M	3	2
3M	4	3
4M	5	5
5M	6	6
6M	7	7
7M	8	8
0	10	0
1	11	1
2 ADR	12	2
3	13	3
4	14	4
EN	15	

TIME BASE

11	NC
12	NC
13	NC
14	NC
15	NC
6	
5	
4	
3	
10	
7	
9	
1	
2	

TITLE
 FORMATTER/WRITE
 LOC.A3A2

DOCUMENT NUMBER			
SIZE	CODE	NUMBER	CD
CS	CS	2924708-0-0	A
CROSS REF. NO	1512	SHEET 12 OF 16	PAGE

REV A
 CS 2924708-0-0
 SIZE NUMBER

SIZE CODE
CS 2924708-0-0
REV A

C

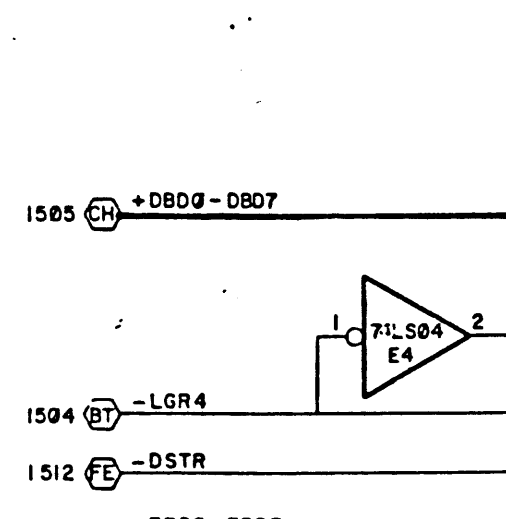
B

A

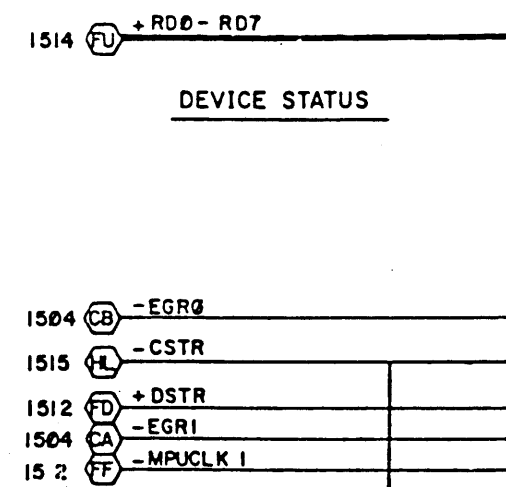
THIS DRAWING AND SPECIFICATIONS HEREIN ARE THE PROPERTY OF DIGITAL EQUIPMENT CORPORATION AND SHALL NOT BE REPRODUCED OR COPIED OR USED IN WHOLE OR IN PART AS THE BASIS FOR THE MANUFACTURE OR SALE OF ITEMS WITHOUT WRITTEN PERMISSION.
COPYRIGHT © 1984 DIGITAL EQUIPMENT CORPORATION

SEE SHEET '0' FOR REVISIONS

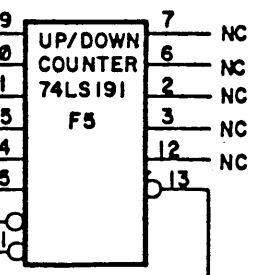
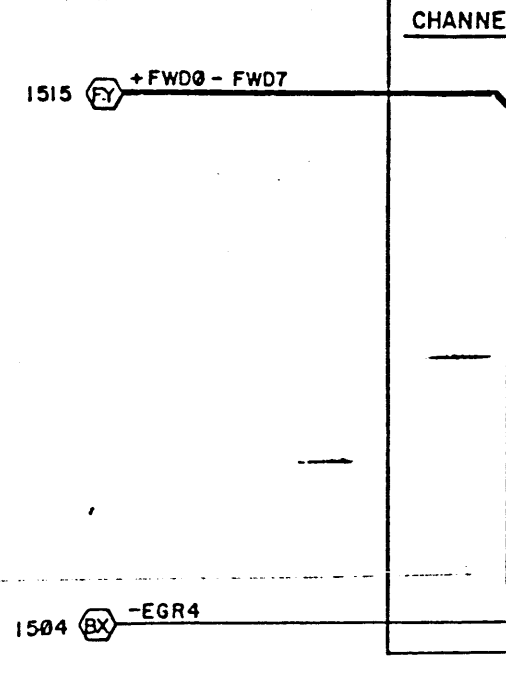
VARIABLE TIMER



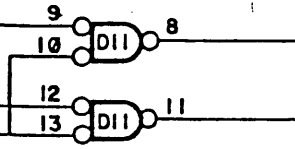
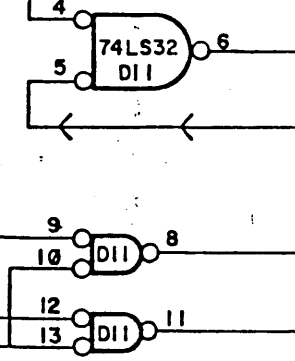
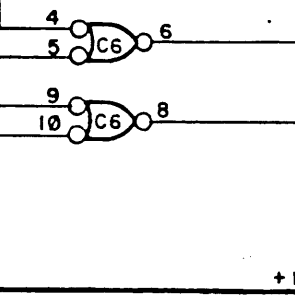
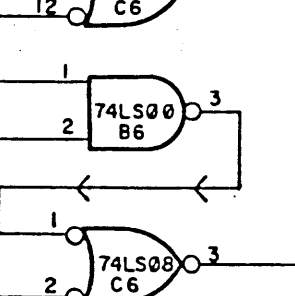
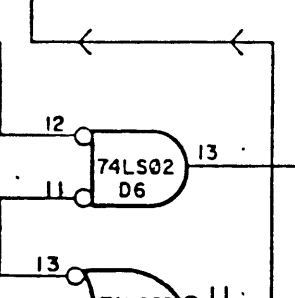
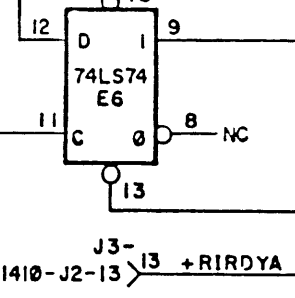
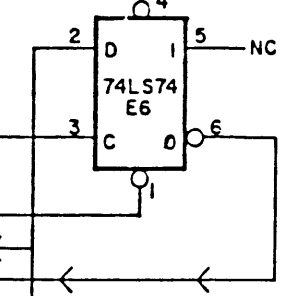
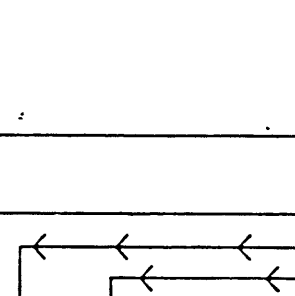
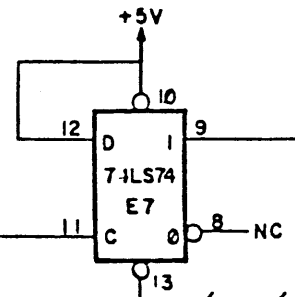
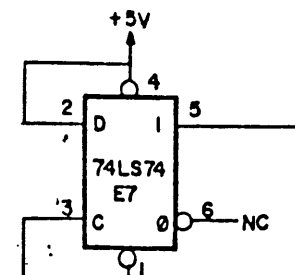
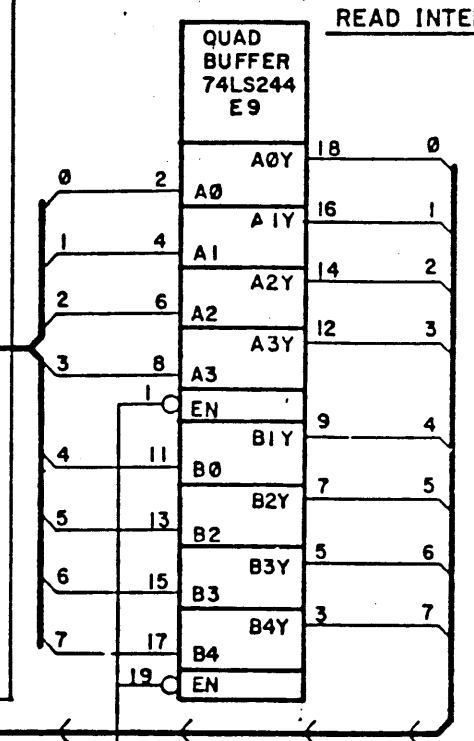
DEVICE STATUS



CHANNEL COMMAND



READ INTERFACE DATA



TITLE
FORMATTER/WRITE
LOC. A3A2

DOCUMENT NUMBER			
SIZE CODE	NUMBER	CD	REV.
CS	2924708-0-0		A
CROSS REF. NO.	SHEET	PAGE	
1513	13 OF 16		

D

C

A

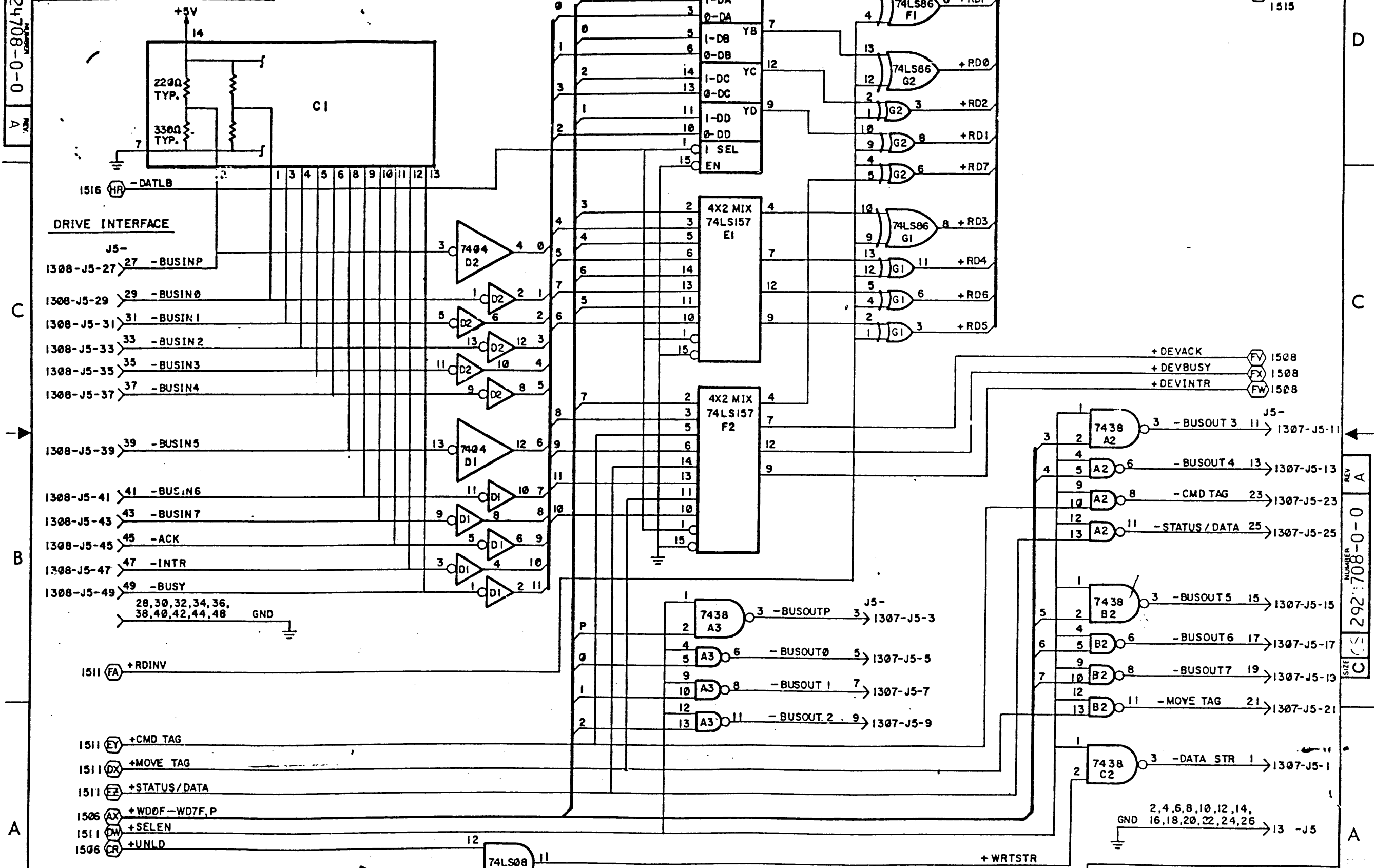
A

REV A
NUMBER
CS 2924708-0-0
SIZE

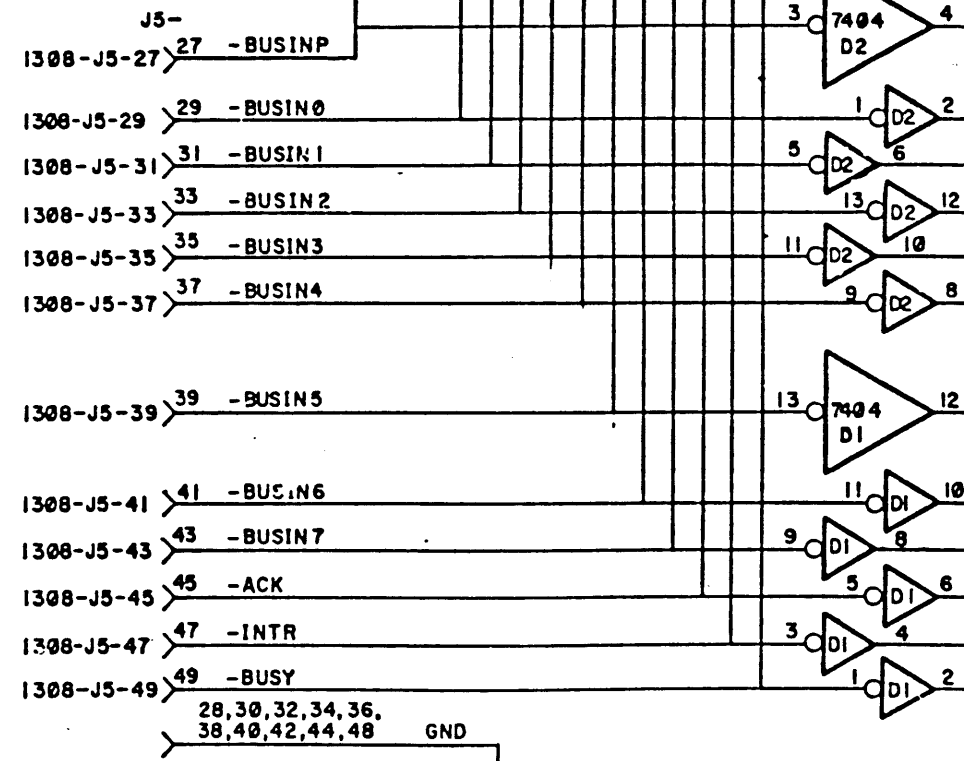
CS 2924708-0-0
REV. A

THIS DRAWING AND SPECIFICATIONS HEREIN ARE THE PROPERTY OF DIGITAL EQUIPMENT CORPORATION AND SHALL NOT BE REPRODUCED OR COPIED OR USED IN WHOLE OR IN PART AS THE BASIS FOR THE MANUFACTURE OR SALE OF ITEMS WITHOUT WRITTEN PERMISSION. COPYRIGHT © 1984 DIGITAL EQUIPMENT CORPORATION

SEE SHEET '0' FOR REVISIONS



DRIVE INTERFACE



- 1511 FA +RDINV
- 1511 EY +CMD TAG
- 1511 DX +MOVE TAG
- 1511 EZ +STATUS/DATA
- 1506 AX +WDF-WDF,P
- 1511 DW +SELEN
- 1506 CR +UNLD

TITLE
 FORMATTER/ WRITE
 LOC. A3A2

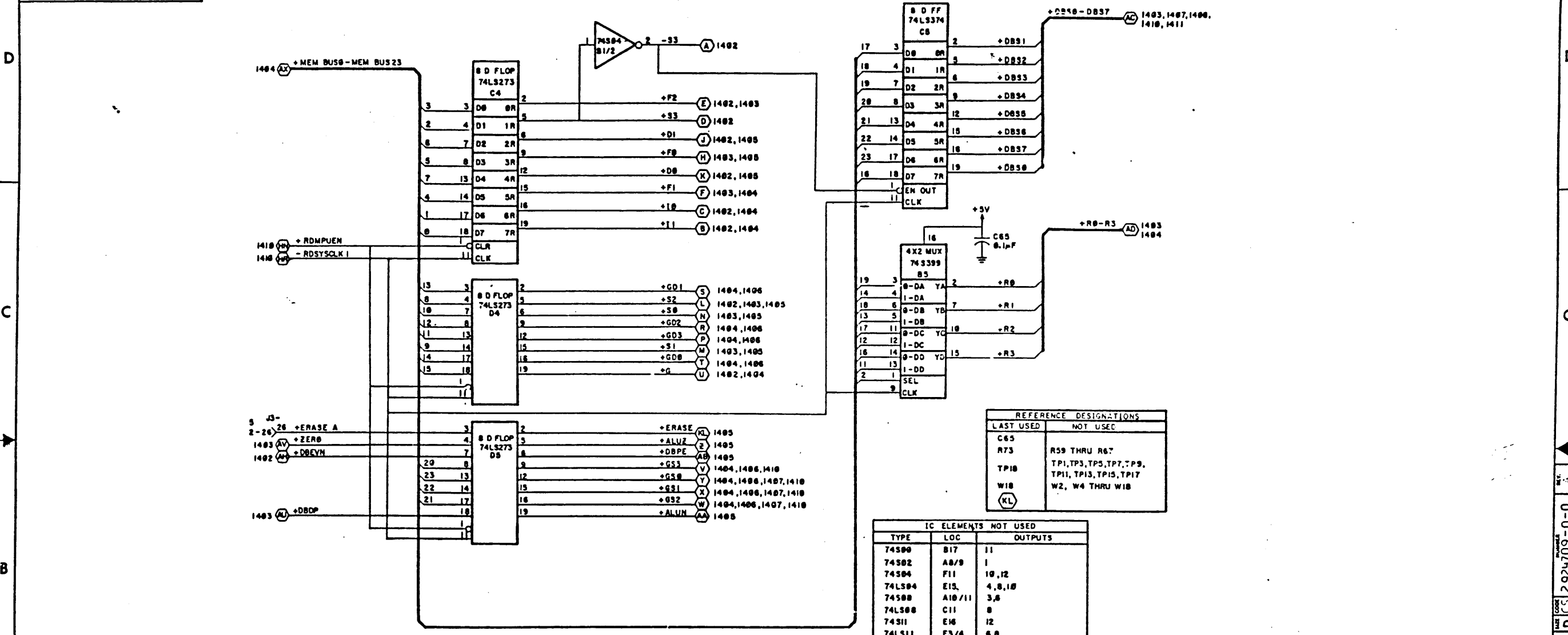
DOCUMENT NUMBER			
SIZE	CODE	NUMBER	REV
CS	2924708-0-0		A
CROSS REF NO	1514	SHEET 14 OF 16	PAGE

REV. A
 NUMBER 2924708-0-0
 SIZE CS

THIS DRAWING AND SPECIFICATIONS HEREIN ARE THE PROPERTY OF DIGITAL EQUIPMENT CORPORATION AND SHALL NOT BE REPRODUCED OR COPIED OR USED IN WHOLE OR IN PART AS THE BASIS FOR THE MANUFACTURE OR SALE OF ITEMS WITHOUT WRITTEN PERMISSION. COPYRIGHT © 1984 DIGITAL EQUIPMENT CORPORATION

0-0-6024709-0 2

SEE SHEET 'D' FOR REVISIONS



REFERENCE DESIGNATIONS	
LAST USED	NOT USED
C65	R59 THRU R67
R73	TP1, TP3, TP5, TP7, TP9, TP11, TP13, TP15, TP17
W10	W2, W4 THRU W10
(KL)	

IC ELEMENTS NOT USED		
TYPE	LOC	OUTPUTS
74LS00	B17	11
74LS02	A8/9	1
74LS04	F11	10, 12
74LS04	E15	4, 8, 10
74LS00	A10/11	3, 6
74LS00	C11	8
74LS11	E16	12
74LS11	F3/4	6, 8
74LS06	F5/6	3, 6, 11

NOTES:
UNLESS OTHERWISE SPECIFIED,
ALL RESISTORS ARE ± 5%, 1/4W
ALL CAPACITORS ARE ± 10%, 50V.

REV.	CHG	NO.

SHEETS 2 THRU 21 ARE "C" SIZE

77022970

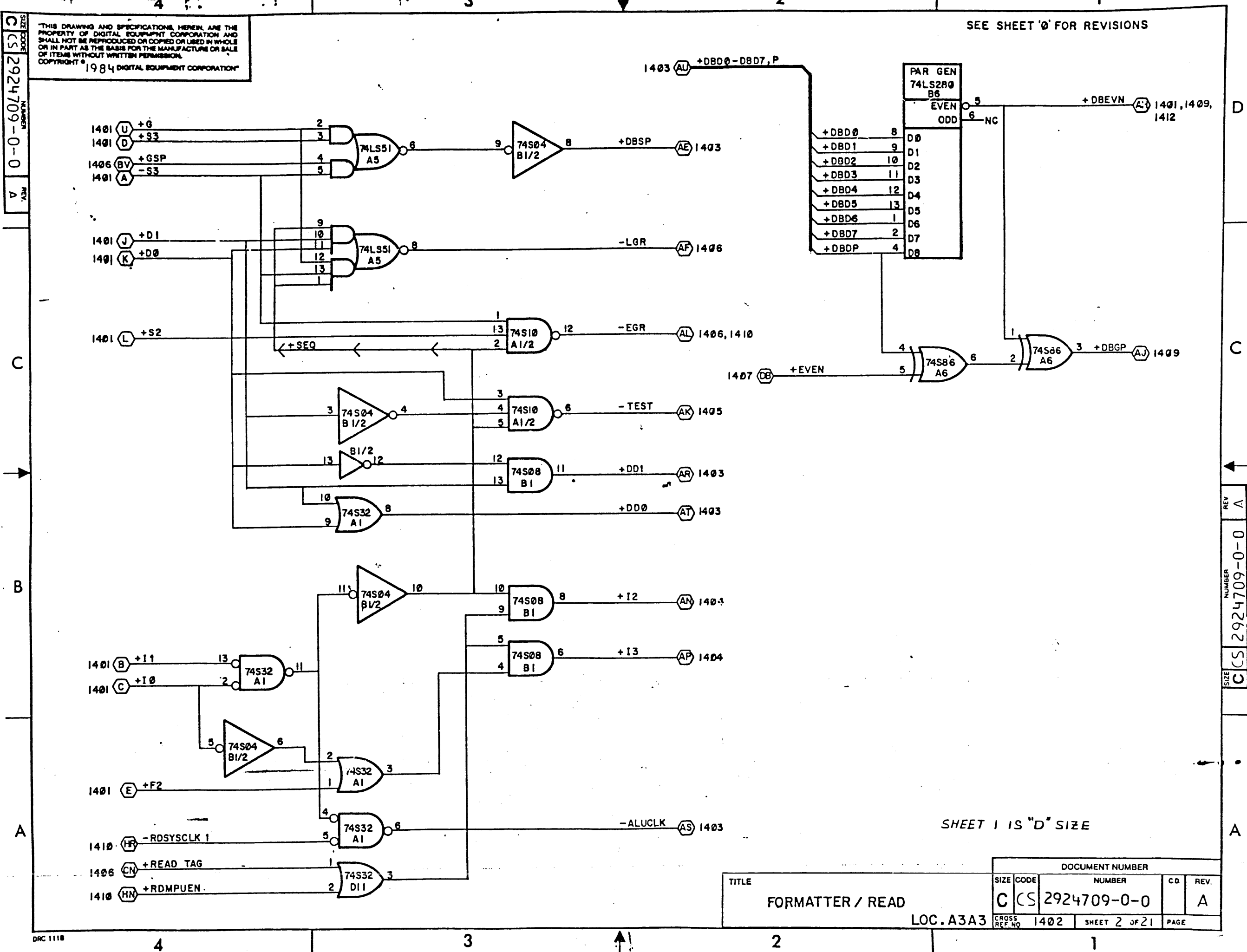
DRN		FIRST USED ON	digital
CHK'D		TITLE	
ENG.		FORMATTER / READ	
PROJ. ENG.		LOC. A 3A3	
PROD.			
NEXT HIGHER ASSY.			
SCALE	N/A	SIZE	D
SHEET	1 OF 21	CODE	CS
		NUMBER	2924709-0-0
		REV.	A

SHEET 1 OF 21

SIZE CODE
CS 2924709-0-0
NUMBER
REV
A

THIS DRAWING AND SPECIFICATIONS HEREIN ARE THE PROPERTY OF DIGITAL EQUIPMENT CORPORATION AND SHALL NOT BE REPRODUCED OR COPIED OR USED IN WHOLE OR IN PART AS THE BASIS FOR THE MANUFACTURE OR SALE OF ITEMS WITHOUT WRITTEN PERMISSION.
COPYRIGHT © 1984 DIGITAL EQUIPMENT CORPORATION

SEE SHEET '0' FOR REVISIONS



C

B

A

D

C

A

A

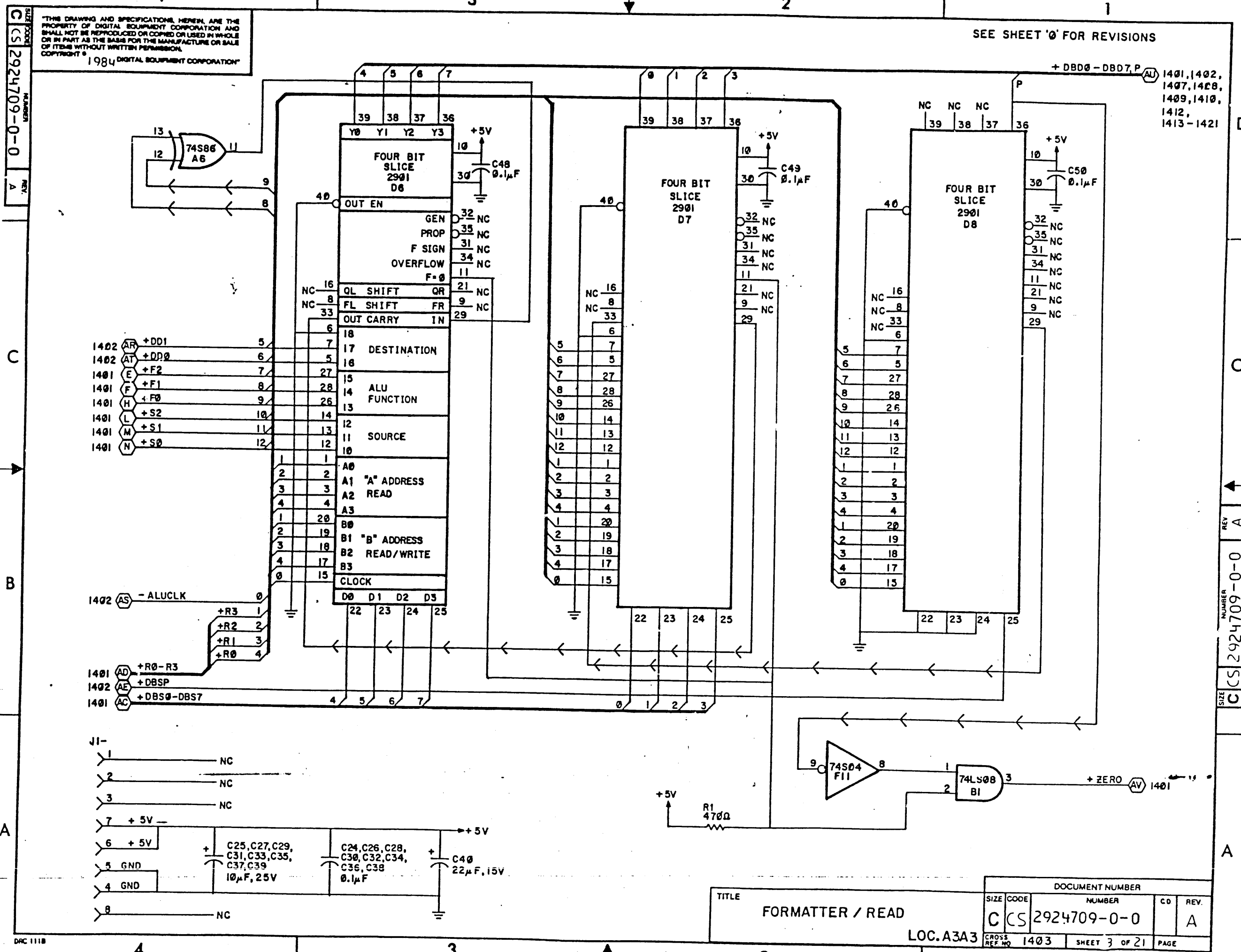
REV
A
NUMBER
CS 2924709-0-0
SIZE

SHEET 1 IS "D" SIZE

TITLE		DOCUMENT NUMBER			
FORMATTER / READ		SIZE	CODE	NUMBER	CD
LOC. A3A3		C	CS	2924709-0-0	A
CROSS REF. NO.	1402	SHEET	2	OF	21
PAGE					

THIS DRAWING AND SPECIFICATIONS HEREIN ARE THE PROPERTY OF DIGITAL EQUIPMENT CORPORATION AND SHALL NOT BE REPRODUCED OR COPIED OR USED IN WHOLE OR IN PART AS THE BASIS FOR THE MANUFACTURE OR SALE OF ITEMS WITHOUT WRITTEN PERMISSION. COPYRIGHT © 1984 DIGITAL EQUIPMENT CORPORATION

SEE SHEET '0' FOR REVISIONS



SIZE CODE
 CS 2924709-0-0
 NUMBER
 REV. A

C

B

A

1402	AR	+DD1	5	7	18
1402	AT	+DD0	6	5	16
1401	E	+F2	7	27	15
1401	F	+F1	8	28	14
1401	H	+F0	9	26	13
1401	L	+S2	10	14	12
1401	M	+S1	11	13	11
1401	N	+S0	12	12	10

1402	AS	-ALUCLK	0	15	0
		+R3	1		22
		+R2	2		23
		+R1	3		24
		+R0	4		25
1401	AD	+R0-R3			
1402	AE	+DBSP			
1401	AC	+DBS0-DBS7	4	5	6
			7		

J1-	1	NC
	2	NC
	3	NC
	7	+5V
	6	+5V
	5	GND
	4	GND
	8	NC

TITLE		DOCUMENT NUMBER				
FORMATTER / READ		SIZE	CODE	NUMBER	CD	REV.
LOC.A3A3		C	CS	2924709-0-0		A
CROSS REF. NO	1403	SHEET 3 OF 21		PAGE		

DRC 1118

4

3

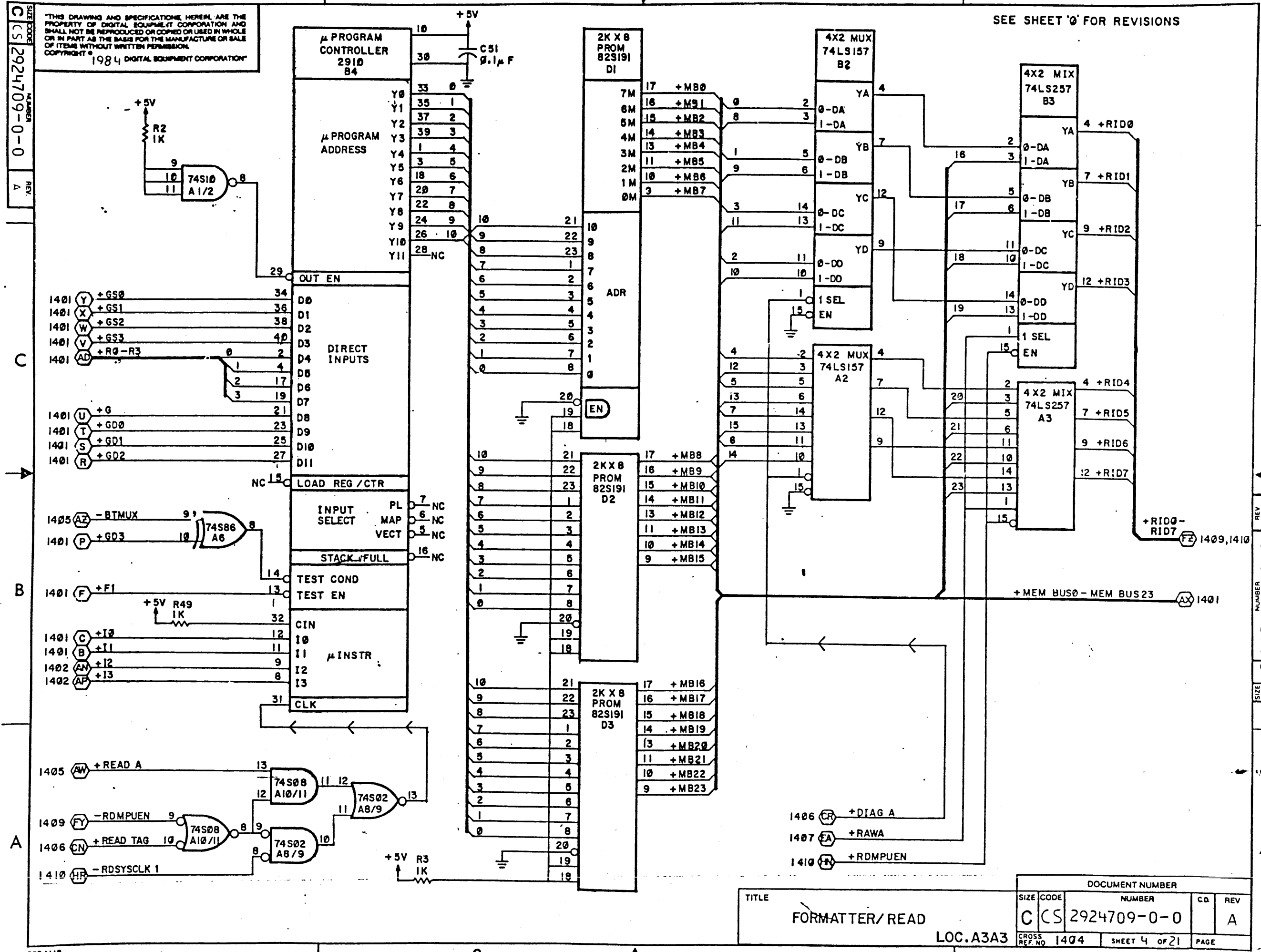
2

REV. A
 NUMBER
 CS 2924709-0-0
 SIZE

A

THIS DRAWING AND SPECIFICATIONS HEREIN ARE THE PROPERTY OF DIGITAL EQUIPMENT CORPORATION AND SHALL NOT BE REPRODUCED OR COPIED OR USED IN WHOLE OR IN PART AS THE BASIS FOR THE MANUFACTURE OR SALE OF ITEMS WITHOUT WRITTEN PERMISSION. COPYRIGHT © 1984 DIGITAL EQUIPMENT CORPORATION

SEE SHEET '0' FOR REVISIONS



SIZE CODE
C CS 2924709-0-0
REV. A

C

B

A

D

C

A

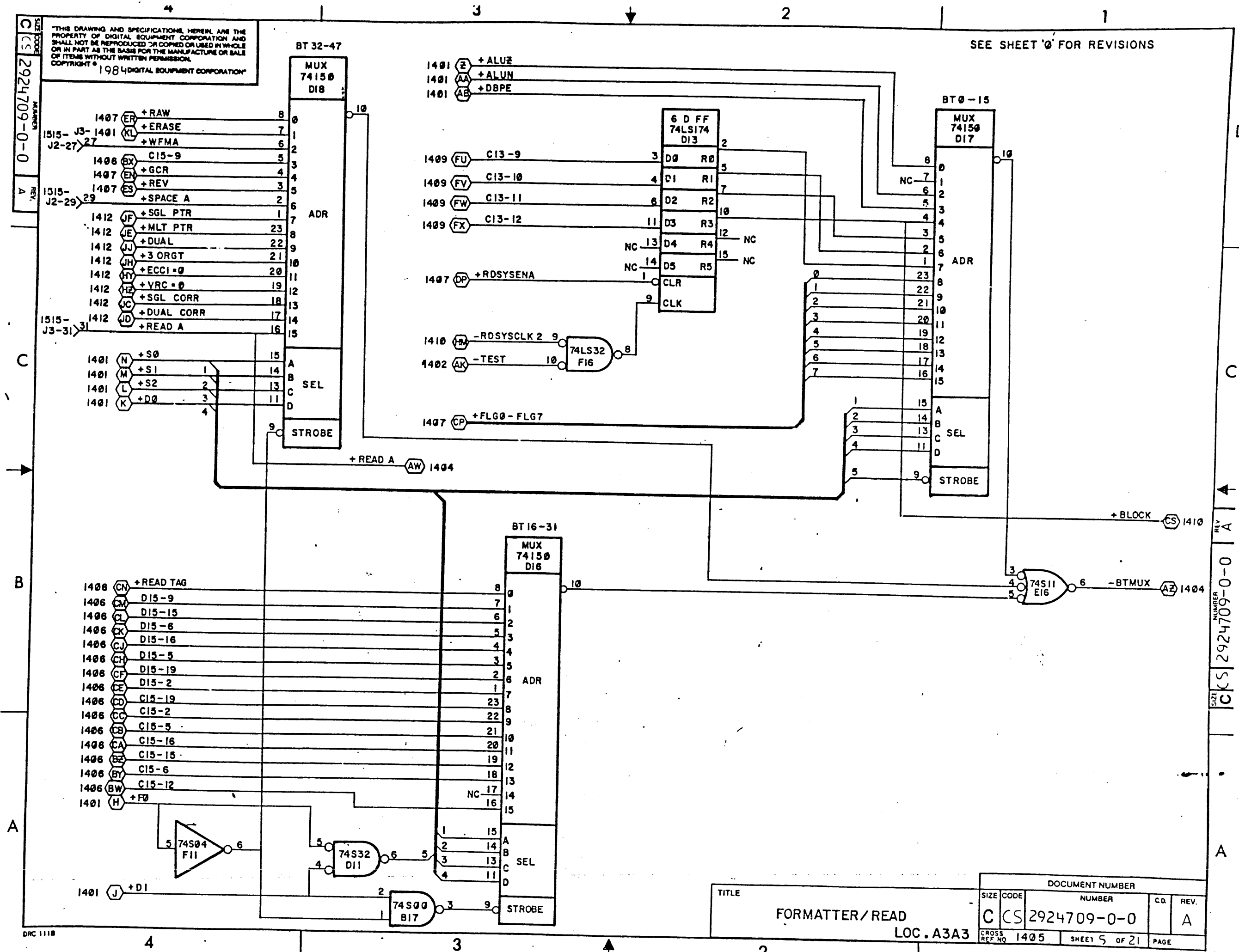
A

REV. A
NUMBER
C CS 2924709-0-0
SIZE

TITLE		DOCUMENT NUMBER			
FORMATTER/ READ		SIZE CODE	NUMBER	CD	REV
LOC.A3A3		C CS	2924709-0-0		A
CROSS REF. NO	1404	SHEET 4 OF 21		PAGE	

THIS DRAWING AND SPECIFICATIONS HEREIN ARE THE PROPERTY OF DIGITAL EQUIPMENT CORPORATION AND SHALL NOT BE REPRODUCED OR COPIED OR USED IN WHOLE OR IN PART AS THE BASIS FOR THE MANUFACTURE OR SALE OF ITEMS WITHOUT WRITTEN PERMISSION.
 COPYRIGHT © 1984 DIGITAL EQUIPMENT CORPORATION

SEE SHEET '0' FOR REVISIONS



SIZE CODE
 CS 2924709-0-0
 NUMBER
 REV
 A

C

B

A

D

C

A

A

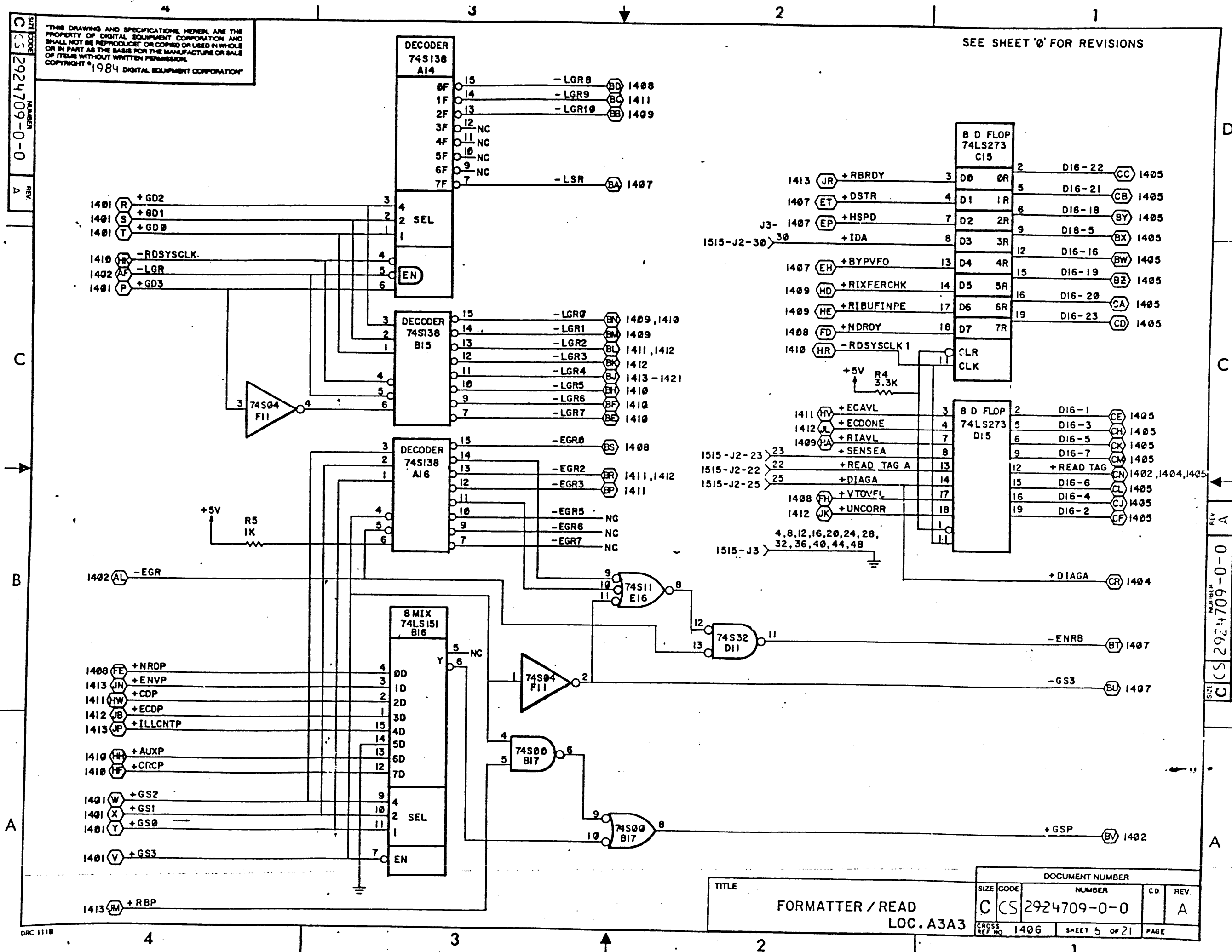
REV A
 NUMBER CS 2924709-0-0
 SIZE

TITLE		DOCUMENT NUMBER			
FORMATTER/READ		SIZE	CODE	NUMBER	C.D.
LOC. A3A3		C	CS	2924709-0-0	A
CROSS REF NO	1405	SHEET	5	OF 21	PAGE

SIZE CODE
C CS 2924709-0-0
REV A

THIS DRAWING AND SPECIFICATIONS HEREIN ARE THE PROPERTY OF DIGITAL EQUIPMENT CORPORATION AND SHALL NOT BE REPRODUCED, COPIED OR USED IN WHOLE OR IN PART AS THE BASIS FOR THE MANUFACTURE OR SALE OF ITEMS WITHOUT WRITTEN PERMISSION.
COPYRIGHT © 1984 DIGITAL EQUIPMENT CORPORATION

SEE SHEET '0' FOR REVISIONS

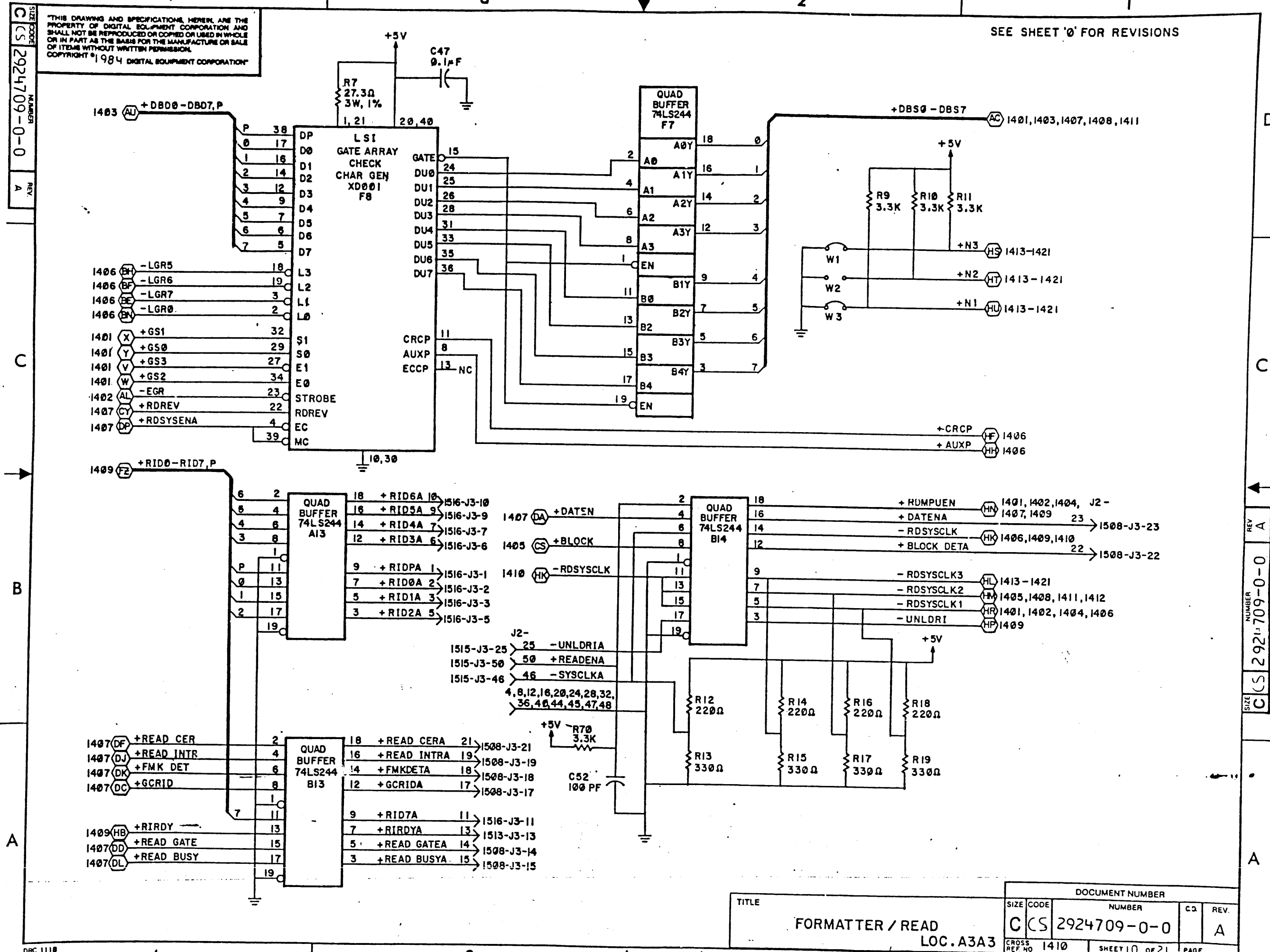


TITLE		DOCUMENT NUMBER			
FORMATTER / READ LOC. A3A3		SIZE	CODE	NUMBER	CD
		C	CS	2924709-0-0	
		CROSS REF NO	1406	SHEET 5 OF 21	PAGE

DRC 1118

THIS DRAWING AND SPECIFICATIONS HEREIN ARE THE PROPERTY OF DIGITAL EQUIPMENT CORPORATION AND SHALL NOT BE REPRODUCED OR COPIED OR USED IN WHOLE OR IN PART AS THE BASIS FOR THE MANUFACTURE OR SALE OF ITEMS WITHOUT WRITTEN PERMISSION. COPYRIGHT © 1984 DIGITAL EQUIPMENT CORPORATION

SEE SHEET '0' FOR REVISIONS



SIZE CODE
CS 2924709-0-0
REV. A

C

B

A

D

C

REV. A

SIZE CODE
CS 2924709-0-0

A

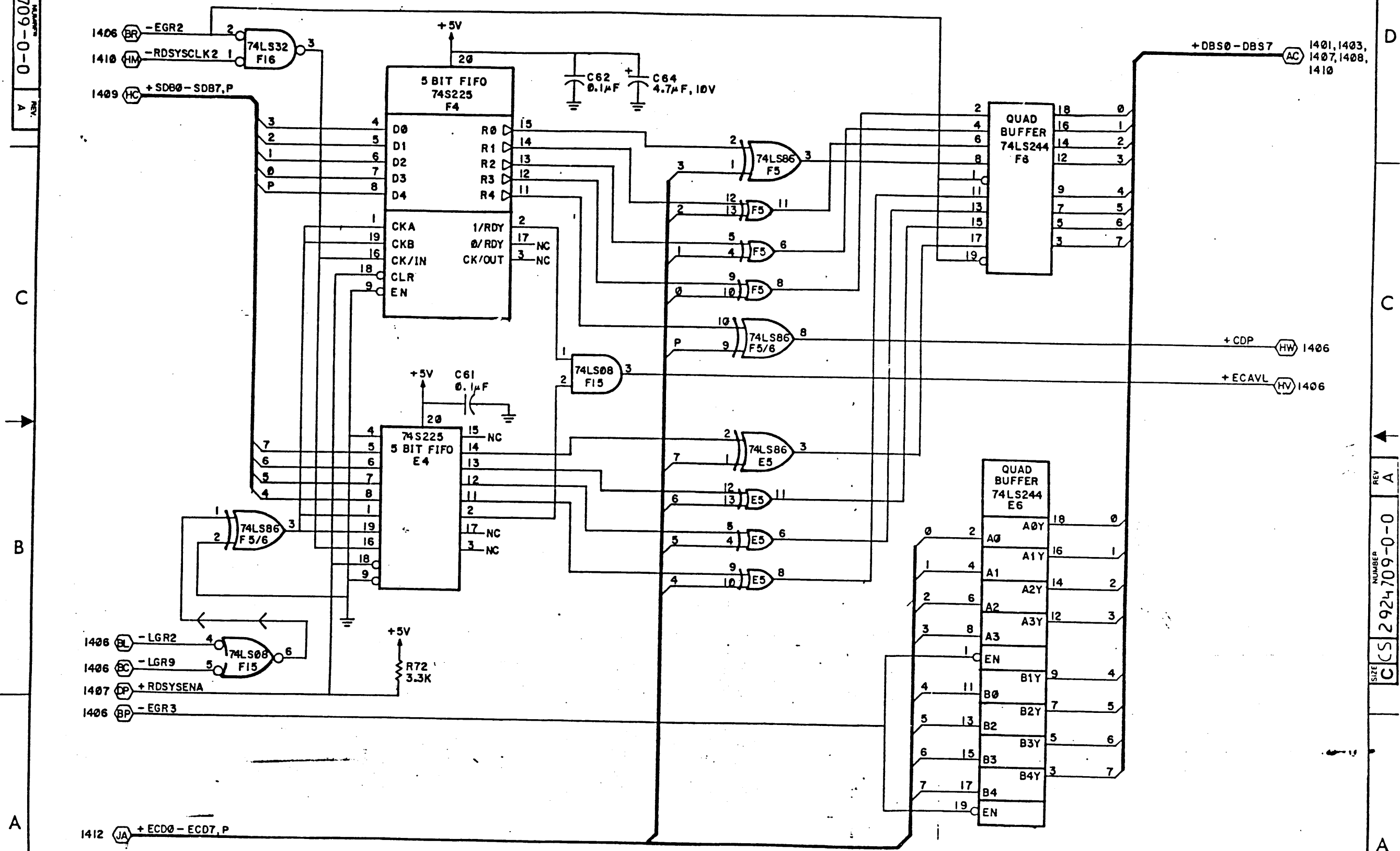
TITLE		DOCUMENT NUMBER			
FORMATTER / READ LOC. A3A3		SIZE CODE	NUMBER	C.D.	REV.
		CS	2924709-0-0		A
CROSS REF. NO.	1410	SHEET 10 OF 21		PAGE	

SIZE CODE
CS 2924709-0-0
REV. A

THIS DRAWING AND SPECIFICATIONS HEREIN ARE THE PROPERTY OF DIGITAL EQUIPMENT CORPORATION AND SHALL NOT BE REPRODUCED OR COPIED OR USED IN WHOLE OR IN PART AS THE BASIS FOR THE MANUFACTURE OR SALE OF ITEMS WITHOUT WRITTEN PERMISSION.
COPYRIGHT © 1984 DIGITAL EQUIPMENT CORPORATION

ERROR CORRECTION BUFFER

SEE SHEET '0' FOR REVISIONS



A

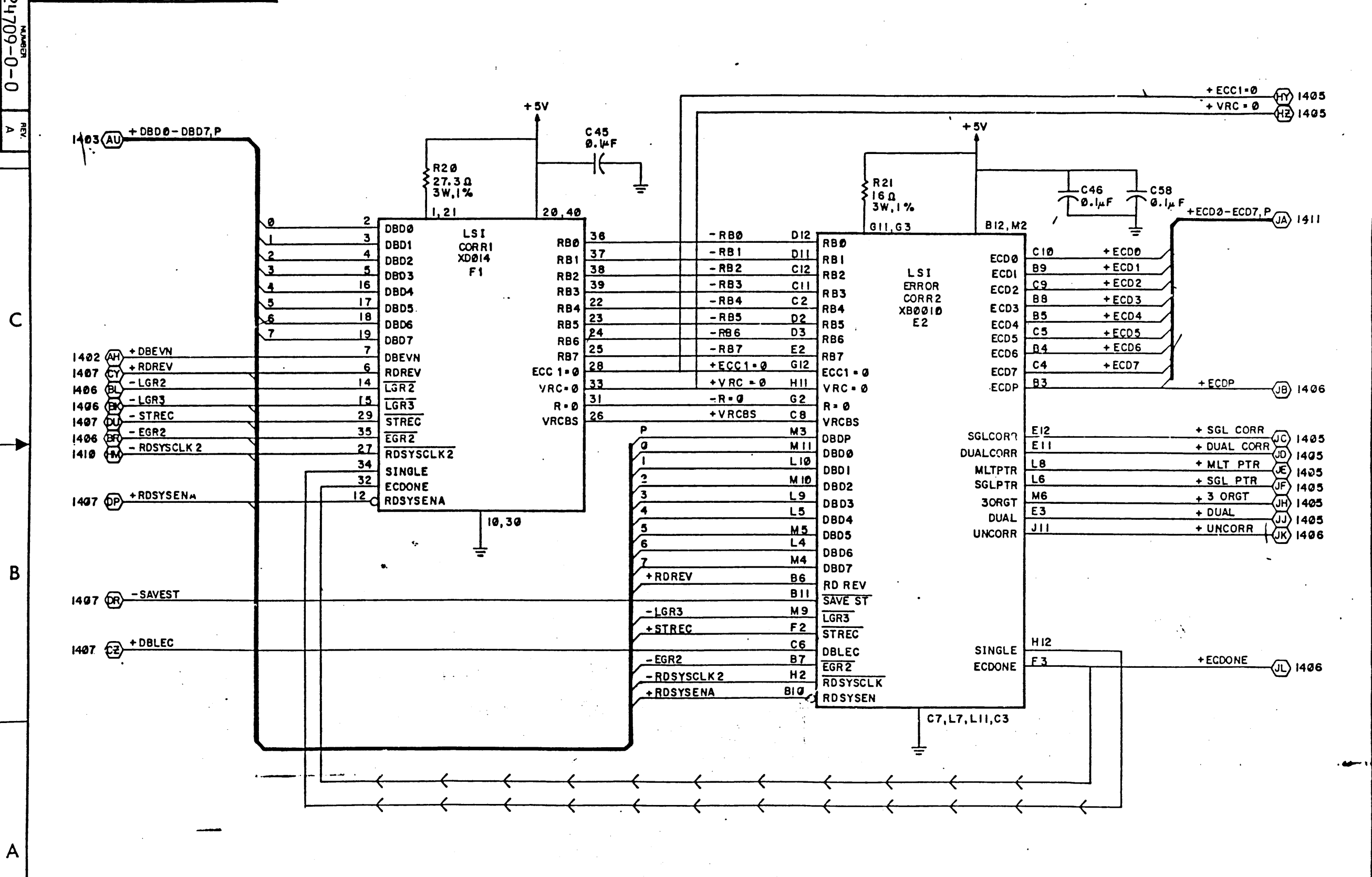
A

TITLE		DOCUMENT NUMBER			
FORMATTER/READ		SIZE	CODE	NUMBER	CD REV.
LOC.A3A3		C	CS	2924709-0-0	A
CROSS REF NO	1411	SHEET 11 OF 21		PAGE	

SIZE CODE
CS 2924709-0-0
REV A

THIS DRAWING AND SPECIFICATIONS HEREIN ARE THE PROPERTY OF DIGITAL EQUIPMENT CORPORATION AND SHALL NOT BE REPRODUCED OR COPIED OR USED IN WHOLE OR IN PART AS THE BASIS FOR THE MANUFACTURE OR SALE OF ITEMS WITHOUT WRITTEN PERMISSION.
COPYRIGHT © 1984 DIGITAL EQUIPMENT CORPORATION

SEE SHEET '0' FOR REVISIONS

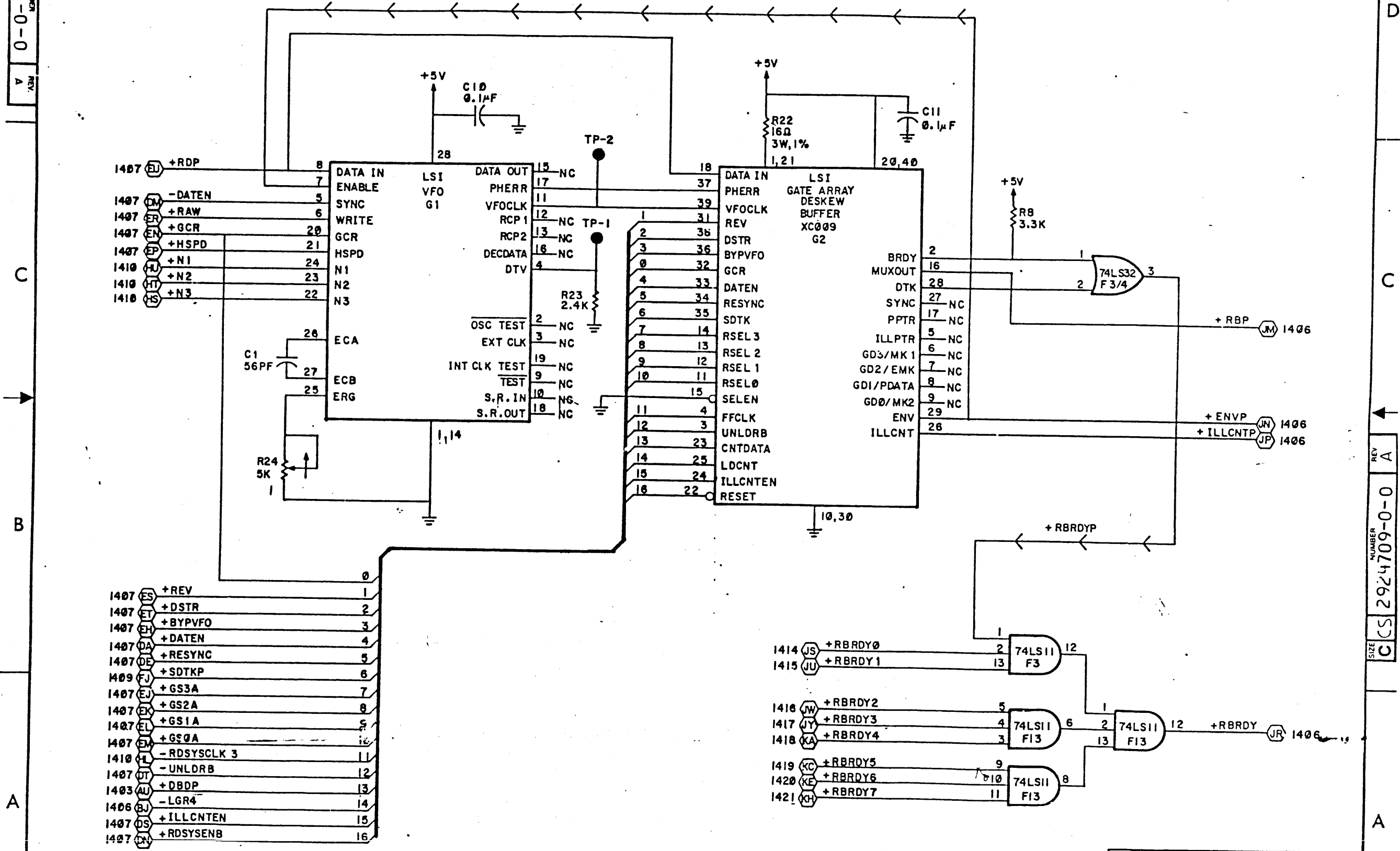


DRC 111B		TITLE		DOCUMENT NUMBER	
FORMATTER / READ		SIZE CODE	NUMBER	CD	REV.
LOC.A3A3		CS	2924709-0-0		A
CROSS REF. NO	SHEET	OF	PAGE		
1412	12	21			

SIZE CODE
C CS 2924709-0-0
REV A

THIS DRAWING AND SPECIFICATIONS HEREIN ARE THE PROPERTY OF DIGITAL EQUIPMENT CORPORATION AND SHALL NOT BE REPRODUCED OR COPIED OR USED IN WHOLE OR IN PART AS THE BASIS FOR THE MANUFACTURE OR SALE OF ITEMS WITHOUT WRITTEN PERMISSION.
COPYRIGHT © 1984 DIGITAL EQUIPMENT CORPORATION

SEE SHEET '0' FOR REVISIONS



- 1407 ES +REV 1
- 1407 ET +DSTR 2
- 1407 EH +BYPVFO 3
- 1407 EA +DATEN 4
- 1407 DE +RESYNC 5
- 1409 FJ +SDTKP 6
- 1407 EJ +GS3A 7
- 1407 EK +GS2A 8
- 1407 EL +GS1A 9
- 1407 EM +GS0A 10
- 1410 LL -RDSYSCLK 3 11
- 1407 LT -UNLDRB 12
- 1403 AU +DBDP 13
- 1406 BJ -LGR4 14
- 1407 DS +ILLCNTEN 15
- 1407 DN +RDSYSENB 16

- 1414 JS +RBRDY0 2
- 1415 JU +RBRDY1 13
- 1416 JW +RBRDY2 5
- 1417 JY +RBRDY3 4
- 1418 KA +RBRDY4 3
- 1419 KC +RBRDY5 9
- 1420 KE +RBRDY6 10
- 1421 KH +RBRDY7 11

DRC 1118

TITLE		DOCUMENT NUMBER	
FORMATTER / READ		C CS 2924709-0-0	
LOC. A3A3	CROSS REF. NO. 1413	SHEET 13 OF 21	PAGE
SIZE CODE	NUMBER	CD	REV.
C CS	2924709-0-0		A

THIS DRAWING AND SPECIFICATIONS HEREIN ARE THE PROPERTY OF DIGITAL EQUIPMENT CORPORATION AND SHALL NOT BE REPRODUCED OR COPIED OR USED IN WHOLE OR IN PART AS THE BASIS FOR THE MANUFACTURE OR SALE OF ITEMS WITHOUT WRITTEN PERMISSION. COPYRIGHT © 1984 DIGITAL EQUIPMENT CORPORATION

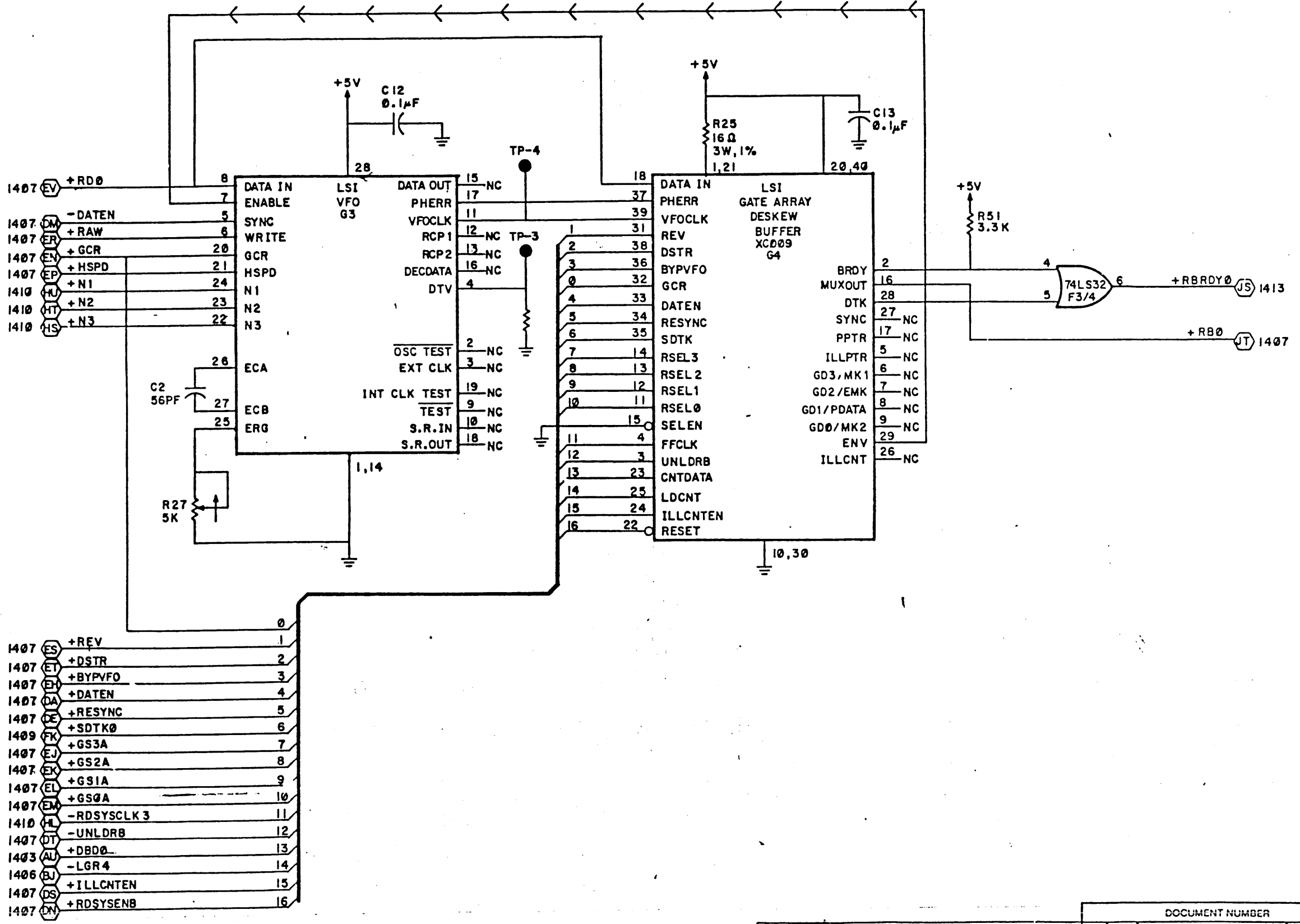
SEE SHEET '0' FOR REVISIONS

SIZE NUMBER
C CS 2924709-0-0
REV. A

C

B

A



- 1407 ES +REV 1
- 1407 ET +DSTR 2
- 1407 ET +BYPVFO 3
- 1407 EA +DATEN 4
- 1407 EA +RESYNC 5
- 1409 FK +SDTK0 6
- 1407 EJ +GS3A 7
- 1407 EK +GS2A 8
- 1407 EL +GS1A 9
- 1407 EM +GS0A 10
- 1410 FL -RDSYSCLK 3 11
- 1407 DT -UNLDRB 12
- 1403 AL +DBD0 13
- 1406 BJ -LGR 4 14
- 1407 DS +ILLCNTEN 15
- 1407 DN +RDSYSENB 16

D

C

A

A

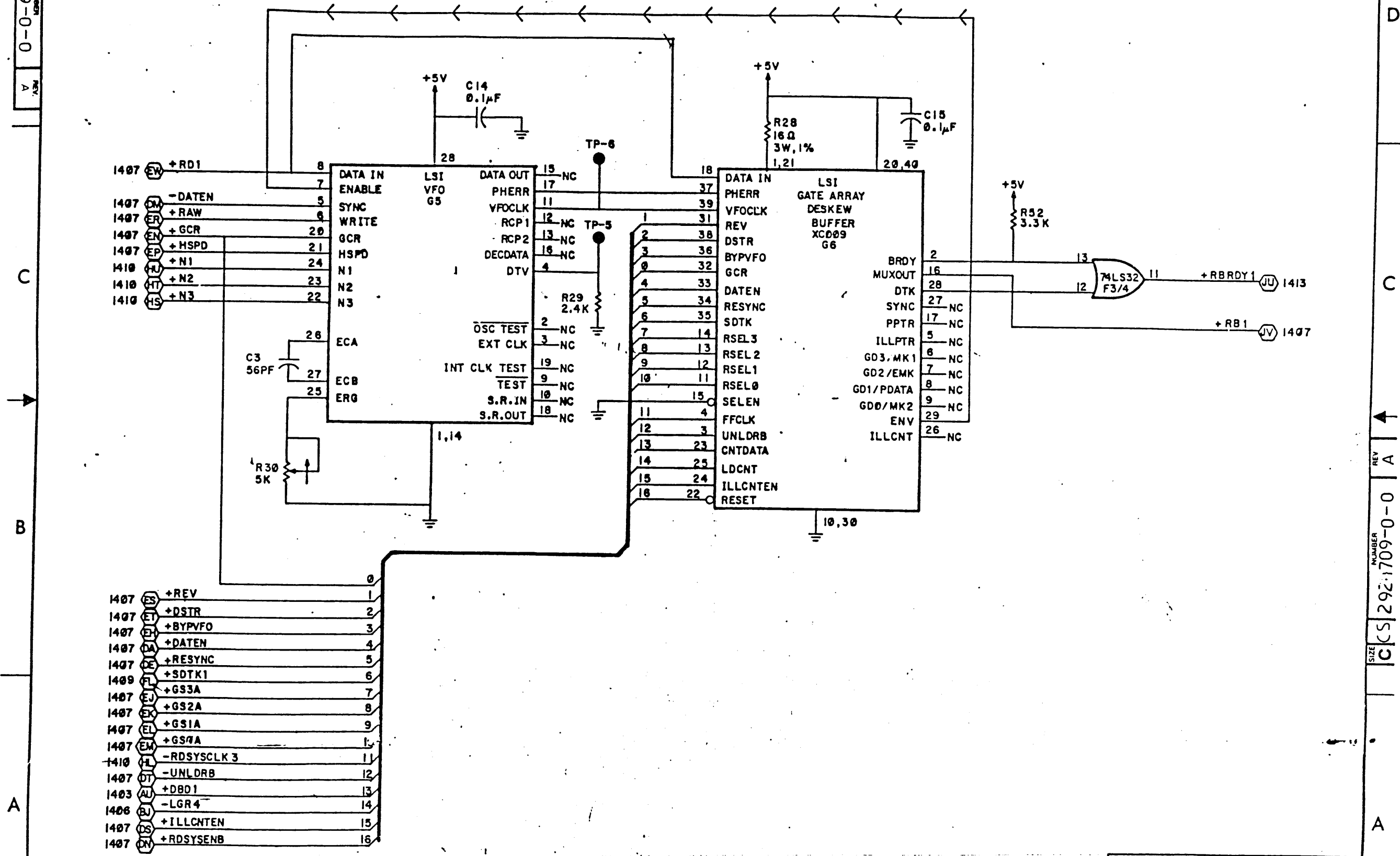
SIZE NUMBER
C CS 2924709-0-0
REV. A

TITLE		DOCUMENT NUMBER			
FORMATTER/READ LOC.A3A3		SIZE	CODE	NUMBER	CO. REV.
		C	CS	2924709-0-0	A
CROSS REF. NO.	1414	SHEET 14 OF 21		PAGE	

CS 2924709-0-0
 NUMBER
 REV. A

THIS DRAWING AND SPECIFICATIONS HEREIN ARE THE PROPERTY OF DIGITAL EQUIPMENT CORPORATION AND SHALL NOT BE REPRODUCED OR COPIED OR USED IN WHOLE OR IN PART AS THE BASIS FOR THE MANUFACTURE OR SALE OF ITEMS WITHOUT WRITTEN PERMISSION.
 COPYRIGHT © 1984 DIGITAL EQUIPMENT CORPORATION

SEE SHEET '0' FOR REVISIONS



- 1407 ES +REV 1
- 1407 ET +DSTR 2
- 1407 EV +BYPVFO 3
- 1407 EA +DATEN 4
- 1407 EC +RESYNC 5
- 1409 FL +SDTK1 6
- 1407 EJ +GS3A 7
- 1407 EK +GS2A 8
- 1407 EL +GS1A 9
- 1407 EM +GS0A 10
- 1410 HL -RDSYSCLK 3 11
- 1407 DT -UNLDRB 12
- 1403 AU +DBD1 13
- 1406 BU -LGR4 14
- 1407 DS +ILLCNTEN 15
- 1407 DV +RDSYSENB 16

TITLE		DOCUMENT NUMBER				
FORMATTER/READ LOC.A3A3		SIZE	CODE	NUMBER	CD	REV.
		C	CS	2924709-0-0		A
CROSS REF NO	1415	SHEET	15	OF	21	PAGE

DRC 1118

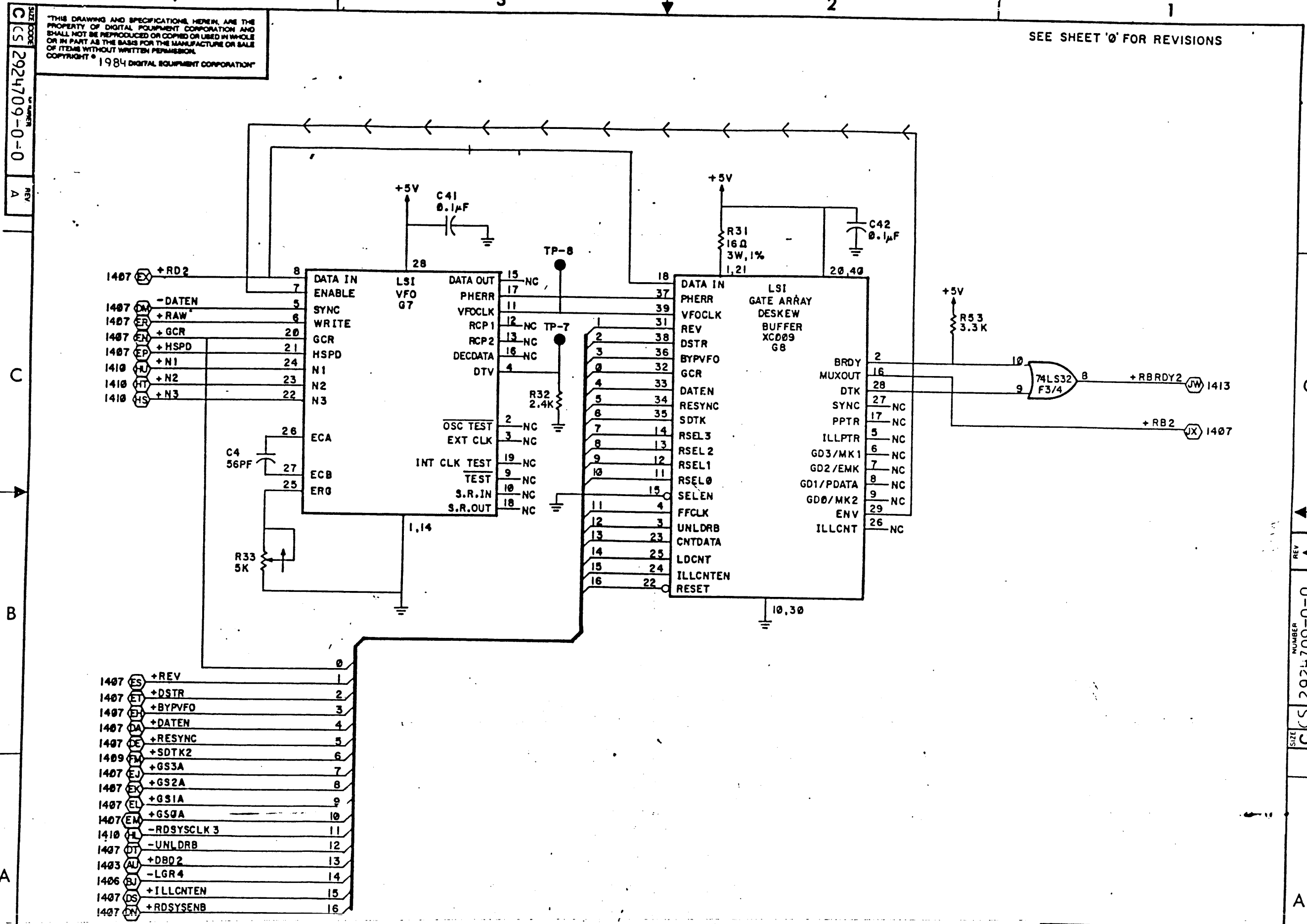
4

3

2

1

D
 C
 A
 REV A
 NUMBER
 CS 2924709-0-0
 SIZE



THIS DRAWING AND SPECIFICATIONS HEREIN ARE THE PROPERTY OF DIGITAL EQUIPMENT CORPORATION AND SHALL NOT BE REPRODUCED OR COPIED OR USED IN WHOLE OR IN PART AS THE BASIS FOR THE MANUFACTURE OR SALE OF ITEMS WITHOUT WRITTEN PERMISSION. COPYRIGHT © 1984 DIGITAL EQUIPMENT CORPORATION

SEE SHEET '0' FOR REVISIONS

SIZE CODE
CS 2924709-0-0
REV
A

C

B

A

- 1407 ES +REV 1
- 1407 ET +DSTR 2
- 1407 EH +BYPVFO 3
- 1407 EA +DATEN 4
- 1407 ED +RESYNC 5
- 1409 EM +SDTK2 6
- 1407 EJ +GS3A 7
- 1407 EK +GS2A 8
- 1407 EL +GS1A 9
- 1407 EM +GS0A 10
- 1410 HL -RDSYSCLK 3 11
- 1407 HT -UNLDRB 12
- 1403 AL +DBQ2 13
- 1406 BJ -LGR4 14
- 1407 DS +ILLCNTEN 15
- 1407 DN +RDSYSENB 16

TITLE		DOCUMENT NUMBER			
FORMATTER/READ		SIZE CODE	NUMBER	CD	REV.
LOC. A3A3		C CS	2924709-0-0		A
CROSS REF NO	1416	SHEET	16 OF 21	PAGE	

SIZE CODE
CS 2924709-0-0
REV
A

THIS DRAWING AND SPECIFICATIONS HEREIN ARE THE PROPERTY OF DIGITAL EQUIPMENT CORPORATION AND SHALL NOT BE REPRODUCED OR COPIED OR USED IN WHOLE OR IN PART AS THE BASIS FOR THE MANUFACTURE OR SALE OF ITEMS WITHOUT WRITTEN PERMISSION. COPYRIGHT © 1984 DIGITAL EQUIPMENT CORPORATION

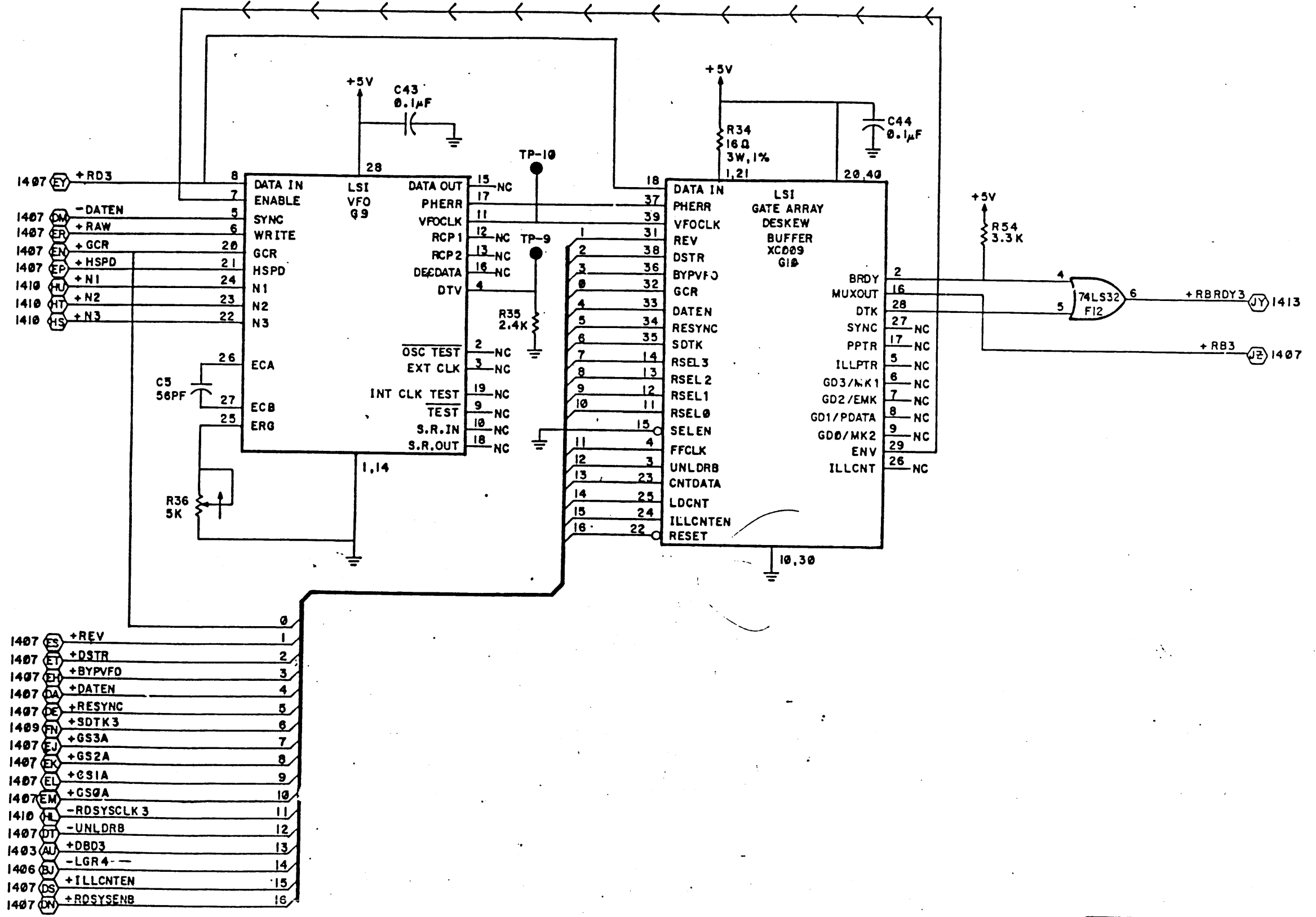
SEE SHEET '0' FOR REVISIONS

SIZE CODE
CS 2924709-0-0
REV. A

C

B

A



D

C

A

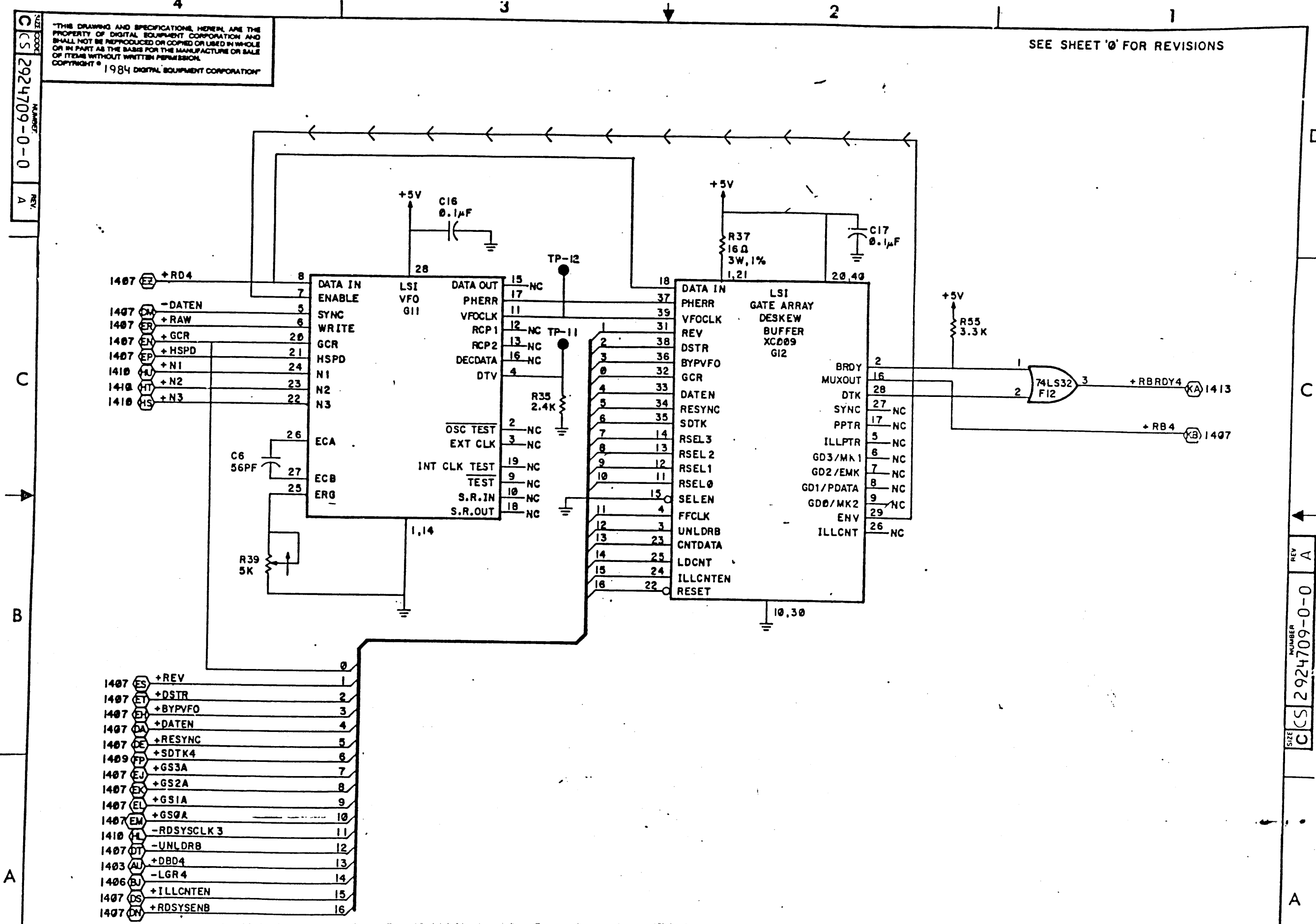
SIZE CODE
CS 2924709-0-0
REV. A

A

TITLE		DOCUMENT NUMBER			
FORMATTER/READ		SIZE CODE	NUMBER	CD	REV.
LOC.A3A3		C CS	2924709-0-0		A
CROSS REF. NO	1417	SHEET 17 OF 21		PAGE	

THIS DRAWING AND SPECIFICATIONS HEREIN ARE THE PROPERTY OF DIGITAL EQUIPMENT CORPORATION AND SHALL NOT BE REPRODUCED OR COPIED OR USED IN WHOLE OR IN PART AS THE BASIS FOR THE MANUFACTURE OR SALE OF ITEMS WITHOUT WRITTEN PERMISSION. COPYRIGHT © 1984 DIGITAL EQUIPMENT CORPORATION

SEE SHEET '0' FOR REVISIONS



2924709-0-0
 REV. A

C

B

A

D

C

REV. A

A

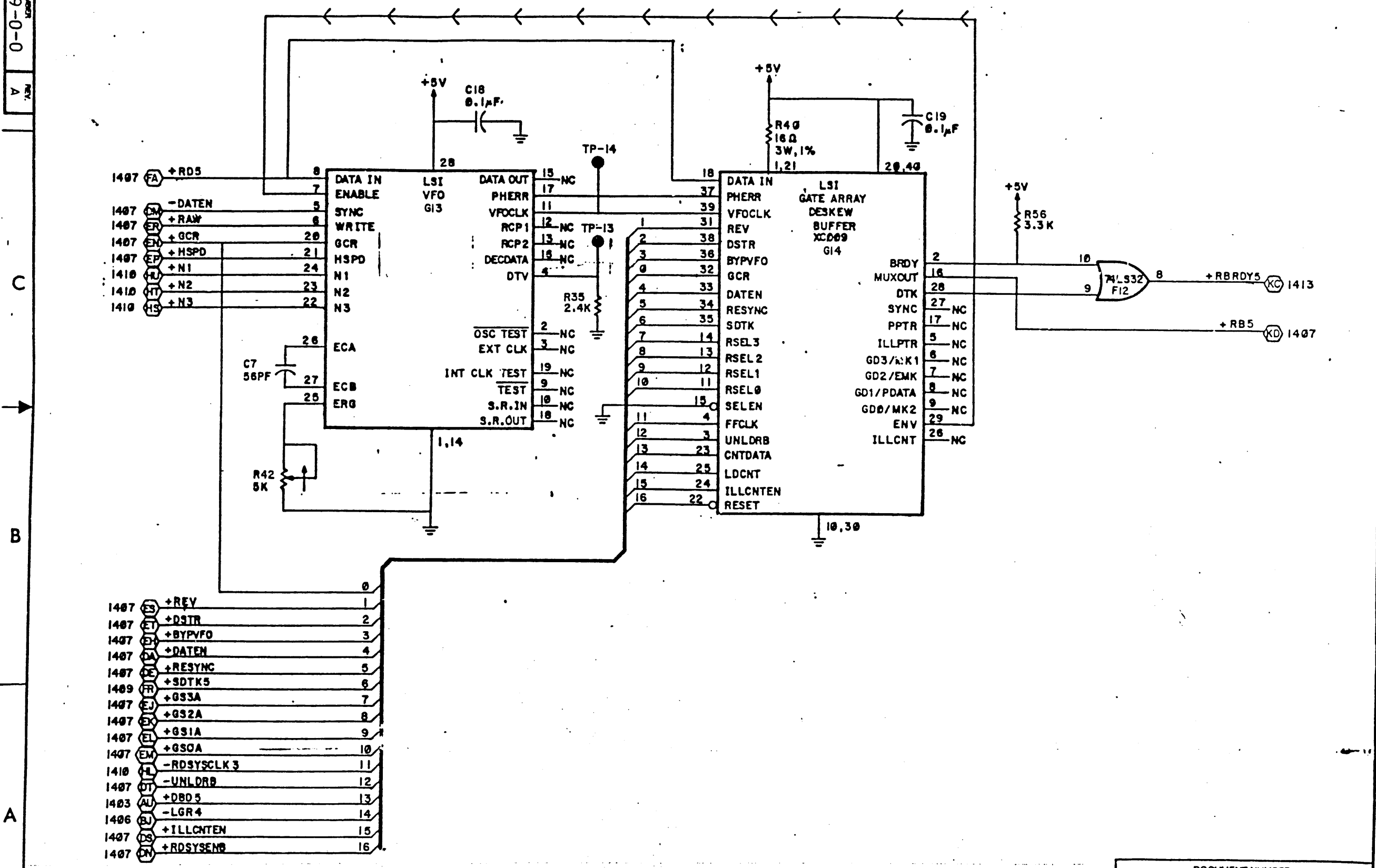
SIZE NUMBER
 C S 2924709-0-0

TITLE		DOCUMENT NUMBER			
FORMATTER/READ		SIZE	CODE	NUMBER	CD REV
LOC.A3A3		C	S	2924709-0-0	A
CROSS REF. NO.	1418	SHEET 18 OF 21		PAGE	

CS 2924709-0-0
REV. A

THE DRAWING AND SPECIFICATIONS HEREIN ARE THE PROPERTY OF DIGITAL EQUIPMENT CORPORATION AND SHALL NOT BE REPRODUCED OR COPIED IN WHOLE OR IN PART AS THE BASIS FOR THE MANUFACTURE OR SALE OF ITEMS WITHOUT WRITTEN PERMISSION. COPYRIGHT © 1984 DIGITAL EQUIPMENT CORPORATION

SEE SHEET 0 FOR REVISIONS



- 1407 +REV 1
- 1407 +DSTR 2
- 1407 +BYPVFO 3
- 1407 +DATEN 4
- 1407 +RESYNC 5
- 1409 +SDTK5 6
- 1407 +G33A 7
- 1407 +G32A 8
- 1407 +G31A 9
- 1407 +G30A 10
- 1407 -RDSYCLK3 11
- 1410 -UNLDRB 12
- 1407 +DBD5 13
- 1406 -LGR4 14
- 1407 +ILLCNTEN 15
- 1407 +RDSYSENB 16

TITLE		DOCUMENT NUMBER			
FORMATTER/READ		SIZE	CODE	NUMBER	CD. REV.
LOC. A3A3		C	CS	2924709-0-0	A
CROSS REF. NO.	1419	SHEET 19 OF 21		PAGE	

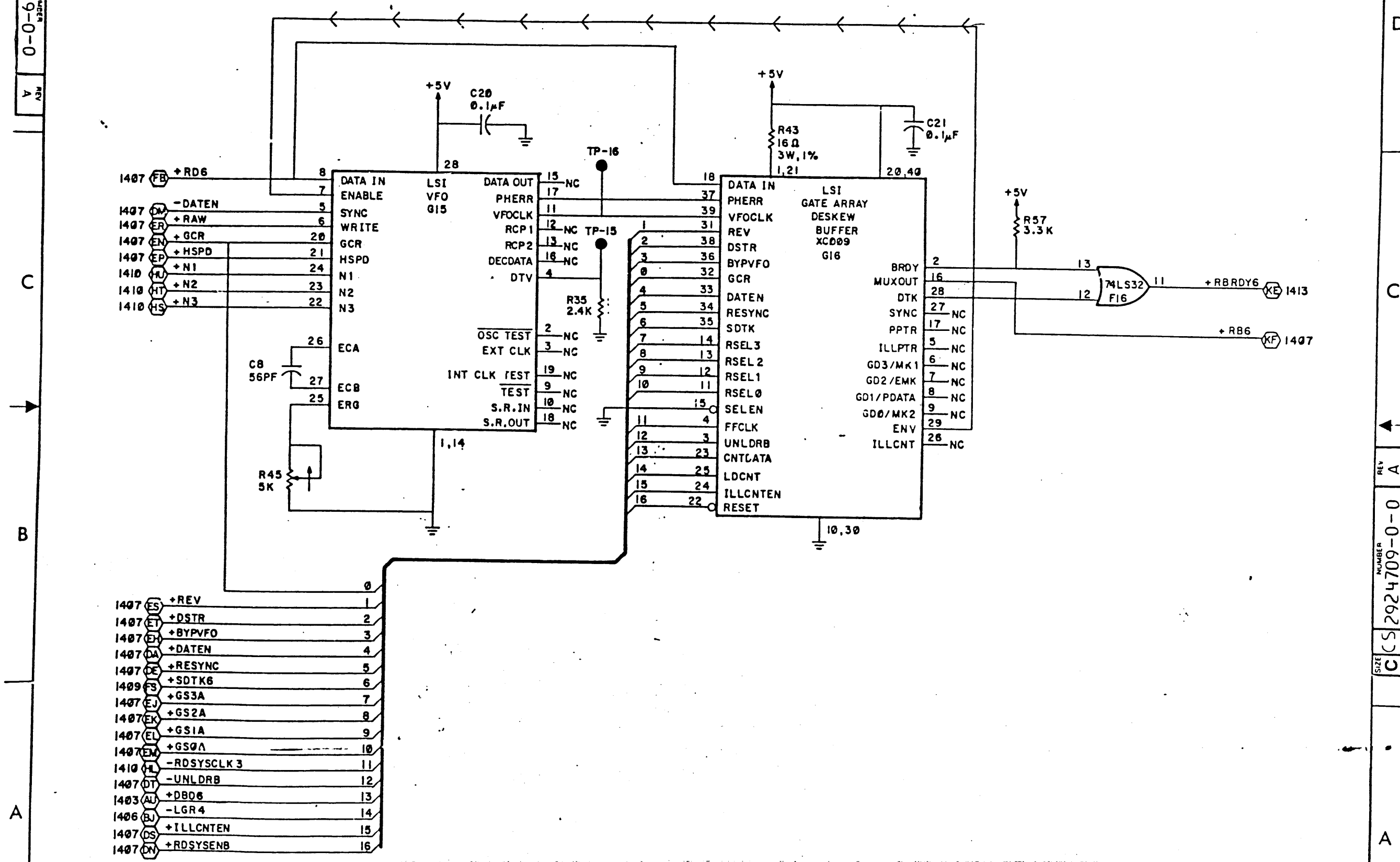
DRC 111B

REV. A
NUMBER 2924709-0-0
SIZE C

SIZE CODE
 CS 2924709-0-0
 REV A

THIS DRAWING AND SPECIFICATIONS HEREIN ARE THE PROPERTY OF DIGITAL EQUIPMENT CORPORATION AND SHALL NOT BE REPRODUCED OR COPIED OR USED IN WHOLE OR IN PART AS THE BASIS FOR THE MANUFACTURE OR SALE OF ITEMS WITHOUT WRITTEN PERMISSION.
 COPYRIGHT © 1984 DIGITAL EQUIPMENT CORPORATION

SEE SHEET '0' FOR REVISIONS



C
 B
 A

D
 C
 A

REV A
 NUMBER CS 2924709-0-0
 SIZE

TITLE		DOCUMENT NUMBER			
FORMATTER/READ		SIZE	CODE	NUMBER	CD
LOC.A3A3		C	CS	2924709-0-0	A
CROSS REF NO	1420	SHEET 20 OF 21		PAGE	

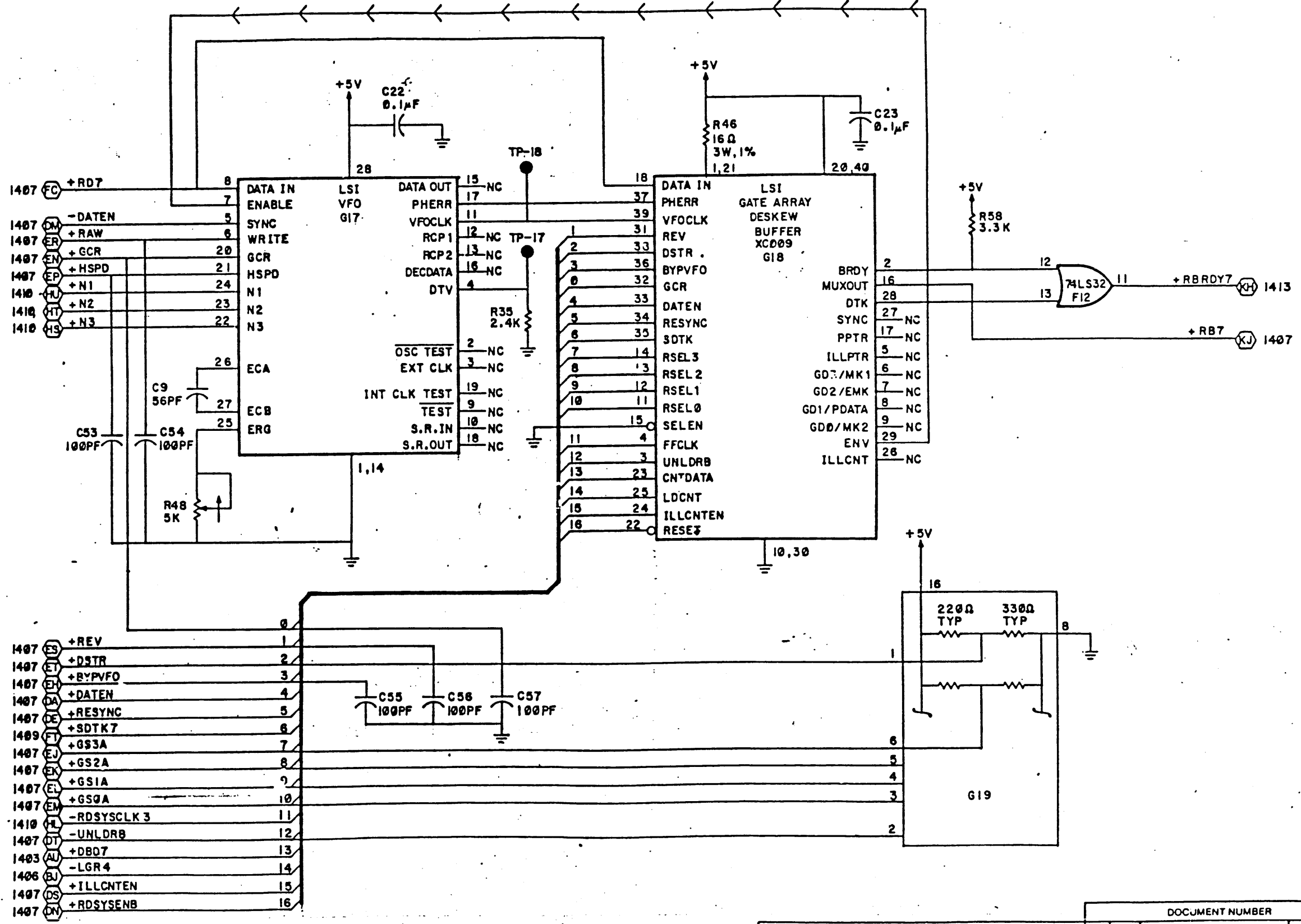
THIS DRAWING AND SPECIFICATIONS HEREIN ARE THE PROPERTY OF DIGITAL EQUIPMENT CORPORATION AND SHALL NOT BE REPRODUCED OR COPIED OR USED IN WHOLE OR IN PART AS THE BASIS FOR THE MANUFACTURE OR SALE OF ITEMS WITHOUT WRITTEN PERMISSION.
 COPYRIGHT © 1984 DIGITAL EQUIPMENT CORPORATION

SEE SHEET 'D' FOR REVISIONS

SIZE CODE
 CS 2924709-0-0
 A

C
 B

A



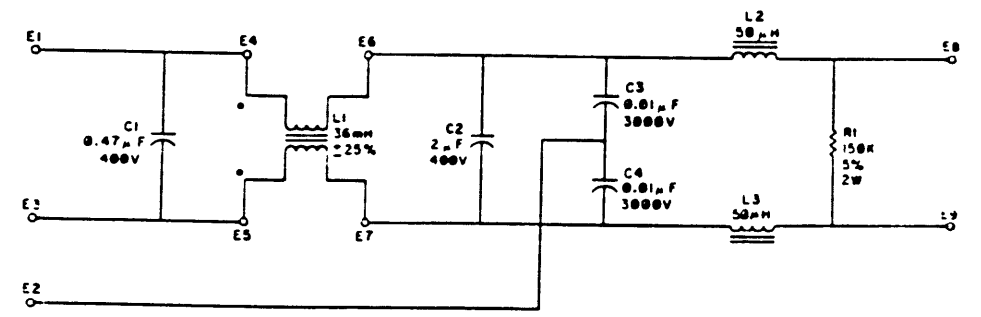
- 1407 ES +REV 1
- 1407 ET +DSTR 2
- 1407 EH +BYPVFO 3
- 1407 EA +DATEN 4
- 1407 ED +RESYNC 5
- 1409 FT +SDTK7 6
- 1407 EU +GS3A 7
- 1407 EK +GS2A 8
- 1407 EL +GS1A 9
- 1407 EM +GS0A 10
- 1410 FL -RDSYSCLK 3 11
- 1407 DT -UNLDRB 12
- 1403 AL +DBD7 13
- 1406 BJ -LGR4 14
- 1407 DS +ILLCNTEN 15
- 1407 DN +RDSYSENB 16

REV A
 NUMBER CS 2924709-0-0
 SIZE

TITLE		DOCUMENT NUMBER			
FORMATTER/READ LOC. A3A3		SIZE	CODE	NUMBER	CD REV
		C	CS	2924709-0-0	A
CROSS REF NO	1421	SHEET 21 OF 21		PAGE	

THIS DRAWING AND SPECIFICATIONS HEREIN ARE THE PROPERTY OF DIGITAL EQUIPMENT CORPORATION AND SHALL NOT BE REPRODUCED OR COPIED OR LOANED OR RENTED OR IN ANY MANNER FOR THE MANUFACTURE OR SALE OF ITEMS WITHOUT WRITTEN PERMISSION.
COPYRIGHT © 1964 DIGITAL EQUIPMENT CORPORATION

SEE SHEET 0 FOR REVISIONS



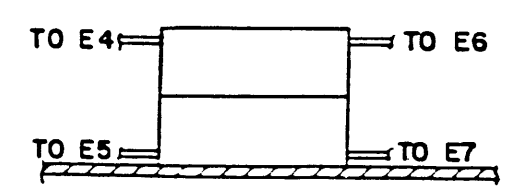
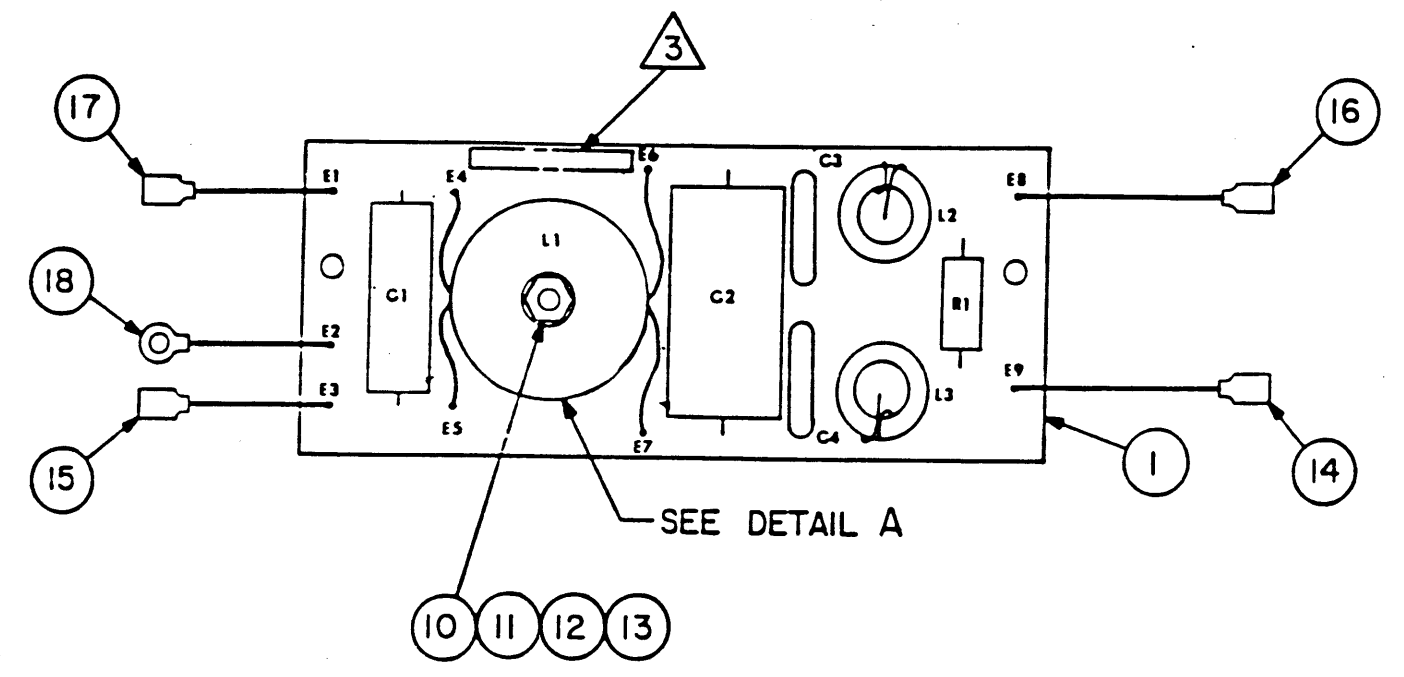
REV	
CHANGE NO	
REVISIONS	

77022970

DRN	FIRST USED ON	digital
CHK D	TITLE	
ENG		
PROJ. ENG.		
PROD.		
NEXT HIGHER ASSY		LCC 1-1A
SCALE	SIZE CODE	NUMBER
SAFET	D	2924227-0-0
OF	DIST	REV
1	SHR	1

2924227-0-0

SHEET REVISION STATUS				REVISION RECORD					
REV	ECO	DESCRIPTION	DRFT	DATE	CHKD	APP			
2									
01	01	PB50882		11-11-64					
A	A	PB51244	ATD	9/1/63					
B	D	PB51252	DJA	5-22-64					



DETAIL A
SCALE - NONE

PL 77041271
LN 77041270
DETACHED LISTS

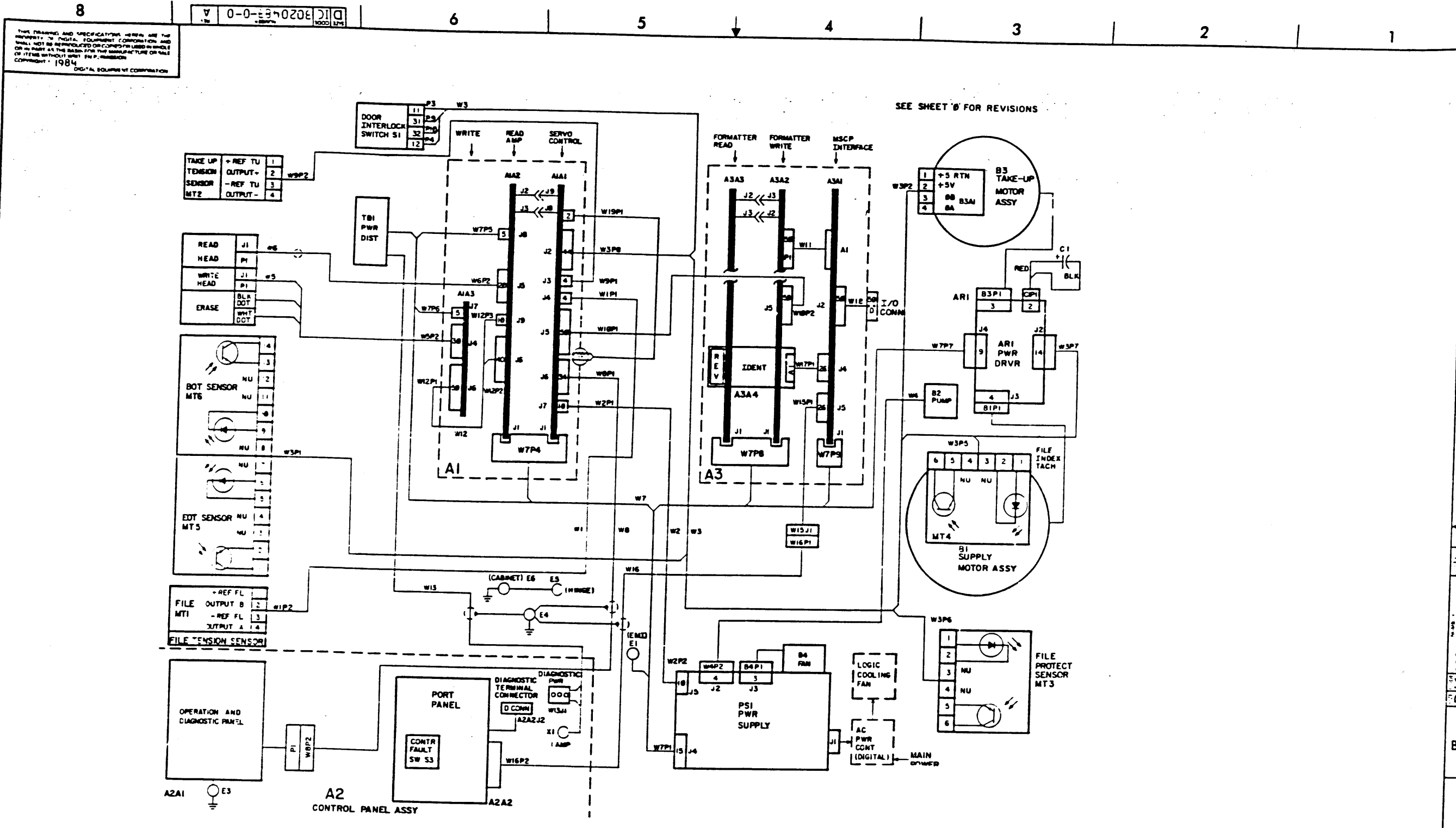
STANDARD MFG. PRACTICES SHALL BE ADHERED TO PER WORKMANSHIP MANUAL SPEC. NO. 10120300

UNLESS OTHERWISE SPECIFIED DIMENSIONS ARE IN INCHES TOLERANCES 2 PLACE 3 PLACE ANGLES ±.002 ±.005 ±3°30'	DRWN <i>[Signature]</i> 9/9/62 CHKD <i>[Signature]</i> 11/9/62 ENGR <i>[Signature]</i> 11/9/62 MFG <i>[Signature]</i> 11/9/62 QA <i>[Signature]</i> 11/9/62 EQUIP NO TTGS25-75	COMPUTER PERIPHERALS INC. TAPE PRODUCTS DIV. G.D. CENTER CHALLENGER NORRISTOWN, PA. 19403
TITLE PWA LINE FILTER		SIZE C UA DRWG NO. 2924227-0-0
THIRD ANGLE PROJECTION		SCALE 1/1 RMA SHEET OF 1

D
C
B
A

D
C
A

11A 2924227-0-0



THIS DRAWING AND SPECIFICATIONS HEREAFTER ARE THE PROPERTY OF DIGITAL EQUIPMENT CORPORATION AND SHALL NOT BE REPRODUCED OR COPIED IN WHOLE OR IN PART AS THE BASIS FOR THE MANUFACTURE OR SALE OF ITEMS WITHOUT WRITTEN PERMISSION. COPYRIGHT © 1984 DIGITAL EQUIPMENT CORPORATION.

SEE SHEET 'B' FOR REVISIONS

REV	INITIALS	DATE
1		
2		
3		
4		

SHT 2 IS "C" SIZE

77022970

DESIGNED BY	NORM WELLS	DATE	14-AUG-84	TITLE	digital
DRAWN BY	STEVE LUNKINS	DATE	14-AUG-84	WIRING DIAGRAM	
CHECKED BY	STEVE LUNKINS	DATE	14-AUG-84	POWER SUPPLY & CABINET	
APPROVED BY	STEVE LUNKINS	DATE	14-AUG-84	50/60 HZ	
DATE	14-AUG-84	DATE	14-AUG-84	DOCUMENT NUMBER	
DATE	14-AUG-84	DATE	14-AUG-84	DIC 3020483-0-0	A
DATE	14-AUG-84	DATE	14-AUG-84		

D I C 3020483-0-0

B

A

8

7

6

5

4

3

2

SHR

1